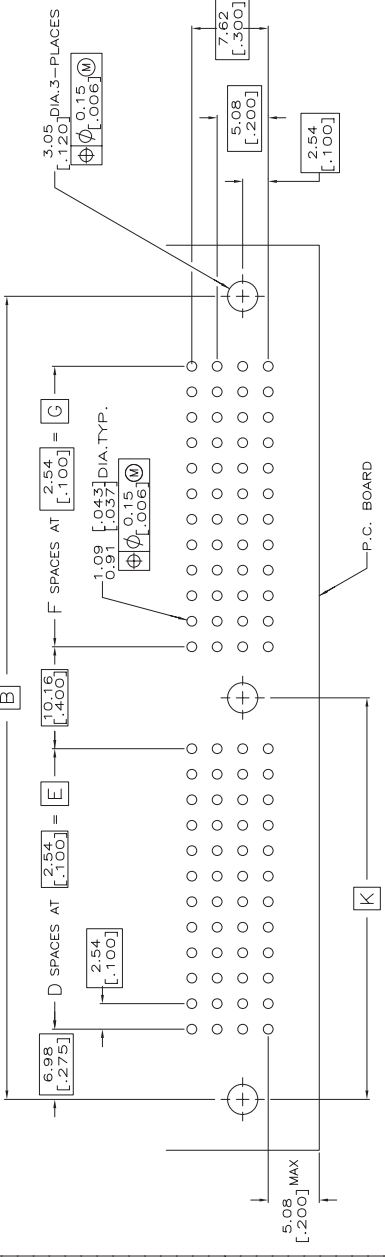
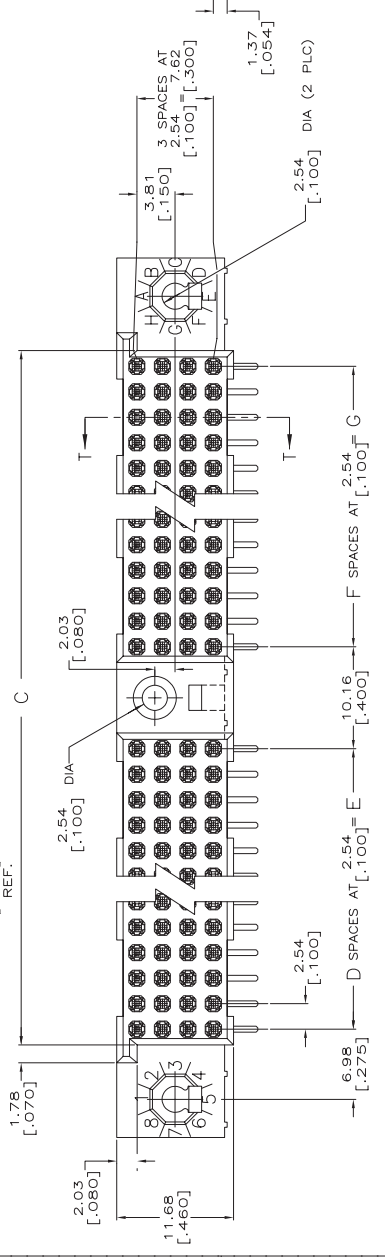
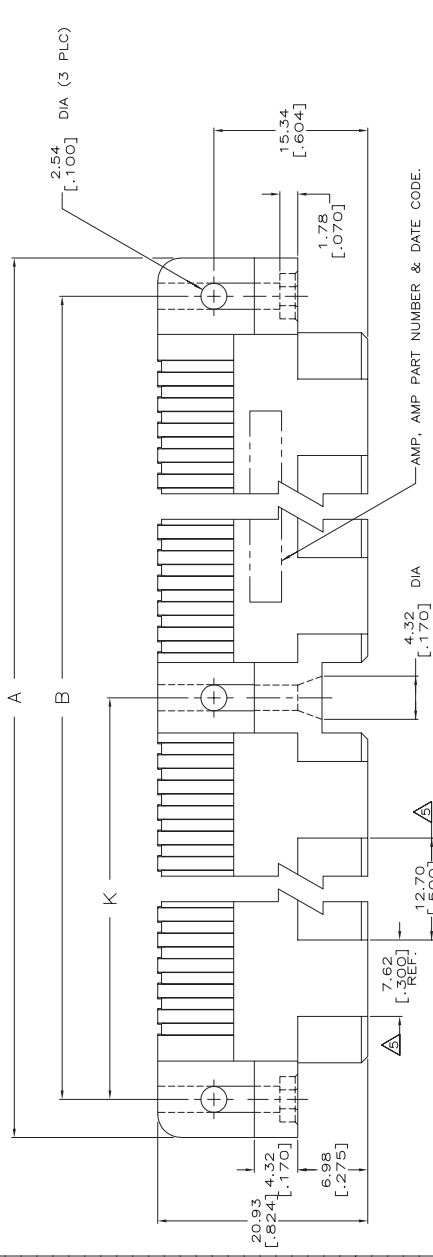
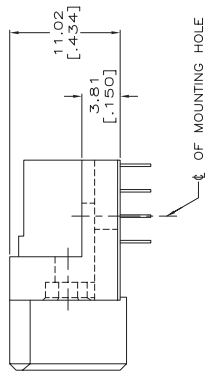


- △ HOUSING MATERIAL: THERMOPLASTIC.
- △ CONTACT MATERIAL: COPPER ALLOY.
- △ CONTACT FINISH: .00127-.00284 [.000050-.000100] NICKEL UNDERPLATE, ALL OVER; .00076 [.000030] GOLD PLATE IN CONTACT AREA, TIN PLATED SOLDER TAILS.
- △ SOLDER TAILS MUST FIT HOLE PATTERN AS SHOWN ON THE RECOMMENDED P.C. BOARD LAYOUT.
- △ QUANTITIES OF VOID CORING ARE DEPENDENT ON THE POSITION SIZE OF THE HOUSING.



RECOMMENDED P.C. BOARD LAYOUT △



SECTION T-T

K	G	F	E	D	C	B	A	POSN	PART NUMBER
164.46	152.40	60	318.11	328.93	336.55	488	5533443-8		
[6.475]	[6.000]	[6.000]	[12.524]	[12.950]	[13.250]				
141.60	129.54	51	272.39	283.21	290.83	416	5533443-5		
[5.575]	[5.100]	[5.100]	[10.724]	[11.150]	[11.450]				