

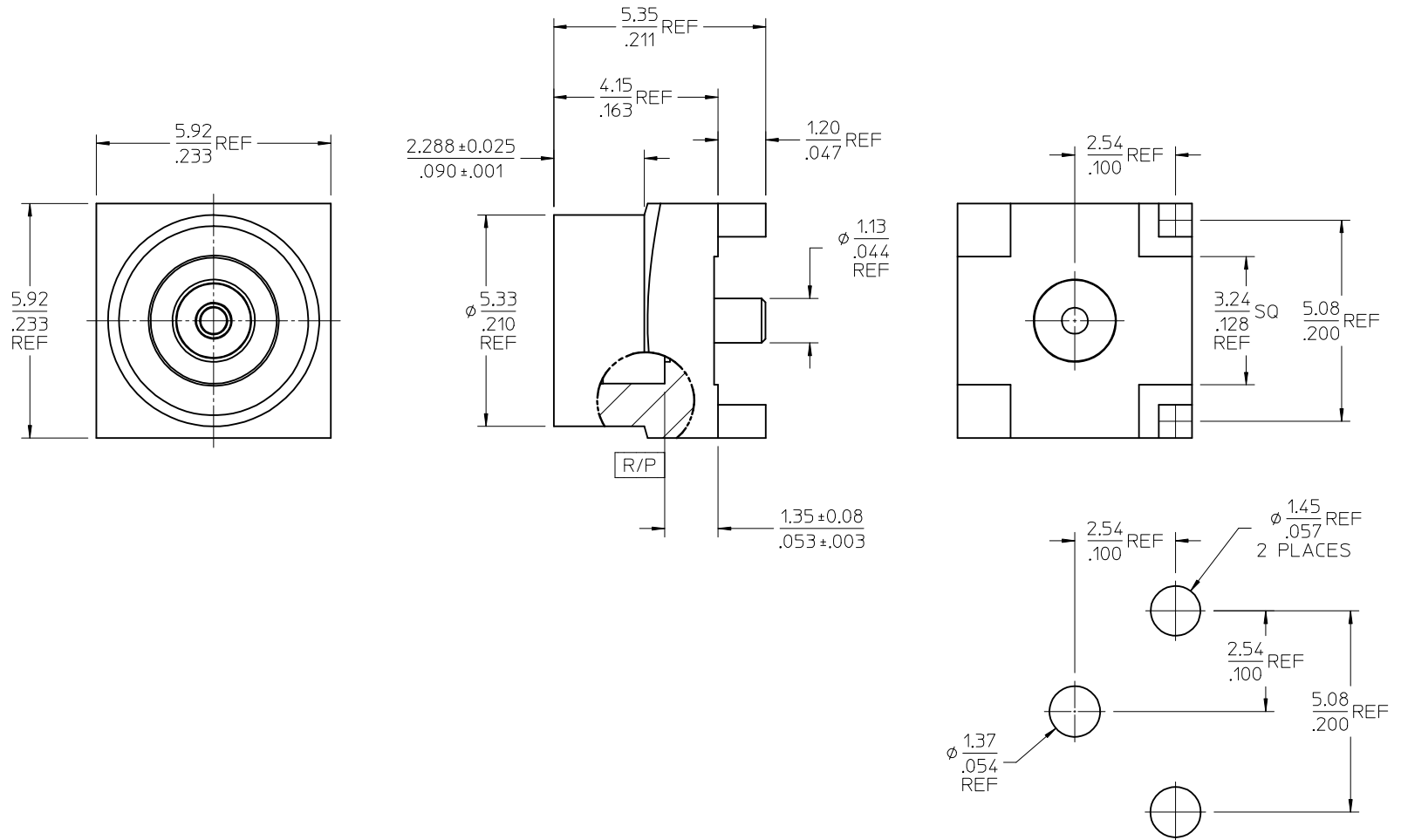
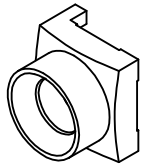
MATERIALS AND FINISHES:

BODY, CONTACT: BRASS
 PLATED: GOLD (30μ-in MIN)
 OVER NICKEL (100μ-in MIN)

INSULATOR: PTFE

KAPTON: POLYIMIDE
 COLOR: BLACK

SEE SHEET 2 & 3 FOR
 TAPE AND REAL INSTRUCTION



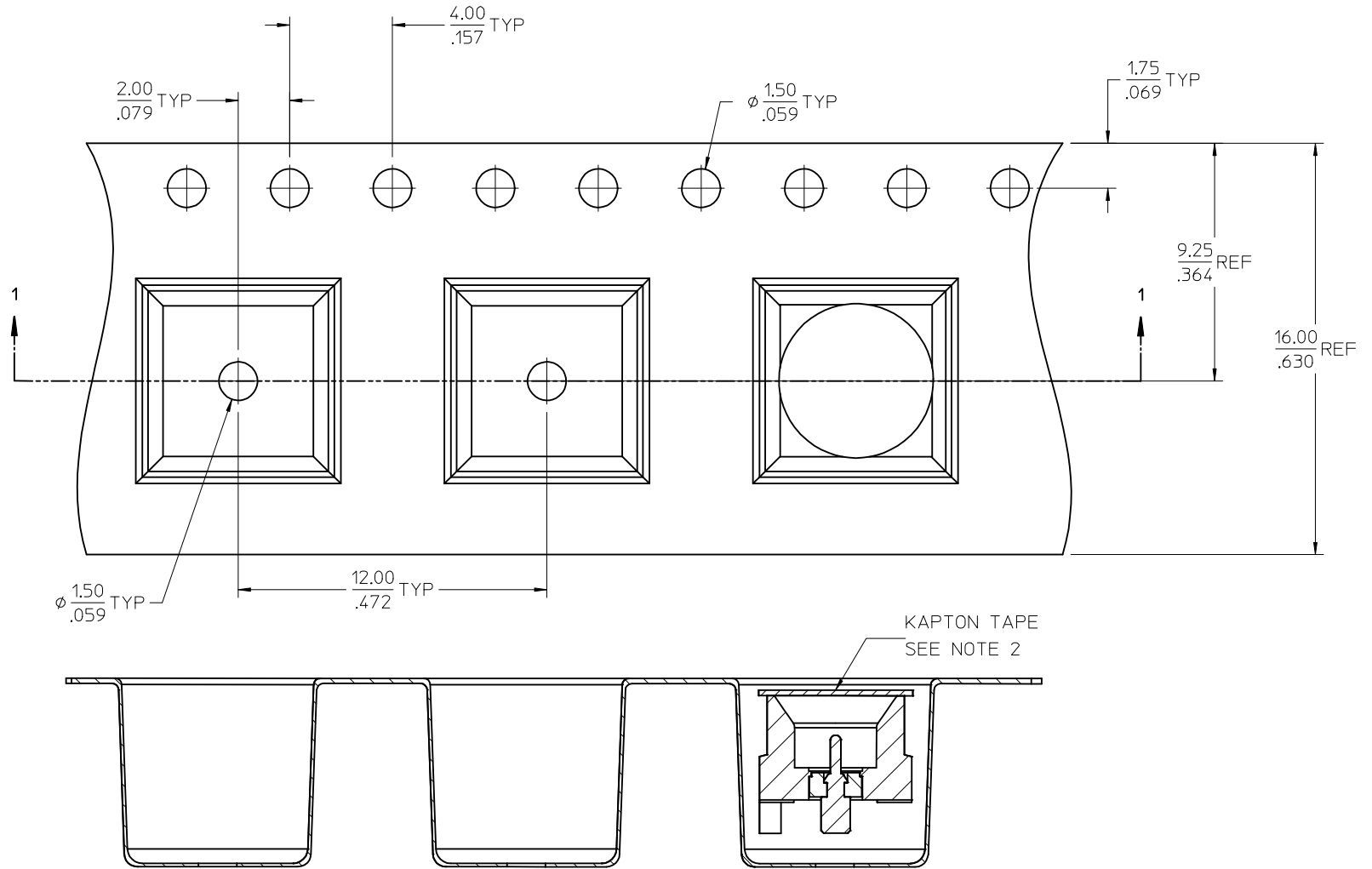
RECOMMENDED PCB LAYOUT

PART # 73415-4800

PS-89675-3320		PRODUCT SPECIFICATION	CHG: REDRAWN EC NO: URF2017-0403 DRW:APRAKASH01 2017/06/05 CHKD:BBB 2017/06/05 APPR:AROBERTSON 2017/06/29	QUALITY SYMBOLS ▽=0 ▽=0 ▽=0	GENERAL TOLERANCES (UNLESS SPECIFIED)		DIMENSION STYLE MM/IN		SCALE	DESIGN UNITS	THIRD ANGLE PROJECTION	
MIL-STD-348B, FIG. 326.5		INTERFACE			4 PLACES ± --- ± --- 3 PLACES ± --- ±.010 2 PLACES ± 0.25 ± --- 1 PLACE ± --- ± --- 0 PLACE ± --- ± ---		DRAWN BY DATE DARRY 2004/03/17		TITLE SMP PLUG 50 OHM PCB SMP-P/PCB			
SPECIFICATION		DESCRIPTION			ANGULAR ± --- °		CHECKED BY DATE KERRIE 2004/03/17		APPROVED BY DATE MISEN 2004/03/17			
			REV: F1		DRAFT WHERE APPLICABLE MUST REMAIN WITHIN DIMENSIONS		MATERIAL NO. 734154800		DOCUMENT NO. SD-73415-480		SHEET NO. 1 OF 3	

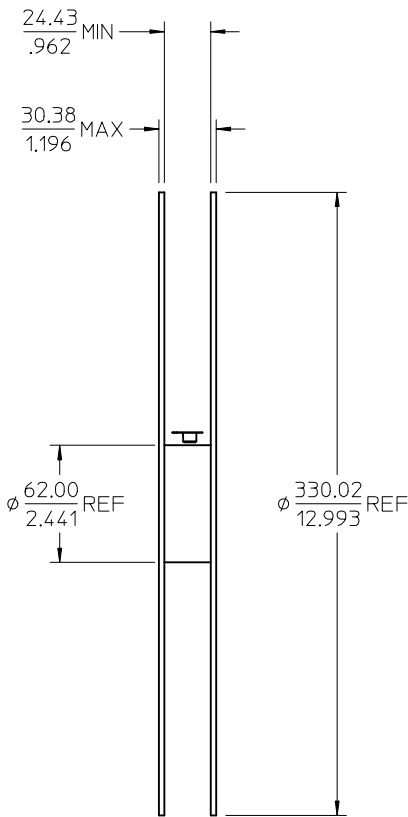
NOTE:

1. 10 PITCHES CUMULATIVE TOLERANCE ±.008(0.20)
2. KAPTON TAPE OR EQUIVALENT MUST BE PLACED ON TOP OF THE CONNECTOR ASSEMBLY FOR PICK AND PLACE.

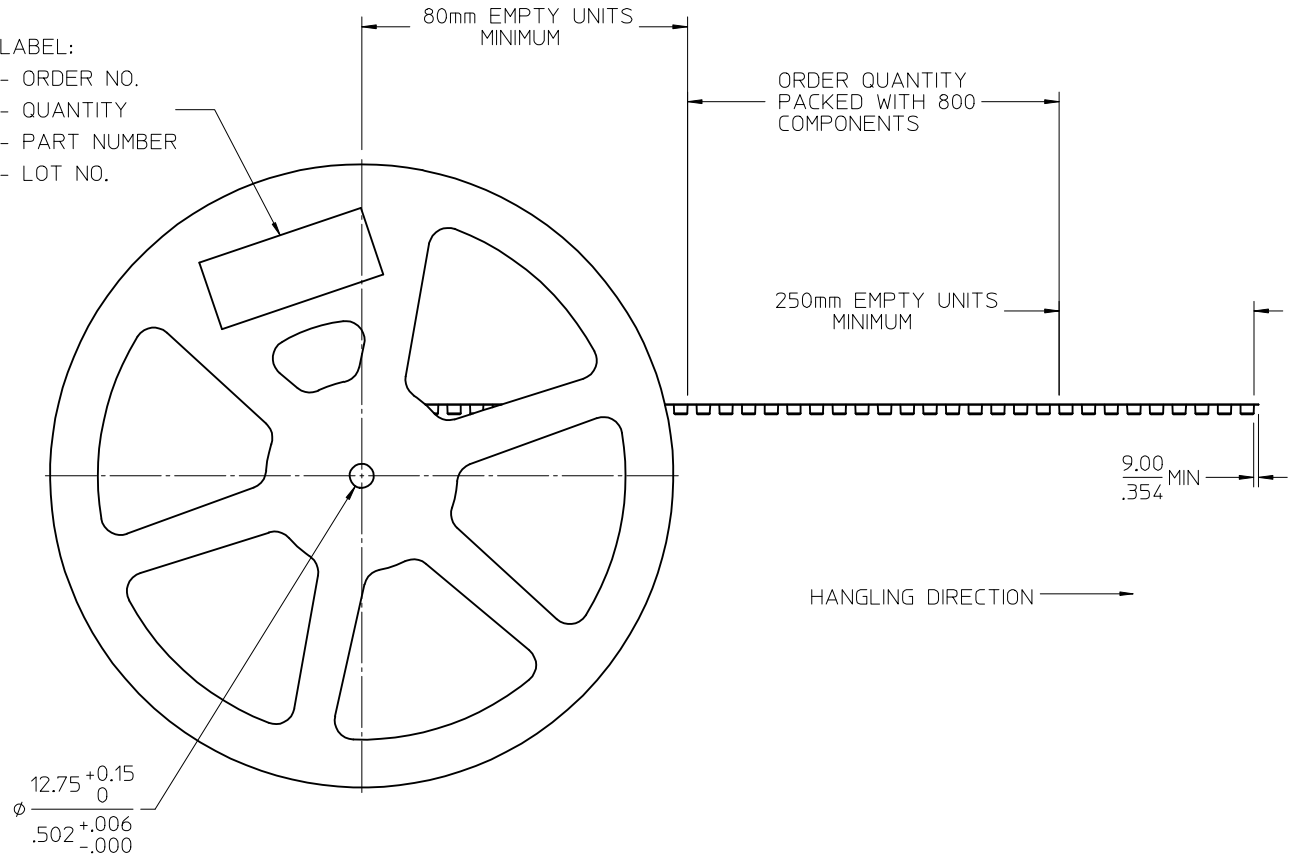


Section 1-1

CHG: SEE SHEET 1 EC NO: URF2017-0403 DRWN:APRAKASHO1 2017/06/05 CHKD:BBB 2017/06/05 APPR:AROBERTSON 2017/06/29	QUALITY SYMBOLS ▽=0 ▽=0 ▽=0	GENERAL TOLERANCES (UNLESS SPECIFIED)		DIMENSION STYLE MM/IN	SCALE	DESIGN UNITS METRIC	THIRD ANGLE PROJECTION	
		4 PLACES ± --- ± --- 3 PLACES ± --- ±.010 2 PLACES ± 0.25 ± --- 1 PLACE ± --- ± --- 0 PLACE ± --- ± ---	mm INCH	DRAWN BY DARRY	DATE 2004/03/17	TITLE SMP PLUG 50 OHM PCB SMP-P/PCB		SHEET NO. 2 OF 3
		ANGULAR ± --- °		CHECKED BY KERRIE	DATE 2004/03/17			
		DRAFT WHERE APPLICABLE MUST REMAIN WITHIN DIMENSIONS		APPROVED BY MISEN	DATE 2004/03/17	DOCUMENT NO. SD-73415-480		



LABEL:
- ORDER NO.
- QUANTITY
- PART NUMBER
- LOT NO.



CHG: SEE SHEET 1 EC NO: URF2017-0403 DRWN:APRAKASHO1 2017/06/05 CHKD:BBB 2017/06/05 APPR:AROBERTSON 2017/06/29	QUALITY SYMBOLS 	GENERAL TOLERANCES (UNLESS SPECIFIED)		DIMENSION STYLE MM/IN	SCALE METRIC	DESIGN UNITS METRIC	THIRD ANGLE PROJECTION		
		4 PLACES ± --- ± ---	3 PLACES ± --- ± .010	DRAWN BY DARRY	DATE 2004/03/17	TITLE SMP PLUG 50 OHM PCB SMP-P/PCB			
		2 PLACES ± 0.25 ± ---	1 PLACE ± --- ± ---	CHECKED BY KERRIE	DATE 2004/03/17				
		0 PLACE ± --- ± ---	ANGULAR ± --- °	APPROVED BY MISEN	DATE 2004/03/17	MATERIAL NO. SEE SHEET 1	DOCUMENT NO. SD-73415-480	SHEET NO. 3 OF 3	
T1	DRAFT WHERE APPLICABLE MUST REMAIN WITHIN DIMENSIONS	THIS DRAWING CONTAINS INFORMATION THAT IS PROPRIETARY TO MOLEX INCORPORATED AND SHOULD NOT BE USED WITHOUT WRITTEN PERMISSION							