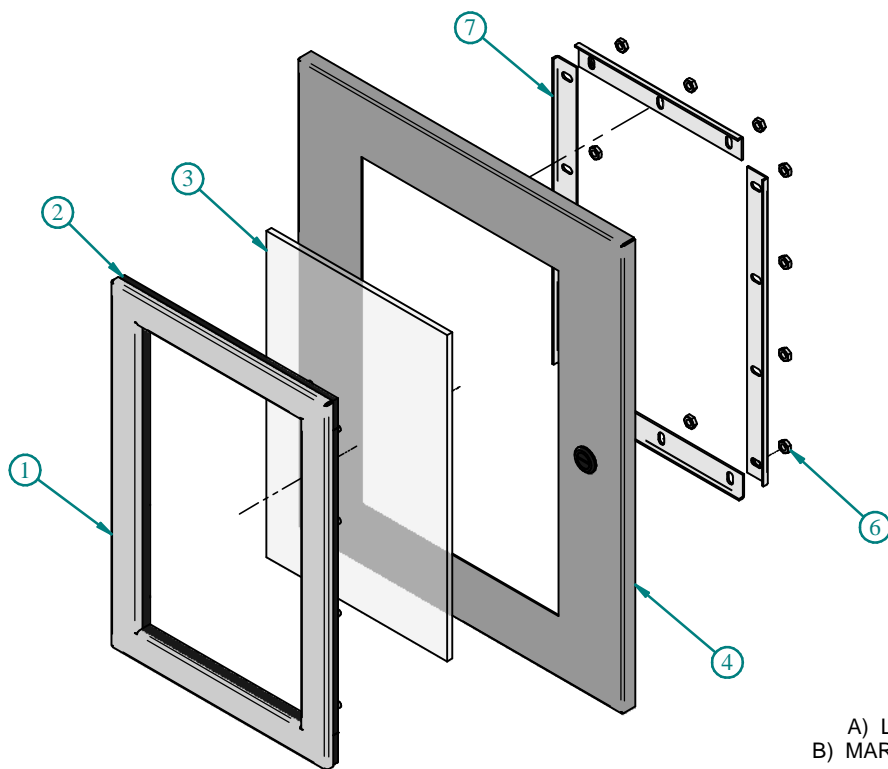


1481WN4 - SERIES

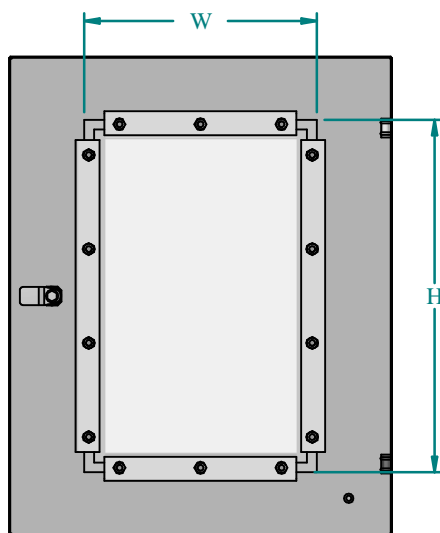
ASSEMBLY INSTRUCTIONS FOR 1481 - WINDOW KITS



ITEM #	DESCRIPTION
1	1481 WINDOW FRAME
2	GSK. ROGERS 3/8 X 1-1/4
3	6MM CLEAR PLEXI
4	ENCLOSURE COVER (REF.)
6	NUT 1/4-20 HEX KEP ZP
7	1481W - CLAMP BRACKET

INSTRUCTIONS :

- A) LOCATE WINDOW KIT IN DESIRED LOCATION.
- B) MARK CUTOUT USING CHART TO CONFIRM PROPER CUTOUT SIZE.
- C) CUT OPENING AND FILE SHARP EDGES.
- D) INSTALL WINDOW INTO PLACE (AS SHOWN) USING SUPPLIED HARDWARE.
- E) TIGHTEN FASTENERS UNTIL THE WINDOW FRAME IS FLUSH AGAINST THE ENCLOSURE COVER.



VIEWED FROM INSIDE OF COVER

PART SHOWN -

PART NUMBER		CUTOUT SIZE [in]	
(MILD STEEL)	(STAINLESS STEEL)	H	W
1481WN40503*	1481WN4SS0503*	6.69	4.69
1481WN40905	1481WN4SS0905	10.69	7.19
1481WN41303*	---	14.69	4.69
1481WN41308	1481WN4SS1308	14.69	9.69
1481WN41705	---	18.69	7.19
1481WN41711	1481WN4SS1711	18.69	12.69
1481WN42315	1481WN4SS2315	24.69	16.69
1481WN42919	1481WN4SS2919	30.69	20.69
1481WN43523	---	36.69	24.69

* HORIZONTAL CLAMP BRACKETS NOT REQUIRED

