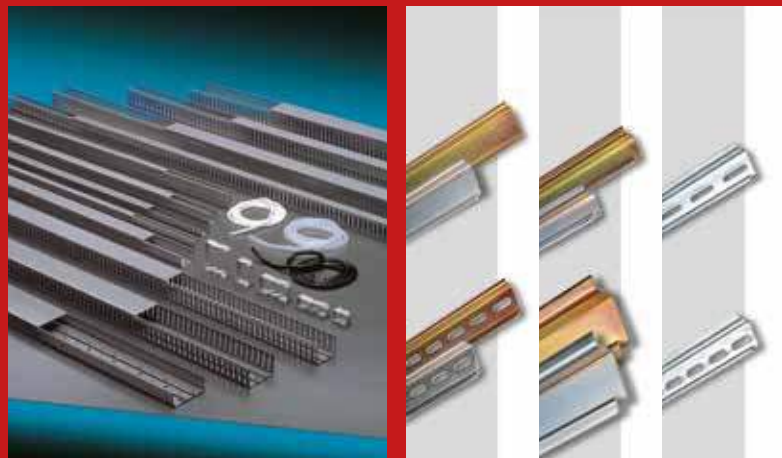


PLASTIC BOXES - WIRE DUCTS - DIN RAILS - CABLE TIES



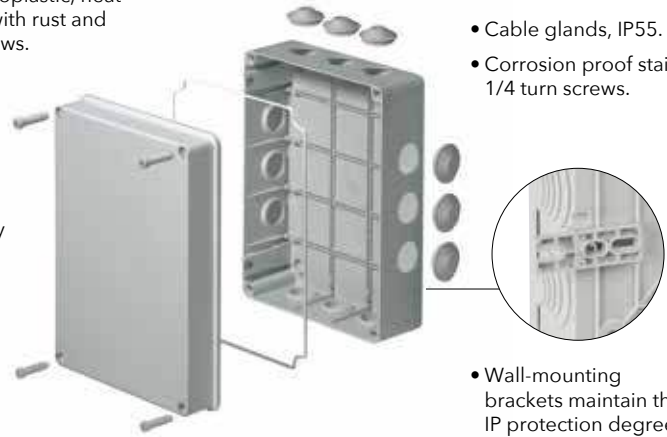


www.tecnomatic.com



TECHNICAL SPECIFICATIONS

- Material: ABS thermoplastic, heat resistant to 650°C, with rust and corrosion proof screws.
- Halogen free and RoHS compliant.
- Colour: Ral 7035 gray.
- Temperature: Dimensional stability between -25 to +70°C
- Impact resistance: up to 6J
- Ratings: IP56 or IP55 with cable glands.



- Cable glands, IP55.
- Corrosion proof stainless steel or plastic 1/4 turn screws.

- Metal mounting plates. Also available in insulating material.



- Wall-mounting brackets maintain the IP protection degree of the box.

- Snap-on hinges allows door to open 90 degrees.



- Premolded channels for easy mounting of din rails, breakers, terminal strips or mounting plates.



- Captive plastic screws.



PLASTIC BOX WITH SNAP-ON COVER



Part Number	Internal dimensions mm (in)	Pcs/Carton
400 C1	∅ 65 x 35 (2.56 x 1.38)	120
400 C2	∅ 80 x 40 (3.15 x 1.57)	150
400 C3	80 x 80 x 40 (3.15 x 3.15 x 1.57)	160

PLASTIC BOX WITH SCREW-ON COVER



Part Number	Internal dimensions mm (in)	Pcs/Carton
410 C4	100 x 100 x 50 (3.94 x 3.94 x 1.97)	100
410 C4R	120 x 80 x 50 (4.7 x 3.1 x 1.97)	100
410 C5	150 x 110 x 70 (5.91 x 4.33 x 2.75)	42
410 C6	190 x 140 x 70 (7.48 x 5.51 x 2.75)	24
410 C7•	240 x 190 x 90 (9.45 x 7.48 x 3.54)	16
410 C8*	300 x 220 x 120 (11.81 x 8.66 x 4.72)	6
410 C9*	380 x 300 x 120 (14.96 x 11.81 x 4.72)	4
410 C10*	460x380x120 (18.11 x 14.96 x 4.72)	4

• With nylon screws
* With nylon screws and hinged cover

PLASTIC BOX WITH RAISED COVER



Part Number	Internal dimensions mm (in)	Pcs/Carton
430 C5	150 x 110 x 140 (5.91 x 4.33 x 5.51)	18
430 C6	190 x 140 x 140 (7.48 x 5.51 x 5.51)	16
430 C7•	240 x 190 x 160 (9.45 x 7.48 x 6.30)	8
430 C8*	300 x 220 x 180 (11.81 x 8.66 x 7.09)	4
430 C9*	380 x 300 x 180 (14.96 x 11.81 x 7.09)	3

• With nylon screws
* With nylon screws and hinged cover

MOUNTING PLATE



Part Number	Internal dimensions mm (in)	Pcs/Carton
450 P6	190 x 140 (7.48x5.51)	30
450 P7	240 x 190 (9.45 x 7.48)	30
450 P8	300 x 220 (11.81 x 8.66)	20
450 P9	380 x 300 (14.96 x 11.81)	10
450 P10	460 x 380 (18.11 x 14.96)	10

PLASTIC BOX WITH STEPPED GLANDS



Part Number	Internal dimensions mm (in)	Pcs/Carton
400 C4	100 x 100 x 50 (3.94 x 3.94 x 1.97)	90
400 C4R	120 x 80 x 50 (4.7 x 3.1 x 1.97)	90
400 C5	150 x 110 x 70 (5.91 x 4.33 x 2.75)	45
400 C6	190 x 140 x 70 (7.48 x 5.51 x 2.75)	25
400 C7•	240 x 190 x 90 (9.45 x 7.48 x 3.54)	14
400 C8*	300 x 220 x 120 (11.81 x 8.66 x 4.72)	6
400 C9*	380 x 300 x 120 (14.96 x 11.81 x 4.72)	5
400 C10*	460 x 380 x 120 (18.11 x 14.96 x 4.72)	4

• With nylon screws
* With nylon screws and hinged cover

PLASTIC BOX WITH TRANSPARENT COVER



Part Number	Internal dimensions mm (in)	Pcs/Carton
420 C5	150 x 110 x 70 (5.91 x 4.33 x 2.75)	42
420 C6	190 x 140 x 70 (7.48 x 5.51 x 2.75)	24
420 C7•	240 x 190 x 90 (9.45 x 7.48 x 3.54)	16
420 C8*	300 x 220 x 120 (11.81 x 8.66 x 4.72)	6
420 C9*	380 x 300 x 120 (14.96 x 11.81 x 4.72)	4
420 C10*	460 x 380 x 120 (18.11 x 14.96 x 4.72)	4

• With nylon screws
* With nylon screws and hinged cover

PLASTIC BOX WITH RAISED TRANSPARENT COVER



Part Number	Internal dimensions mm (in)	Pcs/Carton
440 C5	150 x 110 x 140 (5.91 x 4.33 x 5.51)	18
440 C6	190 x 140 x 140 (7.48 x 5.51 x 5.51)	16
440 C7•	240 x 190 x 160 (9.45 x 7.48 x 6.30)	8
440 C8*	300 x 220 x 180 (11.81 x 8.66 x 7.09)	4
440 C9*	380 x 300 x 180 (14.96 x 11.81 x 7.09)	3

• With nylon screws
* With nylon screws and hinged cover



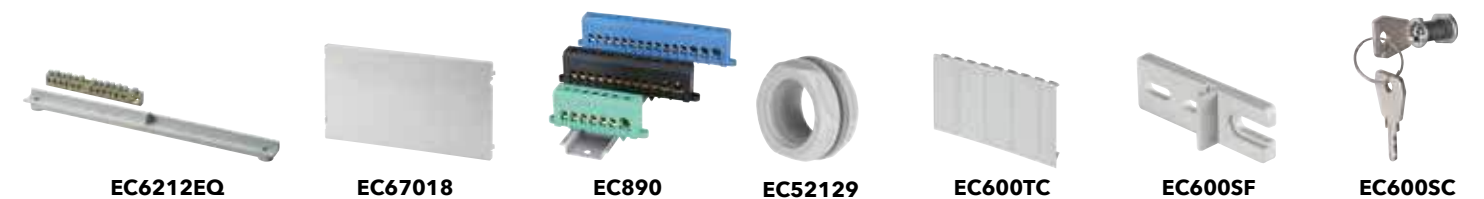
IP65 WALL MOUNTED DISTRIBUTION BOXES

Part Number	External dimensions mm (in)	N. of modules	Pcs/Carton
620 04	150 x 170 x 100 (5.91x6.69x3.94)	4	1/22
620 08	200 x 180 x 100 (7.87x7.09x3.94)	8	1/14
620 12	280 x 220 x 100 (11.02x8.66x3.94)	12	1/8
620 24	290 x 390 x 130 (11.42x15.35x5.12)	24 (2x12)	1/4
620 36	400 x 400 x 130 (15.75x15.75x5.12)	36 (2x18)	1/4
620 54	400 x 600 x 130 (15.75x23.62x5.12)	54 (3x18)	-/1
620 72	420 x 885 x 150 (16.54x34.84x5.91)	72 (4x18)	-/1
WITH TERMINAL STRIPS			
620 04E	150 x 170 x 100 (5.91x 6.69x3.94)	4	1/22
620 08E	200 x 180 x 100 (7.87x7.09x3.94)	8	1/14
620 12E	280 x 220 x 100 (11.02x8.66x3.94)	12	1/8
620 24E	290 x 390 x 130 (11.42x15.35x5.12)	24 (2x12)	1/4
620 36E	400 x 400 x 130 (15.75x15.75x5.12)	36 (2x18)	1/4
620 54E	400 x 600 x 130 (15.75x23.62x5.12)	54 (3x18)	-/1
620 72E	420 x 885 x 150 (16.54x34.84x5.91)	72 (4x18)	-/1

IP40 FLUSH MOUNTED DISTRIBUTION BOXES

Part Number	External dimensions mm (in)	N. of modules	Pcs/Carton
630 04	154 x 160 x 80 (6.06x6.3x3.15)	4	1/20
630 08	240 x 194 x 80 (9.45x7.64x3.15)	8	1/9
630 12	320 x 240 x 80 (12.6x9.45x3.15)	12	1/7
630 24	320 x 388 x 80 (12.6x15.28x3.15)	24 (2x12)	1/5
630 36	430 x 410 x 80 (16.3x16.14x3.15)	36 (2x18)	1/4
630 54	430 x 618 x 80 (16.3x24.33x3.15)	54 (3x18)	1
630 72	450 x 853 x 95 (17.72x33.59x3.74)	72 (4x18)	1
WITH TERMINAL STRIPS			
630 04E	154 x 160 x 80 (6.06x6.3x3.15)	4	1/20
630 08E	240 x 194 x 80 (9.45x7.64x3.15)	8	1/9
630 12E	320 x 240 x 80 (12.6x9.45x3.15)	12	1/7
630 24E	320 x 388 x 80 (12.6x15.28x3.15)	24 (2x12)	1/5
630 36E	430 x 410 x 80 (16.3x16.14x3.15)	36 (2x18)	1/4
630 54E	430 x 618 x 80 (16.3x24.33x3.15)	54 (3x18)	1
630 72E	450 x 853 x 95 (17.72x33.59x3.74)	72 (4x18)	1

Colours available: RAL 7035 gray - RAL 9001 white - Black



TECHNICAL SPECIFICATIONS

- Material: ABS thermoplastic, heat resistant to 650°C, with rust and corrosion proof screws. Halogen free and RoHS compliant.
- Colour: Ral 7035 gray with tinted polycarbonate door.
- Ratings: IP65.
- Easy to install terminal strips.
- Din rail, filler plastic plates, label and plastic caps are all included with each unit.
- Housing designed for Modular Components either 48 or 75mm deep.

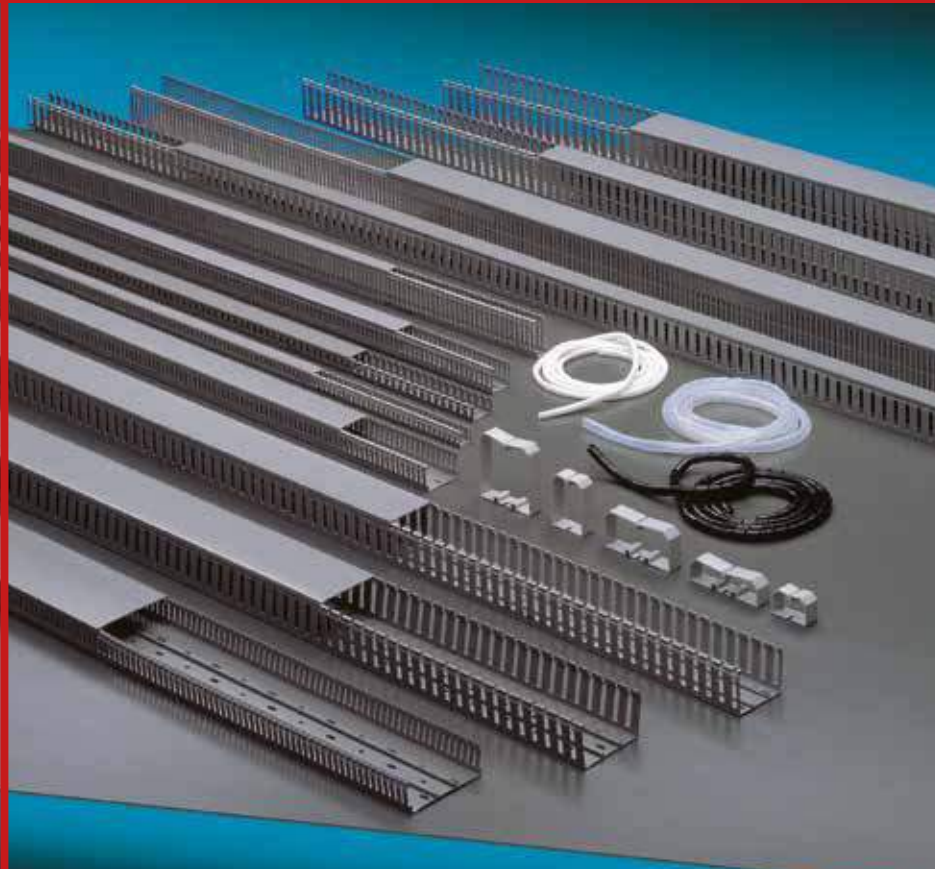


- Removable and reversible clear door.
- Wall-mounting brackets maintain the IP protection degree of the box.
- Blank labels included with each unit.

WIRE DUCTS

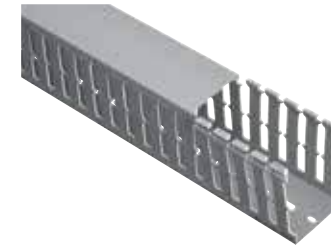


C.E.I. 23 - 22 Standards



Material:	Self-extinguishing PVC UL94 V0
High temperature and flame resistant up to 960°C (glow wire test)	
Max temperature for continuous use 60°C	
Standard length:	2 meters
Standard colour:	Ral 7030 gray RAL 9001 white upon request.
Halogen free in Ral 7035 light gray available only upon request	
RoHS compliant	
UL file E331386	

WIRE DUCT 8/12/8mm SPACING



Part Number	Width mm (in)	Height mm (in)	Meters/feet per carton
A 2525	25 (0.98)	25 (0.98)	100/328
A 2540	25 (0.98)	40 (1.57)	100/328
A 2560	25 (0.98)	60 (2.36)	70/230
A 2580	25 (0.98)	80 (3.35)	56/184
A 4025	40 (1.57)	25 (0.98)	80/262
A 4040	40 (1.57)	40 (1.57)	70/230
A 4060	40 (1.57)	60 (2.36)	56/184
A 4080	40 (1.57)	80 (3.35)	40/131
A 40100	40 (1.57)	100 (3.94)	32/105
A 6040	60 (2.36)	40 (1.57)	50/164
A 6060	60 (2.36)	60 (2.36)	32/105
A 6080	60 (2.36)	80 (3.35)	36/118
A 60100	60 (2.36)	100 (3.94)	24/79
A 8040*	80 (3.35)	40 (1.57)	40/131
A 8060*	80 (3.35)	60 (2.36)	28/92
A 8080*	80 (3.35)	80 (3.35)	30/98
A 80100*	80 (3.35)	100 (3.94)	24/79
A 10040*	100 (3.94)	40 (1.57)	28/92
A 10060*	100 (3.94)	60 (2.36)	20/66
A 10080*	100 (3.94)	80 (3.35)	24/79
A 100100*	100 (3.94)	100 (3.94)	16/52
A 12040*	120 (4.72)	40 (1.57)	24/79
A 12060*	120 (4.72)	60 (2.36)	20/66
A 12080*	120 (4.72)	80 (3.35)	16/52
SES G	separator	separator	50/164

Available in gray and white colour.
* With separator.

TECHNICAL SPECIFICATIONS



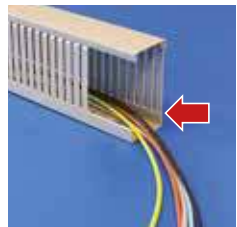
Burr-free edges to safeguard technician's hands.



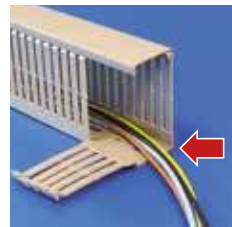
Wire retainers available only for wire duct 40mm wide and up.



Wire separator available for the 80, 100, 120mm wide wire duct.



Scored at the bottom of each finger for easy removal.



Scored at base for easy removal of sidewall

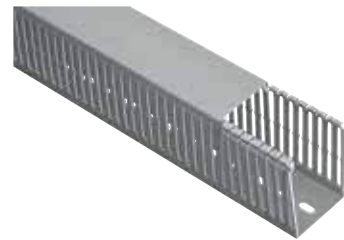


WIRE DUCTS

C.E.I. 23 - 22 Standards



WIRE DUCT 4/6/4mm SPACING



Part Number	Width mm (in)	Height mm (in)	Meters/feet per carton
S 2525	25 (0.98)	25 (0.98)	100/328
S 2540	25 (0.98)	40 (1.57)	100/328
S 2560	25 (0.98)	60 (2.36)	70/230
S 2580	25 (0.98)	80 (3.35)	56/184
S 4025	40 (1.57)	25 (0.98)	80/262
S 4040	40 (1.57)	40 (1.57)	70/230
S 4060	40 (1.57)	60 (2.36)	56/184
S 4080	40 (1.57)	80 (3.35)	40/131
S 40100	40 (1.57)	100 (3.94)	32/105
S 6040	60 (2.36)	40 (1.57)	50/164
S 6060	60 (2.36)	60 (2.36)	32/105
S 6080	60 (2.36)	80 (3.35)	36/118
S 60100	60 (2.36)	100 (3.94)	24/79
S 8040*	80 (3.35)	40 (1.57)	40/131
S 8060*	80 (3.35)	60 (2.36)	28/92
S 8080*	80 (3.35)	80 (3.35)	30/98
S 80100*	80 (3.35)	100 (3.94)	24/79
S 10040*	100 (3.94)	40 (1.57)	28/92
S 10060*	100 (3.94)	60 (2.36)	20/66
S 10080*	100 (3.94)	80 (3.35)	24/79
S 100100*	100 (3.94)	100 (3.94)	16/52
S 12040*	120 (4.72)	40 (1.57)	24/79
S 12060*	120 (4.72)	60 (2.36)	20/66
S 12080*	120 (4.72)	80 (3.35)	16/52
SES G	separator	separator	50/164

Available in gray and white colour.
* With separator.

SPIRAL WRAP IN TRANSPARENT POLYTHENE



Part Number	mm ø int./ext.	mt. per bundle	mt. per carton
P 03	3/5	25	500
P 04	4/6	25	500
P 06	6/8	25	300
P 08	8/10	25	400
P 10	10/12	25	200
P 12	12/14	20	160
P 14	14/16	20	160

Black or transparent upon request.

CABLE TIES

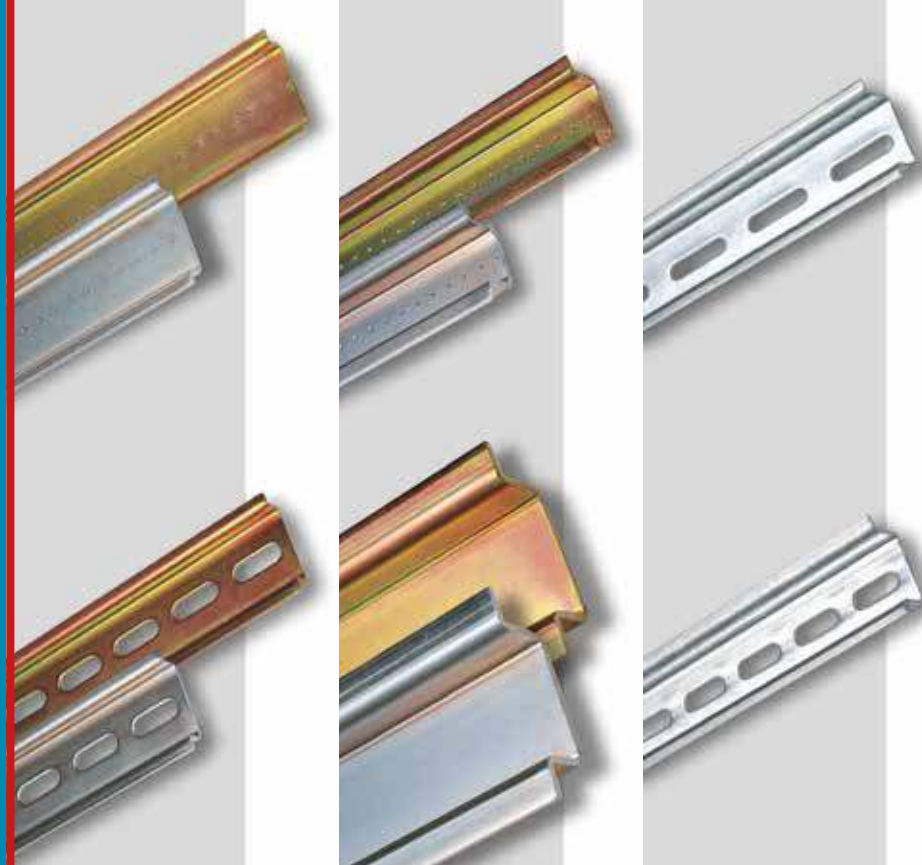


DESCRIPTION

	Dimensions Lenght x Width		Max. Bundle		Tensile strength		Pcs/bag	Pcs/Carton
	Length	m/m	Inch.	m/m	Lbs	N		
TIE 2.301	3 x 0,1	75 x 2,5	5/8"	16	20	90	1000	60.000
TIE 2.302	4 x 0,1	100 x 2,5	1"	24	20	90	1000	50.000
TIE 2.303	5,4 x 0,1	135 x 2,5	1 3/8"	35	20	90	1000	40.000
TIE 2.304	6,4 x 0,1	160 x 2,5	1 3/4"	40	20	90	1000	40.000
TIE 2.305	8 x 0,1	200 x 2,5	2 1/4"	55	20	90	1000	30.000
TIE 2.310	5,6 x 0,14	140 x 3,5	1 3/8"	36	33	150	1000	30.000
TIE 2.311	8 x 0,14	200 x 3,5	2 1/4"	55	33	150	1000	20.000
TIE 2.312	11 x 0,14	280 x 3,5	3 1/4"	80	33	160	100	13.000
TIE 2.314	14,5 x 0,14	360 x 3,5	4 1/4"	107	33	150	100	8.000
TIE 2.320	5,6 x 0,18	140 x 4,5	1 3/8"	35	62	280	1000	20.000
TIE 2.321	6,4 x 0,18	160 x 4,5	1 1/2"	40	62	280	1000	20.000
TIE 2.322	7,2 x 0,18	180 x 4,5	1 3/4"	45	62	280	1000	15.000
TIE 2.323	8 x 0,18	200 x 4,5	2"	51	62	280	100	10.000
TIE 2.224	10 x 0,18	250 x 4,5	3"	73	62	280	100	10.000
TIE 2.425	11 x 0,18	280 x 4,5	3"	76	62	280	100	10.000
TIE 2.426	14,5 x 0,18	360 x 4,5	4"	101	62	280	100	8.000
TIE 2.427	15 x 0,18	380 x 4,5	4 3/8"	110	62	280	100	7.000
TIE 2.428	17 x 0,18	430 x 4,5	5"	130	62	280	100	5.000
TIE 2.430	7 x 0,3	180 x 7,5	2"	50	135	600	100	5.000
TIE 2.432	8 x 0,3	200 x 7,5	2"	52	135	600	100	5.000
TIE 2.431	10 x 0,3	240 x 7,5	2 3/4"	69	135	600	100	4.000
TIE 2.433	11 x 0,3	280 x 7,5	3"	76	135	600	100	4.000
TIE 2.434	14,5 x 0,3	360 x 7,5	4"	10	135	600	100	3.000
TIE 2.435	18 x 0,3	450 x 7,5	5 3/8"	136	135	600	100	2.500
TIE 2.436	20 x 0,3	500 x 7,5	6"	145	135	600	100	2.500
TIE 2.437	21,5 x 0,3	540 x 7,5	6 1/2"	164	135	600	100	2.500
TIE 2.441	30 x 0,3	750 x 7,5	9"	220	135	600	100	1.500
TIE 2.442	22 x 0,36	550 x 9	6 1/2"	165	180	800	50	2.000
TIE 2.443	31 x 0,36	780 x 9	9 3/8"	235	180	800	50	1.000
TIE 2.450	10 x 0,5	250 x 12,5	2 3/8"	60	248	1100	50	2.000
TIE 2.451	20 x 0,5	500 x 12,5	6"	145	248	1100	50	1.000
TIE 2.452	30 x 0,5	750 x 12,5	8 3/4"	215	248	1100	50	1.000
TIE 2.453	40 x 0,5	1000 x 12,5	12"	305	248	1100	50	1.000
BAS 2507 BASE square 3/4"							100	20.000
BAS 2508 BASE square 1"							100	10.000

- Our cable ties are made of self-extinguishing (UL-94 V2) nylon PA6.6 with operating temperature between -40°C and +85°C.

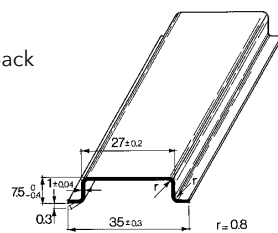
DIN RAILS



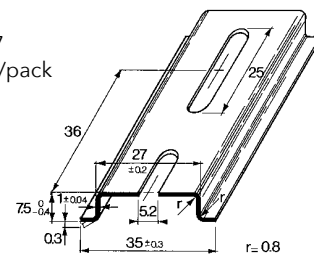
Mounting rails made in accordance to DIN 46277, CENELEC EN 50.022/50.035 standards. Each bar: 2 mt (6'6 3/4")

LOW PROFILE

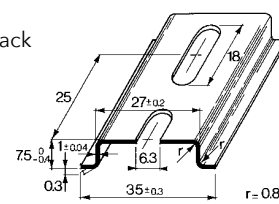
88337
40 mt/pack



88537
40 mt/pack

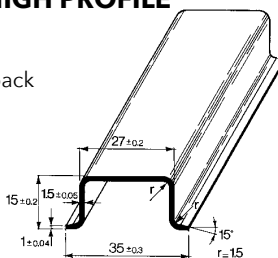


88437
40 mt/pack

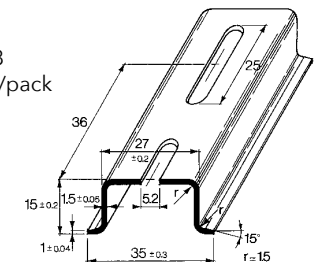


HIGH PROFILE

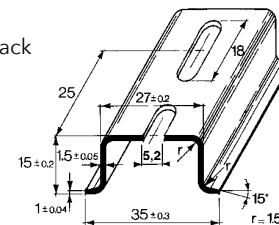
88338
20 mt/pack



88538
20 mt/pack

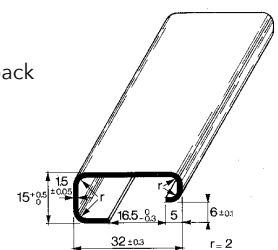


88438
20 mt/pack

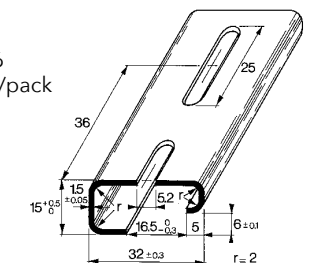


G TYPE

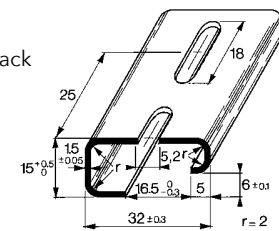
88336
20 mt/pack



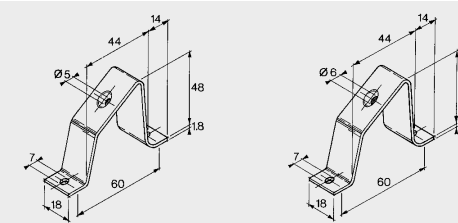
88536
20 mt/pack



88436
20 mt/pack

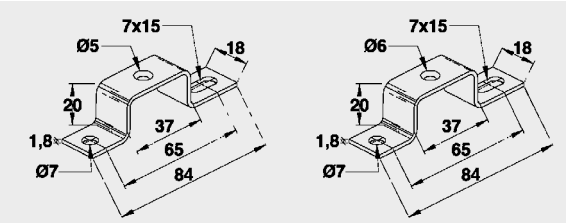


ACCESSORIES (Dimensions in mm)



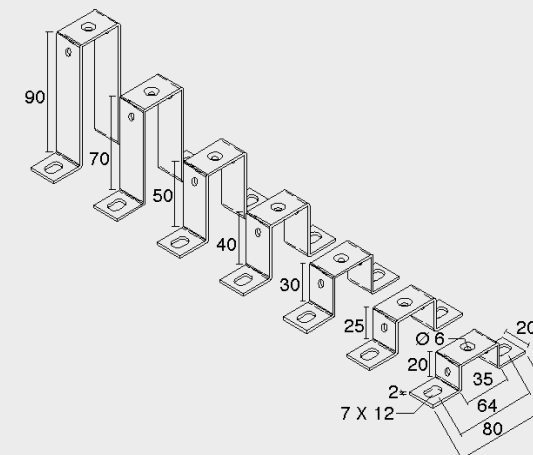
TS-S	White	Pcs/ Cart.
TS-S M5	031002 001 05000	10
TS-S M6	031002 001 06000	10

Steel support brackets, galvanic zinc plating and passivated.



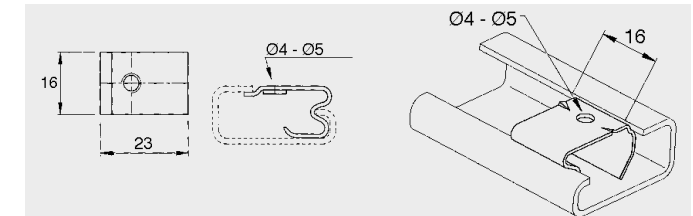
TS-T2	White	Pcs/ Cart.
TST2 M5	031002 002 05000	10
TST2 M6	031002 002 06000	10

Steel support brackets, galvanic zinc plating and passivated.



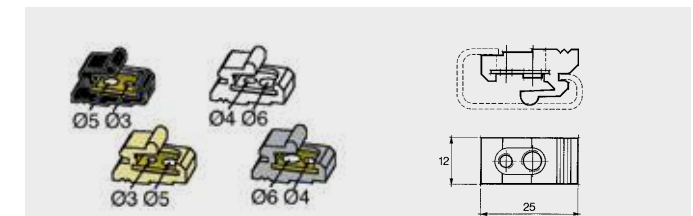
TS-T	White	Pcs/ Cart.
TST20 M6	031002 003 06000	10
TST25 M6	031002 004 06000	10
TST30 M6	031002 005 06000	10
TST40 M6	031002 006 06000	10
TST50 M6	031002 007 06000	10
TST70 M6	031002 008 06000	10
TST90 M6	031002 009 06000	10

Steel support brackets, galvanic zinc plating and passivated.



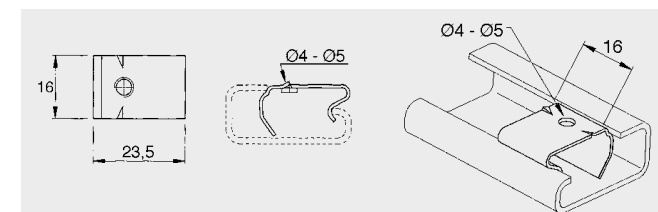
DIN-KLIP	Part. No	Pcs/ Cart.
DIN-KLIP M4	034002 002 04000	100
DIN-KLIP M5	034002 002 05000	100

Mounting clips for mounting rail - Allow installation of components which are not pre-set to clip on to rail . Material: nickel-plated steel.



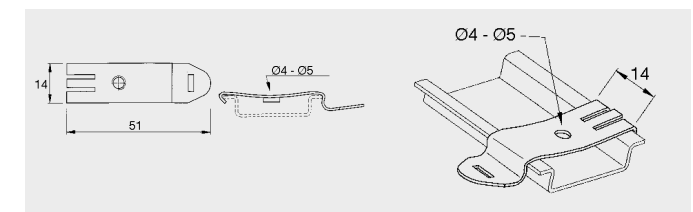
DIN-KLIP	Part. No	Pcs/ Cart.
P-KLIP M3-M5	031002 010 35000	100
P-KLIP M5-M3	031002 010 53000	100
P-KLIP M4-M6	031002 010 46000	100
P-KLIP M6-M4	031002 010 64000	100

Material: Nylon 6/6 and steel galvanic zinc plating and passivation.



G-KLIP	Part. No	Pcs/ Cart.
G-KLIP M4	034002 003 04000	100
G-KLIP M5	034002 003 05000	100

Mounting clips for mounting rail - Allow installation of components which are not pre-set to clip on to rail . Material: nickel-plated steel.

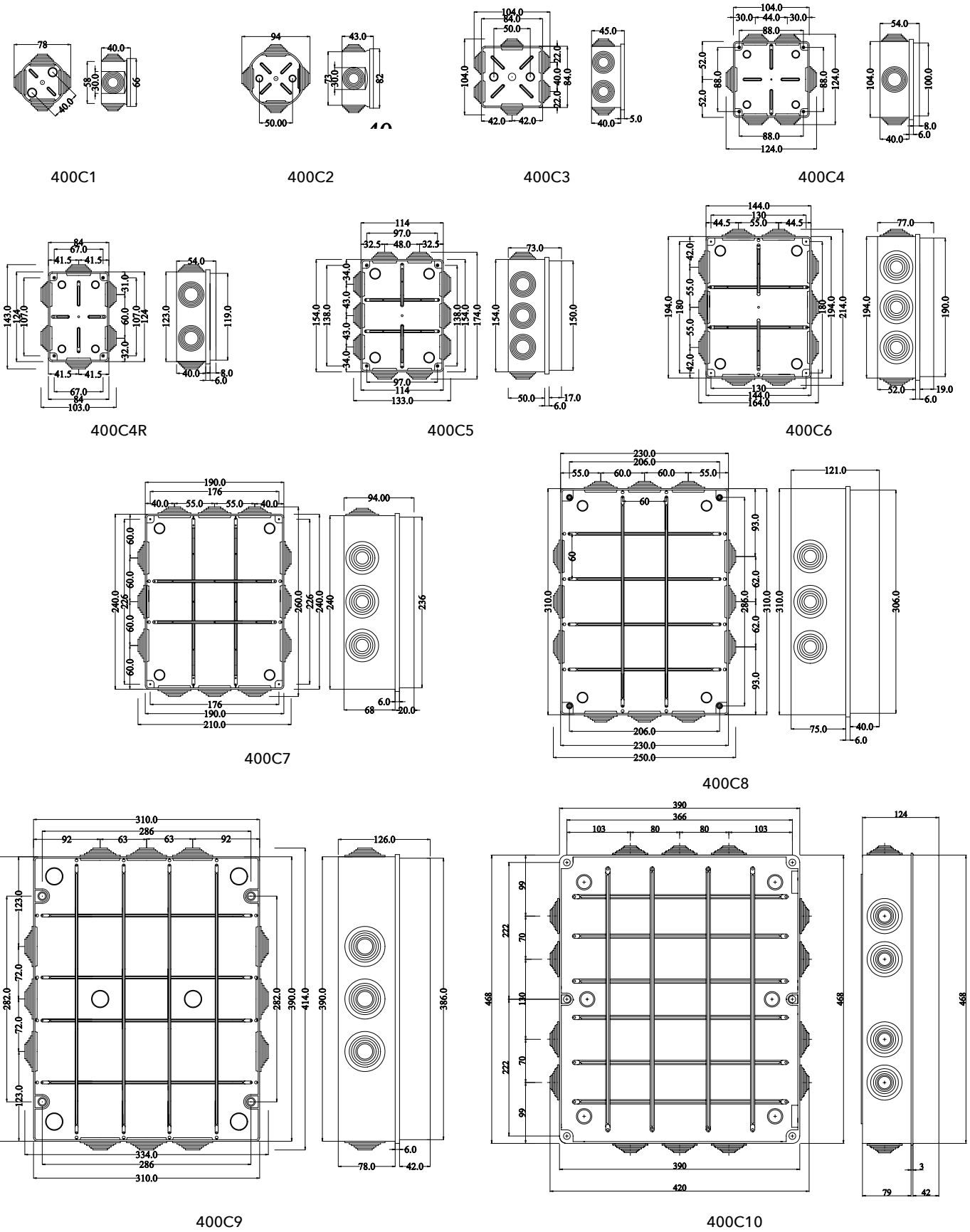


FIX-KLIP	Part. No	Pcs/ Cart.
FIX-KLIP M4	034002 001 04000	100
FIX-KLIP M5	034002 001 05000	100

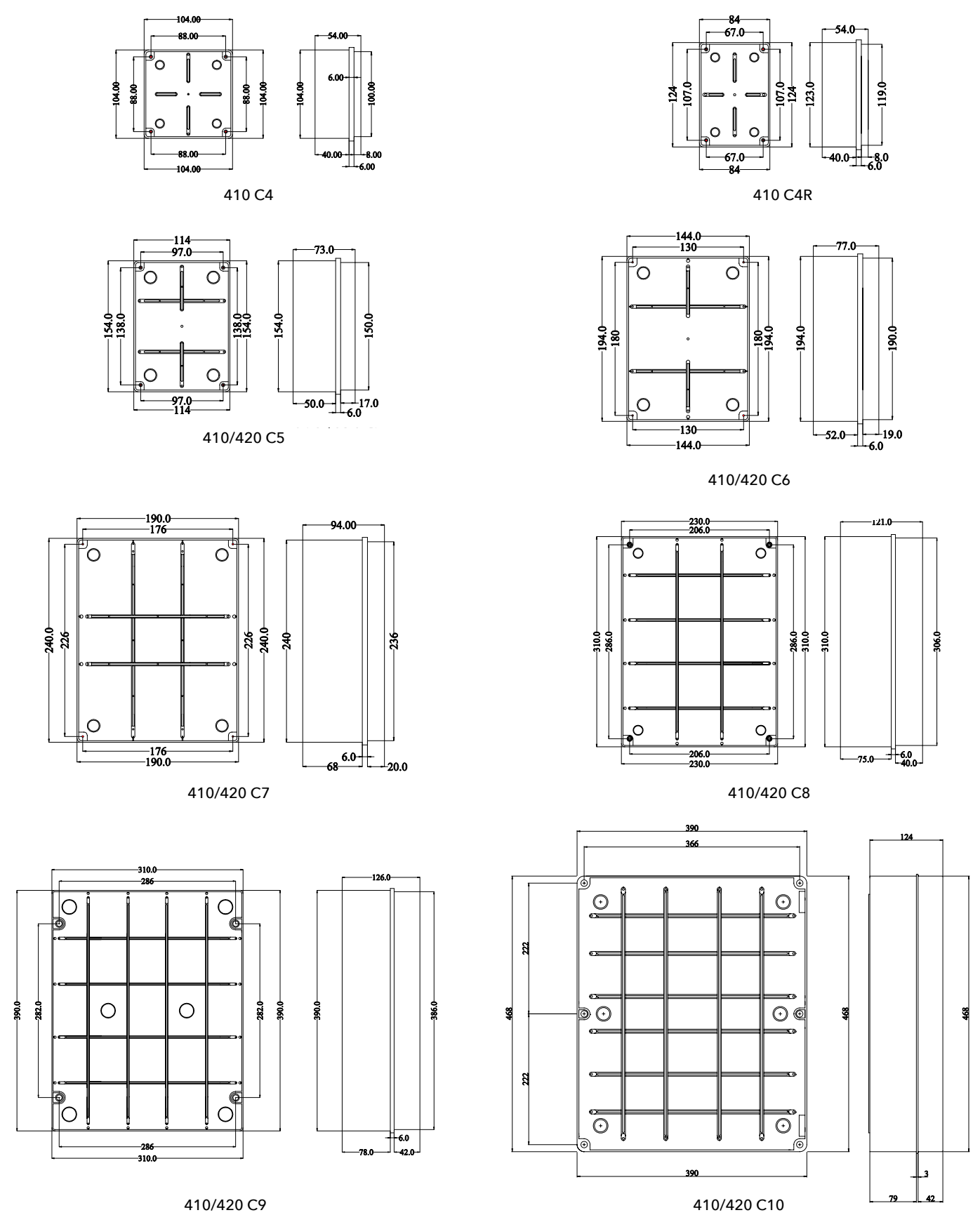
Mounting clips for mounting rail - Allow installation of components which are not pre-set to clip on to rail . Material: nickel-plated steel.



PLASTIC BOXES SERIES 400

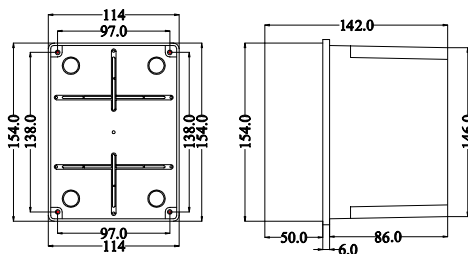


PLASTIC BOXES SERIES 410/420

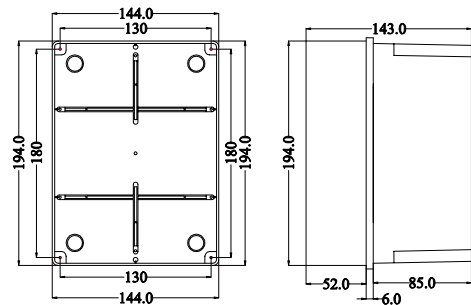




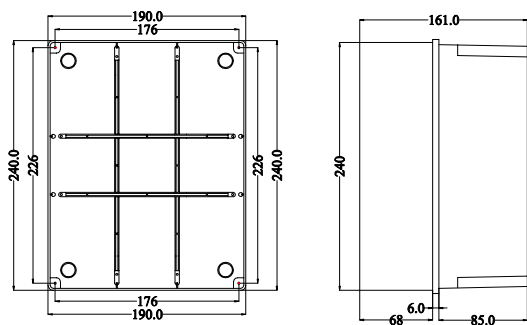
PLASTIC BOXES SERIES 430/440



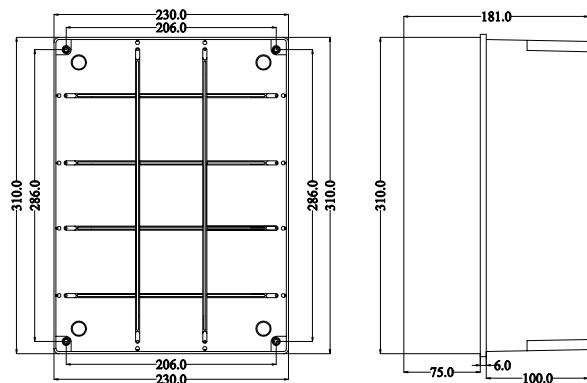
430/440 C5



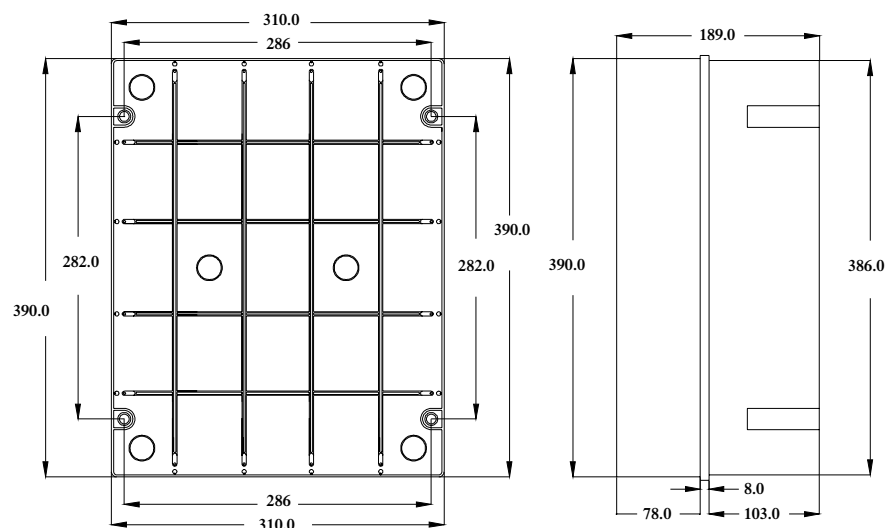
430/440 C6



430/440 C7

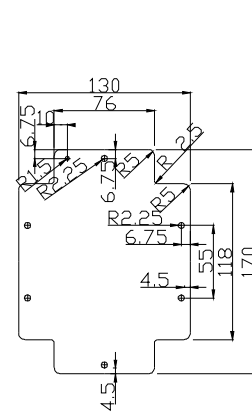


430/440 C8

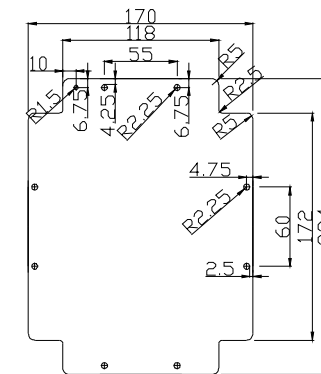


430/440 C9

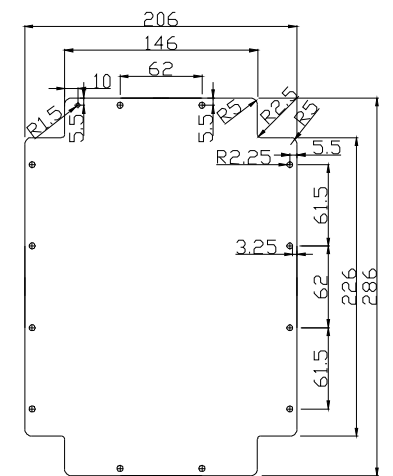
MOUNTING PLATE



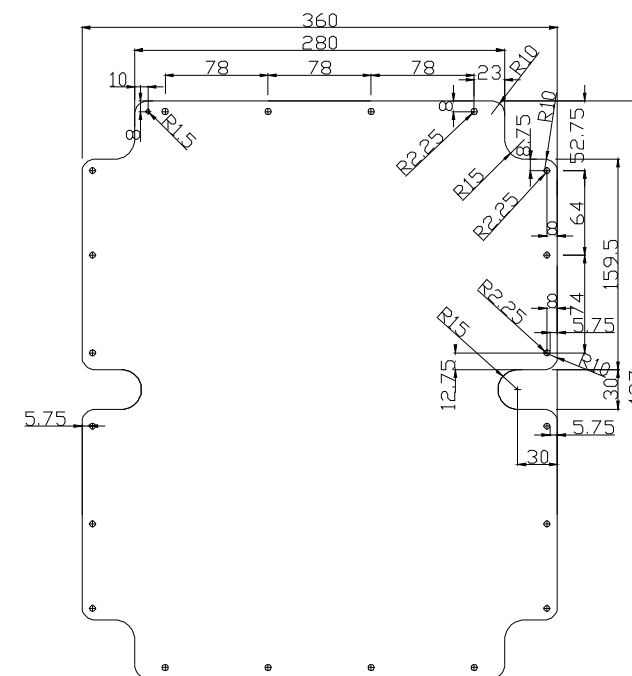
450 P6



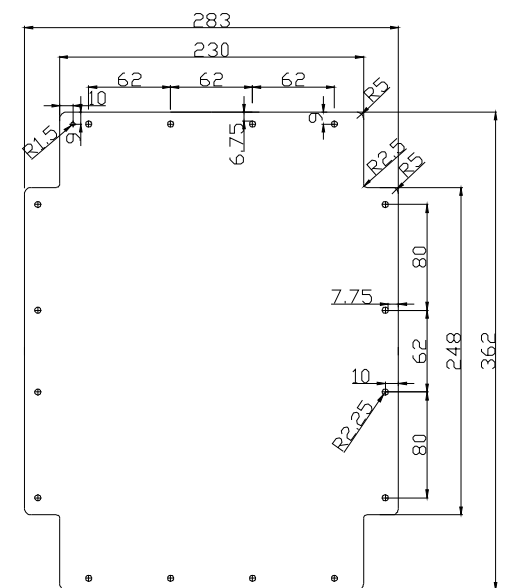
450 P7



450 P8



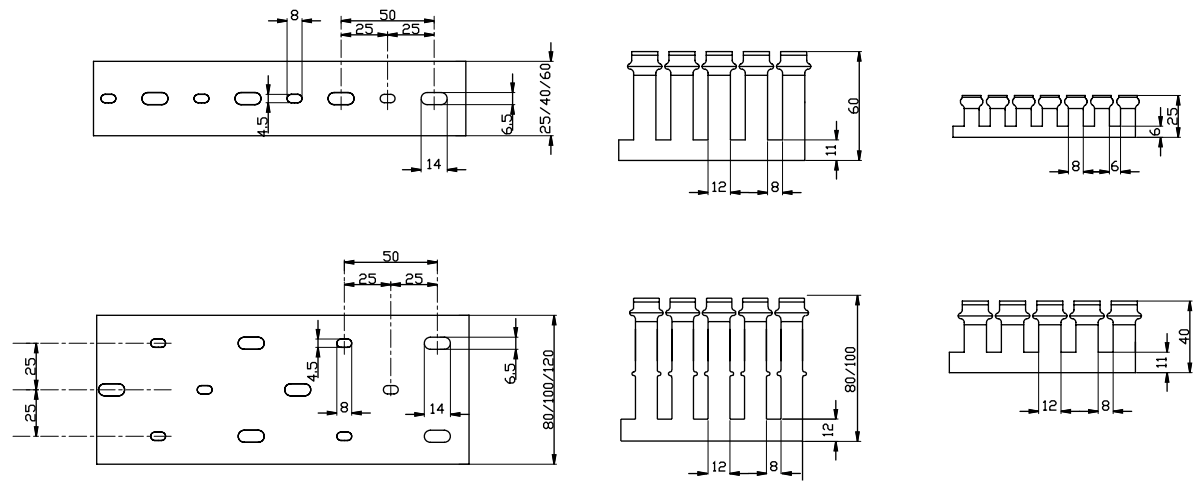
450 P10



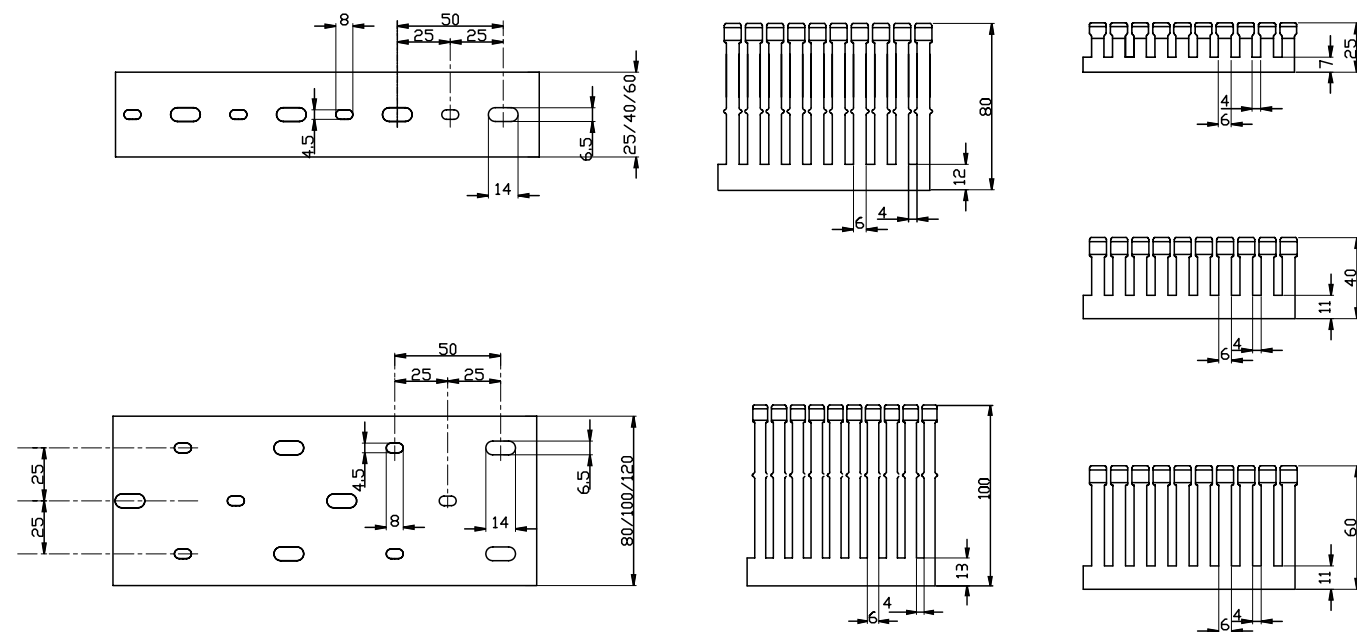
450 P9



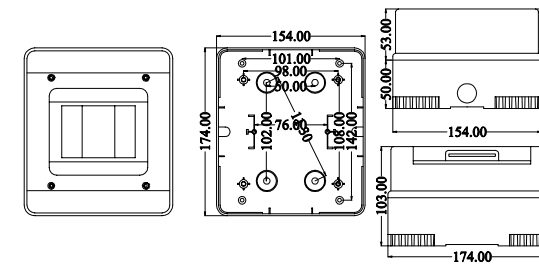
WIRE DUCTS - 8/12/8 mm SPACING



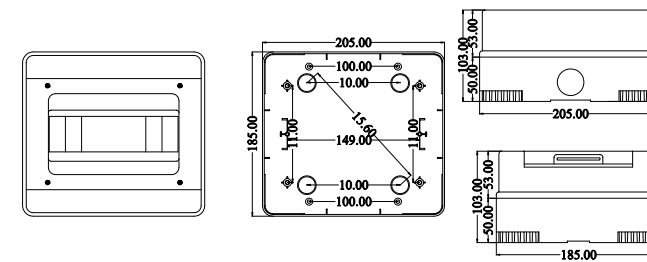
WIRE DUCTS - 4/6/4 mm SPACING



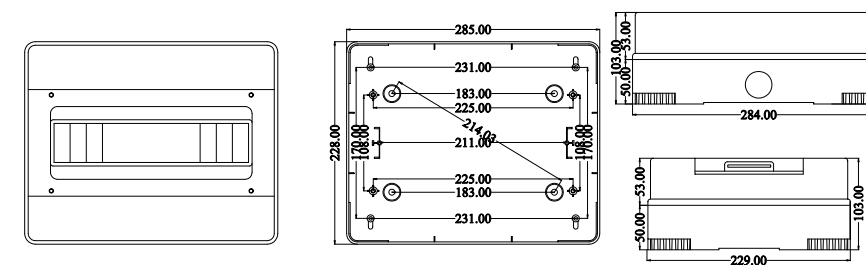
DISTRIBUTION BOXES SERIES 630



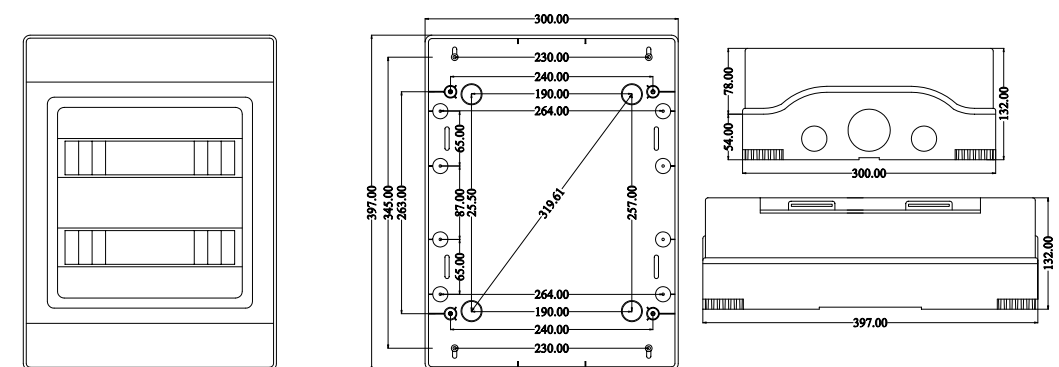
620 04/640 04



620 08/640 08



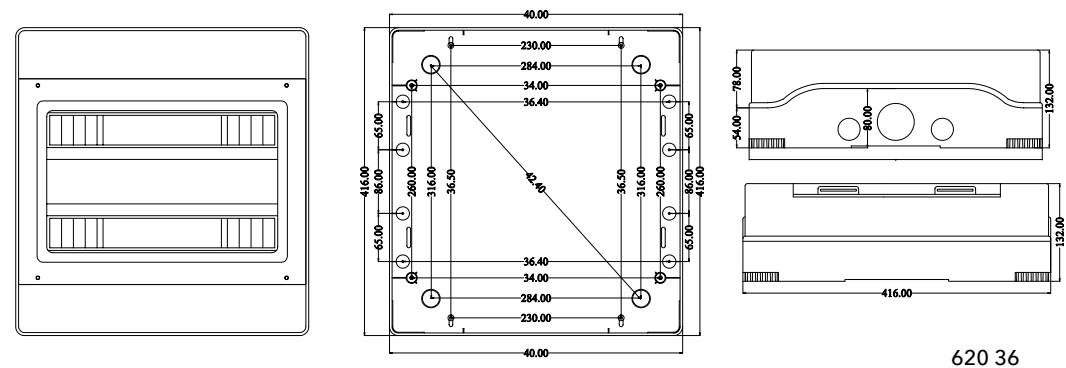
620 12



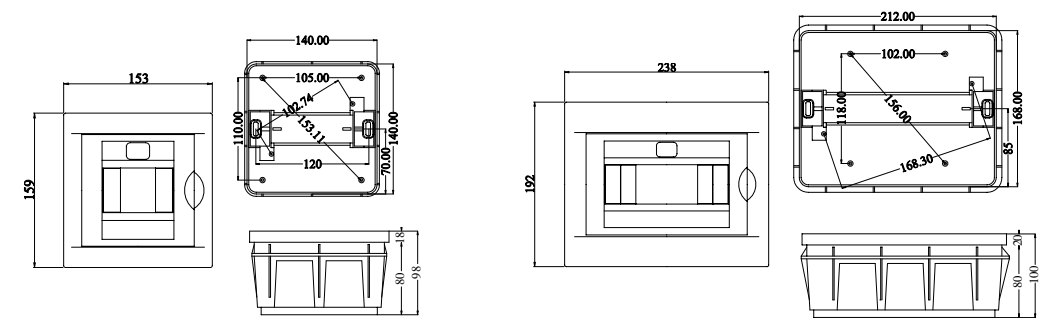
620 24



DISTRIBUTION BOXES SERIES 630

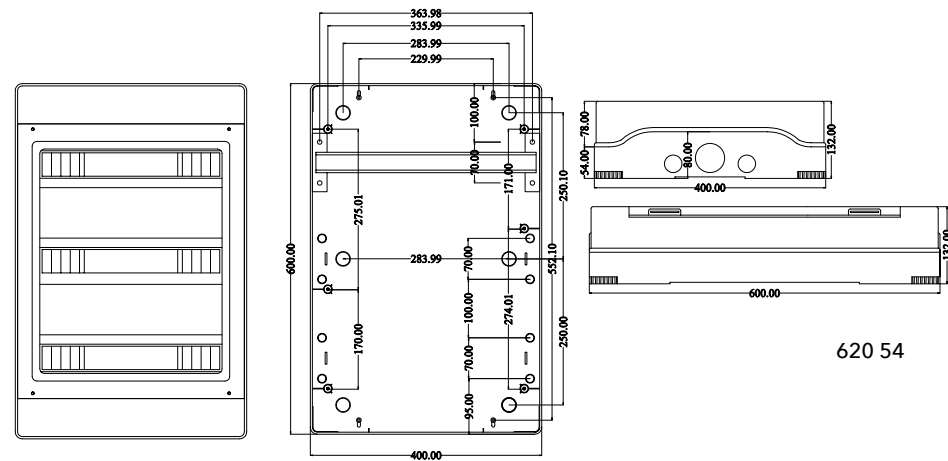


620 36

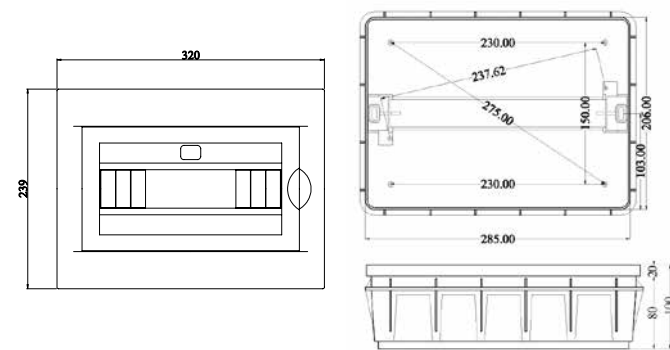


630 04

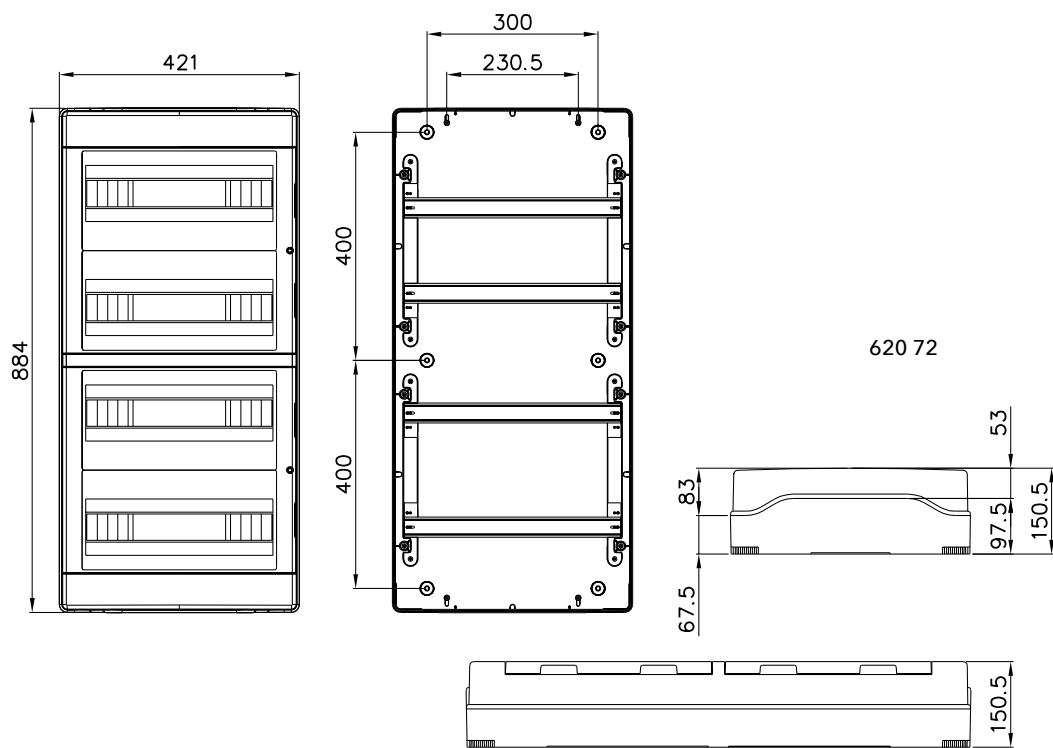
630 08



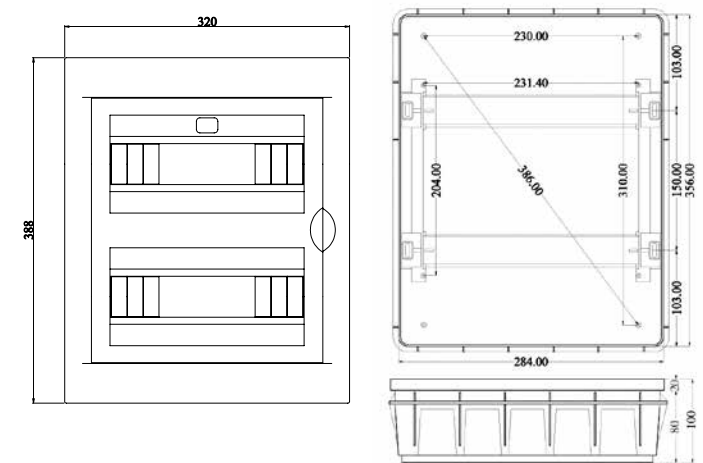
620 54



630 12



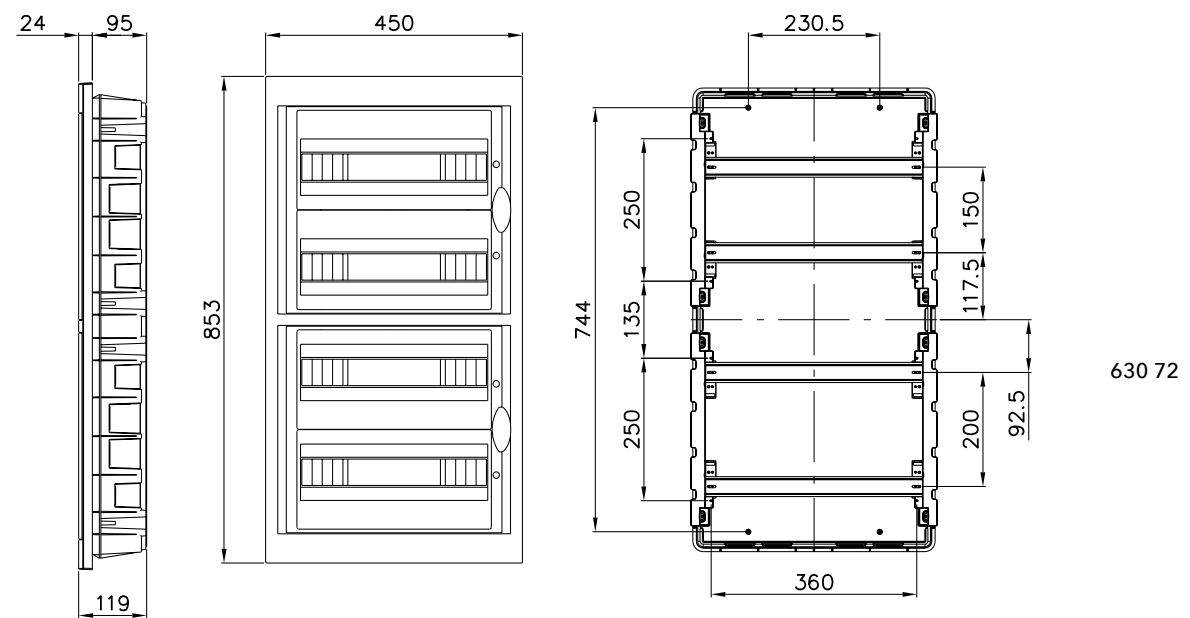
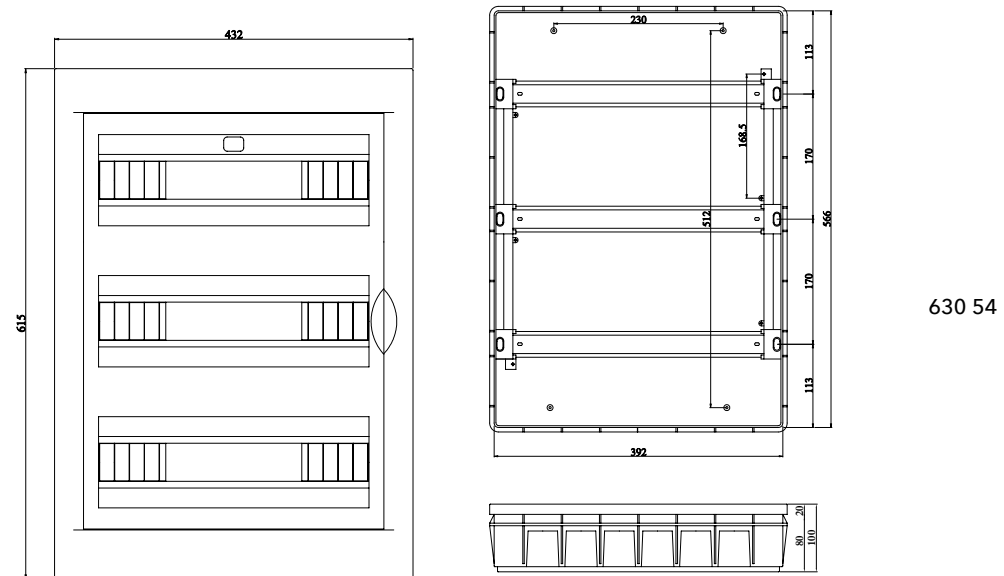
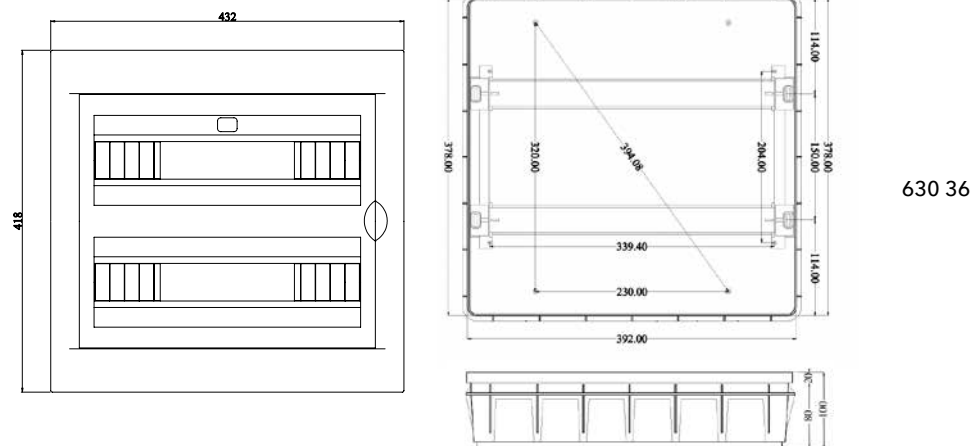
620 72



630 24

DIMENSIONS in mm (1 in=25.4mm)

DISTRIBUTION BOXES SERIES 630





TECNOMATIC CORP.

TECNOMATIC CORP
130 LENOX AVE, UNIT 6
STAMFORD, CT 06906
TEL 203-359-9036
FAX 203-967-9026
EFAX: 203-724-2075
www.tecnomatic.com