

RS
RS 16IO 2W F R S**Weidmüller Interface GmbH & Co. KG**
Klingenbergstraße 16
D-32758 Detmold
Germany
Fon: +49 5231 14-0
Fax: +49 5231 14-292083
www.weidmueller.com

The digital direct input/output interfaces are supplied with flat cable connectors to facilitate connection. They are available in tension clamp or clamping yoke connection, with elements such as fuses, disconnectors or LEDs.

General ordering data

Type	RS 16IO 2W F R S
Order No.	9441560000
Version	Interface, RS, Fuse, 2-wire, Screw connection
GTIN (EAN)	4032248253814
Qty.	1 pc(s).

RS
RS 16IO 2W F R S

Weidmüller Interface GmbH & Co. KG
 Klingenbergstraße 16
 D-32758 Detmold
 Germany
 Fon: +49 5231 14-0
 Fax: +49 5231 14-292083
 www.weidmueller.com

Technical data**Dimensions and weights**

Length	123 mm	Width	109 mm
Height	72 mm	Net weight	400 g

Temperatures

Operating temperature	-25...+50°C	Storage temperature	-40...+60 °C
-----------------------	-------------	---------------------	--------------

General data

LED status display per channel	No	Disconnection per channel	No
Type of test point	No	Fuse per channel	1 A
LED status of the supply voltage	No	Power supply fuse	3.15 A
Common pole polarity	Positive or negative can be selected using jumper		

Connection data

Connection to PLC	RSV 1.6 connector - 24 pole	Connection on control side	Connector RSV 1.6
Number of poles (control side)	24-pole female	Connection (field side)	LP2N 5.08mm
Wiring system	2-wire		

Ratings data

Operating voltage	150 V UC	Max. current per channel	1 A
Total operating current	2 A		

Insulation coordination (EN50178)

According to	DIN EN 50178	Rated insulation voltage	< 150 V AC
Surge voltage category	II	Pollution severity level	2
Pulse voltage test (1,2/50µs)	1.5 kV	Insulation test voltage	1.1 kVAC

Connection field

Type of connection	Screw connection	Clamping range, min.	0.13 mm ²
Clamping range, max.	2.5 mm ²	Solid, min. H05(07) V-U	0.5 mm ²
Solid, max. H05(07) V-U	6 mm ²	Flexible, min. H05(07) V-K	0.5 mm ²
Flexible, max. H05(07) V-K	4 mm ²	Flexible with sleeve, max.	2.5 mm ²
Flexible with sleeve, min.	0.5 mm ²	Sleeve with plastic collar, max.	2.5 mm ²
Min. wire cross-section, AWG [field]	AWG 26	Max. wire cross-section, AWG [field]	AWG 12
Tightening torque, min.	0.5 Nm	Tightening torque, max.	0.6 Nm
Stripping length	6 mm		

Supply connection

Type of connection	Screw connection	Clamping range, min.	0.13 mm ²
Clamping range, max.	2.5 mm ²		

Classifications

ETIM 3.0	EC001423	UNSPSC	30-21-18-01
eClass 5.1	27-24-22-08	eClass 6.2	27-24-22-08
eClass 7.1	27-24-22-08		

Creation date December 18, 2013 10:27:08 PM CET

Catalogue status / We reserve the right to make technical changes.

2

Data sheet**RS**
RS 16IO 2W F R S**Weidmüller Interface GmbH & Co. KG**
Klingenbergstraße 16
D-32758 Detmold
Germany
Fon: +49 5231 14-0
Fax: +49 5231 14-292083
www.weidmueller.com**Technical data****Product information**

Descriptive text technical data	The common C may carry up to 3 A if the external jumpers are not used
---------------------------------	---

Approvals

Approvals



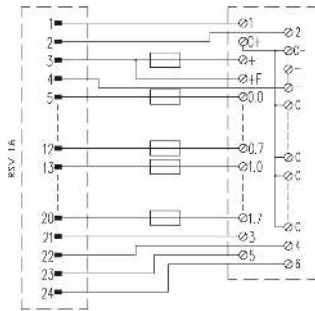
ROHS	Conform
------	---------

Downloads

Declaration of Conformity	K246_09_02.pdf
---------------------------	--------------------------------

Data sheet**RS
RS 16IO 2W F R S**

Weidmüller Interface GmbH & Co. KG
Klingenbergstraße 16
D-32758 Detmold
Germany
Fon: +49 5231 14-0
Fax: +49 5231 14-292083
www.weidmueller.com

Drawings

The wiring diagram corresponds to the version with LEDs.