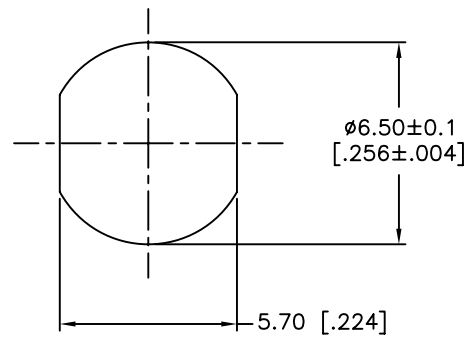
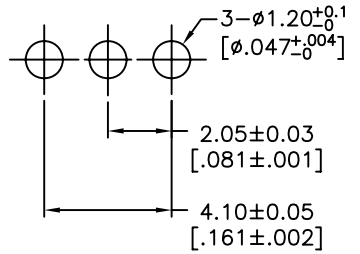


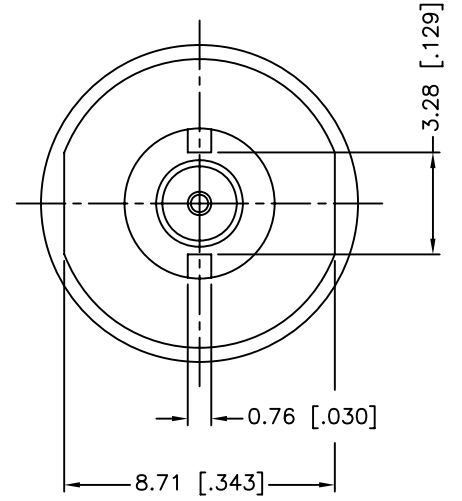
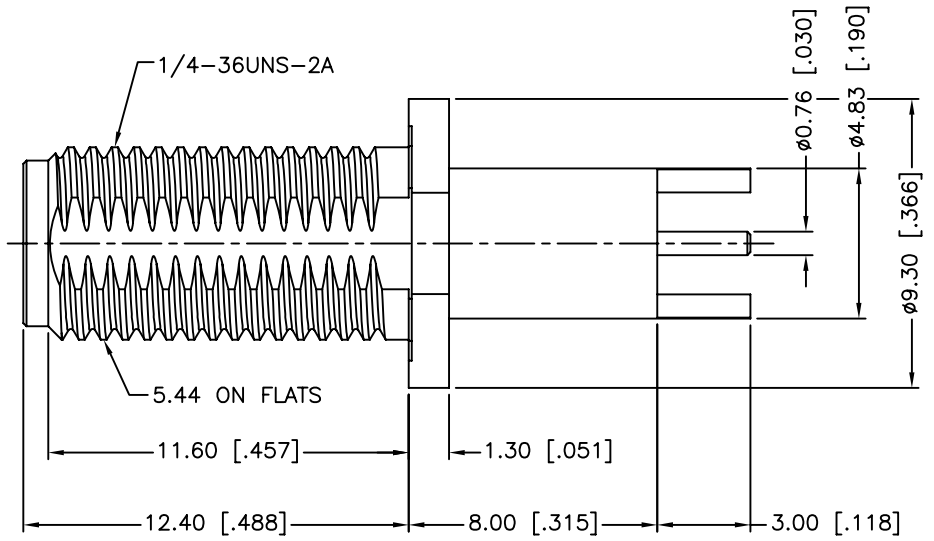
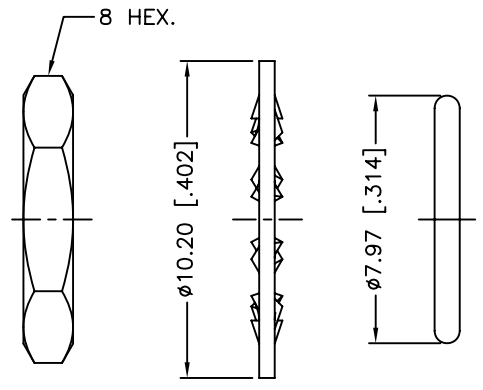
REV.	DATE	ECR NO.	DESCRIPTION
NC	12/22/10	XXXXX	INITIAL RELEASE



RECOMMENDED MOUNTING HOLE



PCB MOUNTING HOLES



1. FREQUENCY RANGE: DC 0-6 GHz
2. VSWR(RETURN LOSS): 1.35, MAX.
3. SEALING REQUIREMENT: IP-68 MUST WITHSTAND 30PSI AT 1 METERS DEPTH OF WATER FOR 30 MINUTES WITHOUT ANY SIGNS OF LEAKAGE
4. MAX. PANEL THICKNESS= 9 mm

DESCRIPTION	MATERIAL	FINISH	QTY	
7	HEX NUT	BRASS	GOLD	1
6	LOCK WASHER	BRASS	GOLD	1
5	O-RING	SILICON RUBBER	RED	1
4	CONTACT PIN	PHOSPHOR BRONZE	GOLD	1
3	O-RING	SILICON RUBBER	RED	1
2	INSULATOR	PTFE	NATURAL	1
1	BODY	BRASS	GOLD	1

UNLESS OTHERWISE SPECIFIED DIMENSIONS ARE IN MILLIMETERS. DIMENSIONS IN [ ] ARE IN INCHES AND FOR CUSTOMER REFERENCE ONLY.

UNLESS OTHERWISE SPECIFIED TOLERANCES FOR MILLIMETERS ARE:  
0.5 - 8mm ± 0.20mm  
8 - 30mm ± 0.40mm  
30 - 120mm ± 0.50mm

UNLESS OTHERWISE SPECIFIED TOLERANCES FOR INCHES ARE:  
.020 - .315 = ± 0.007"  
.315 - 1.180 = ± 0.015"  
1.180 - 4.724 = ± 0.020"

DO NOT SCALE DRAWING

APPROVALS	DATE
DRAWN M.ZHANG	12/22/10
CHECKED	
ISSUED	
SHEET 1 OF 1	
CAD FILE	C:/CONNEX/132421.DWG

**Amphenol Connex**

PART DESCRIPTION  
**SMA BULKHEAD RECEPT.  
JACK, IP-68 COMPLIANT**

PART NO.  
**132421**

DWG. NO. 132421.DWG    REV. NC    SIZE A    SCALE NA