

SIZE	Part Num.	Threading	Headscrew	Packaging
25	8655MH2501BLF	UNC 4.40	Black	BULK (see note 1)
	8655MH2501BKLF	UNC 4.40	Black	KIT (see note 2)
	8655MH2502BLF	M3	Grey	BULK
	8655MH2502BKLF	M3	Grey	KIT

NOTES:

Material and finish: Zinc die-cast
Nickel plated

Cable strain relief: Polycarbonate (UL94V-0)

Jackscrews:

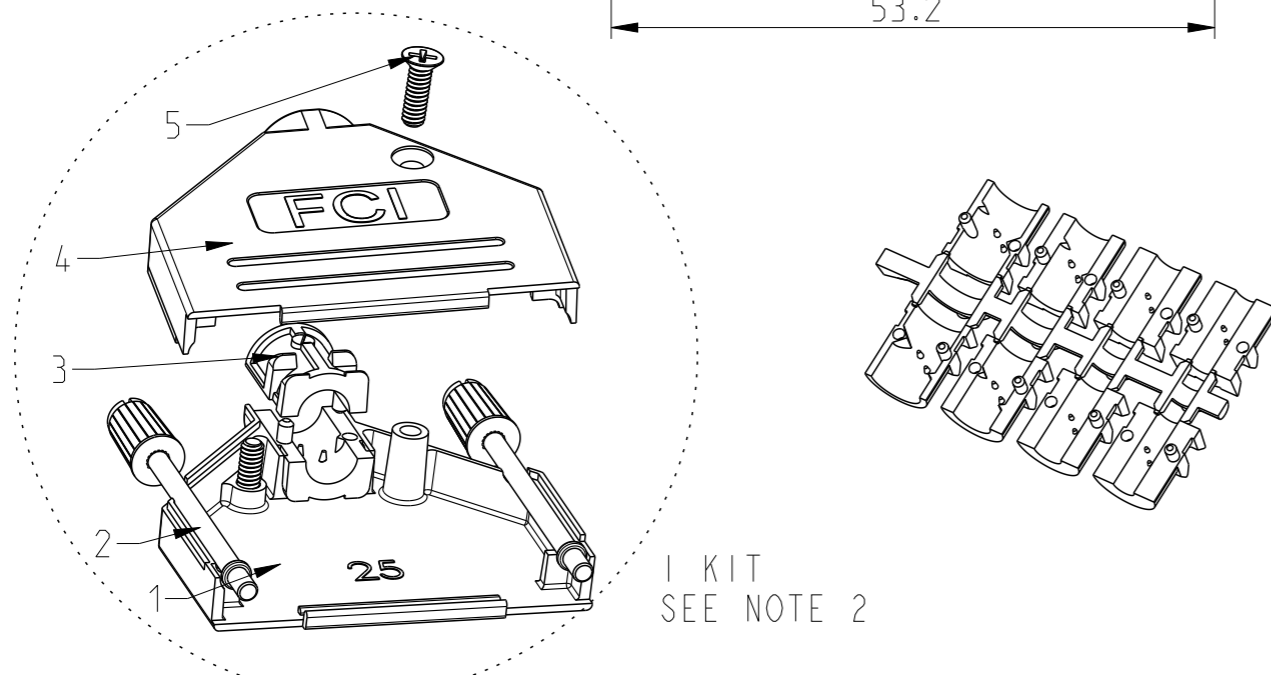
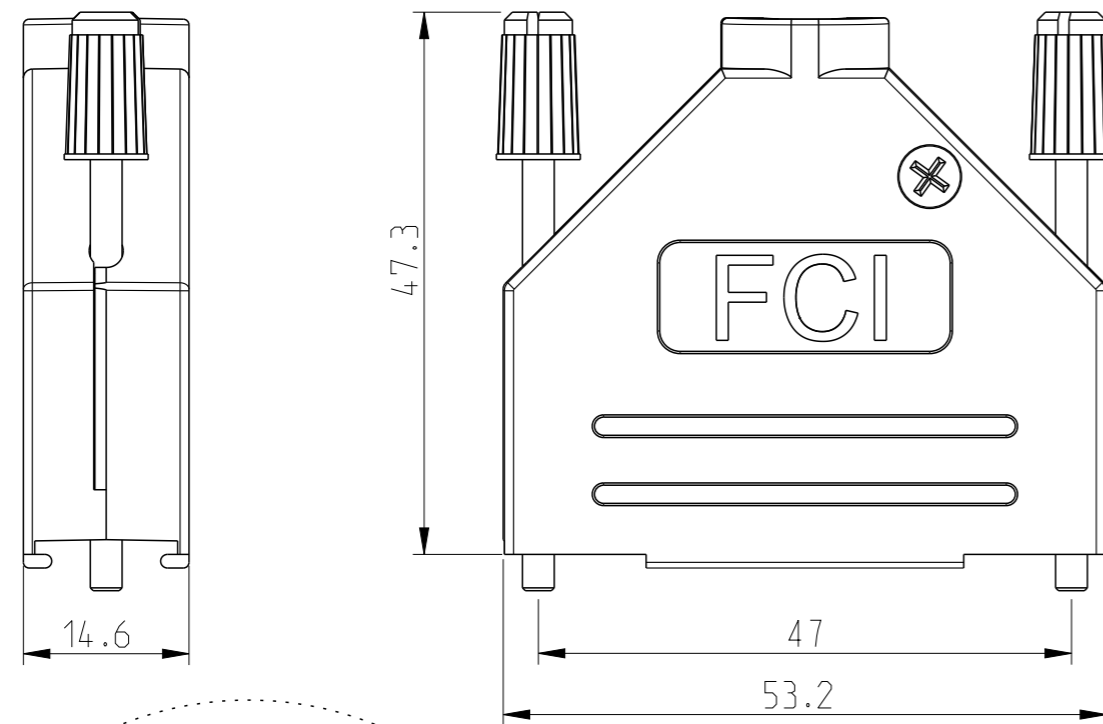
- Headscrew : plastic, color according threading
- Body : metal, threading according tables

Temperature range: -40°C to 120°C
Cable diameter: 4,0 to 13,0mm
Attenuation factor: >40 dB between 30MHz and 1 GHz
Marking FCI logo: Height 6 mm for all versions

Covers screwing force (max): 100 Ncm
Jackscrew screwing force (max): 50 Ncm

Packaging notes (see tables):

- 1 - Bulk : Every spare part packaged per 100 or 200 into plastic bag.5 plastic bags per carton box. 1 plastic bag per part.
- 2 - Kit : 1 set of spare parts necessary to realise 1 kit into a plastic bag. 100 plastic bags per carton box.



NOTE:RoHS INFORMATIONS

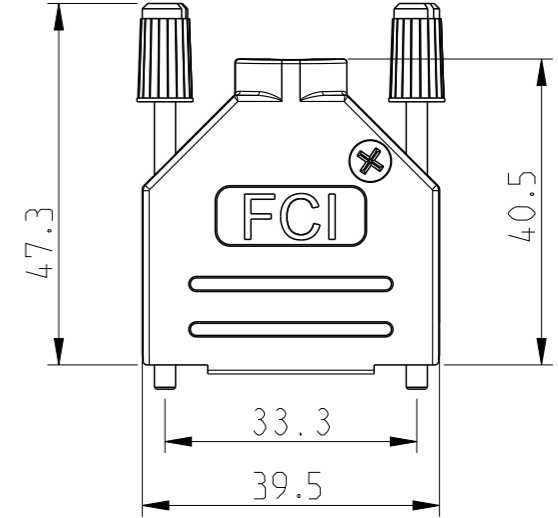
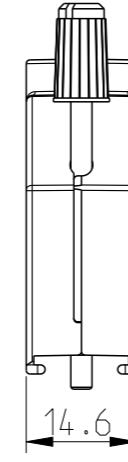
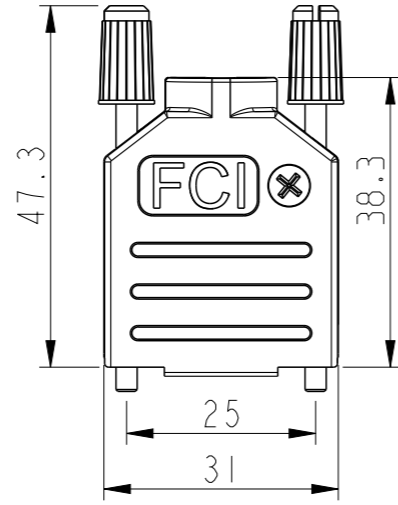
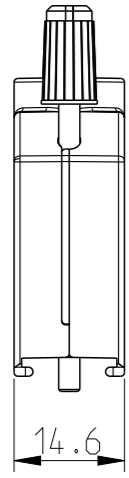
- The "LF" product meets European union Directives and other country regulations as described in GS-22-008.
- The product is not intended to be exposed to a manufacturing solder process.
- Packaging spec: see GS-14-920.

DESIGNATION	REP.	09	15	25	37
COVER BOTTOM	1			1	
JACKSCREW	2			2	
STRAIN RELIEF	3			2	
COVER TOP	4			1	
SCREW POZIDRIVE	5			2	

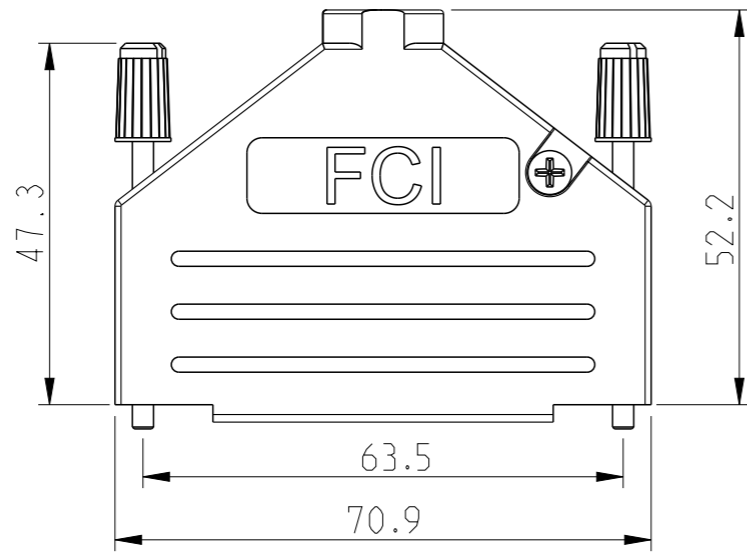
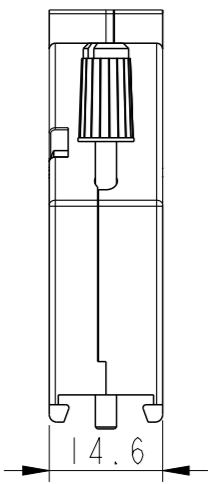
spec ref	dr	Alexandre Parr	2009/05/20	projection	mm	size	A3	scale	3:2
tolerance std	eng	Detouillon, Da	2021/06/30			ecn no	ELX-F-38514-1	rel level	Released
ISO 406 ISO 1101	chr	-	-						
surface	linear	0.X	±/	Amphenol FCI D-SUB METAL HOODS STRAIGHT www.fci.com		dwg no	10085962	rev	G
		0.XX	±/						
ISO 1302	angular	0°	±/°						
cat. no.				Product - Customer Drw			sheet 1 of 3		

SIZE	Part Num.	Threading	Headscrew	Packaging
09	8655MH0901BLF	UNC 4.40	Black	BULK (see note 1)
	8655MH0901BKLF	UNC 4.40	Black	KIT (see note 2)
	8655MH0902BLF	M3	Grey	BULK
	8655MH0902BKLF	M3	Grey	KIT

SIZE	Part Num.	Threading	Headscrew	Packaging
15	8655MH1501BLF	UNC 4.40	Black	BULK (see note 1)
	8655MH1501BKLF	UNC 4.40	Black	KIT (see note 2)
	8655MH1502BLF	M3	Grey	BULK
	8655MH1502BKLF	M3	Grey	KIT



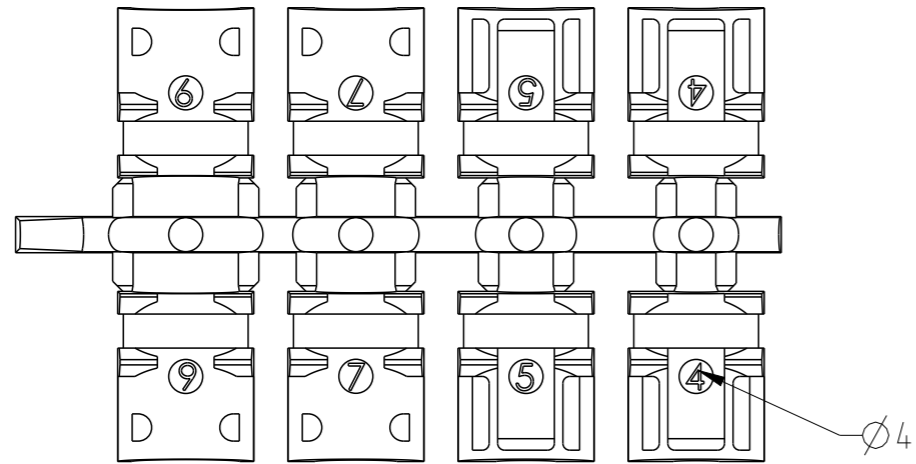
SIZE	Part Num.	Threading	Headscrew	Packaging
37	8655MH3701BLF	UNC 4.40	Black	BULK (see note 1)
	8655MH3701BKLF	UNC 4.40	Black	KIT (see note 2)
	8655MH3702BLF	M3	Grey	BULK
	8655MH3702BKLF	M3	Grey	KIT



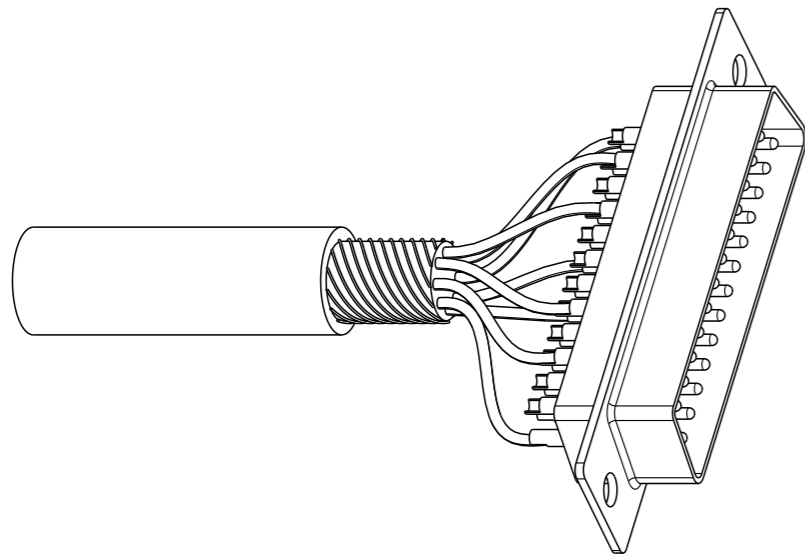
spec ref	dr	Alexandre Parr	2009/05/20	projection	mm	size	A3	scale	1:1
tolerance std	eng	Detouillon, Da	2021/06/30			ecn no	ELX-F-38514-1		
ISO 406 ISO 1101	chr	-	-			rel level	Released		
surface	appr	Wollin, Severi	2021/06/30	product family		dwg no	10085962	rev	G
ISO 1302	linear	Amphenol FCI D-SUB METAL HOODS STRAIGHT www.fci.com		Product - Customer Drw					
	angular	0°	±/°						

CABLING INSTRUCTIONS FOR CABLE \varnothing 4, 5, 7 or 9 mm

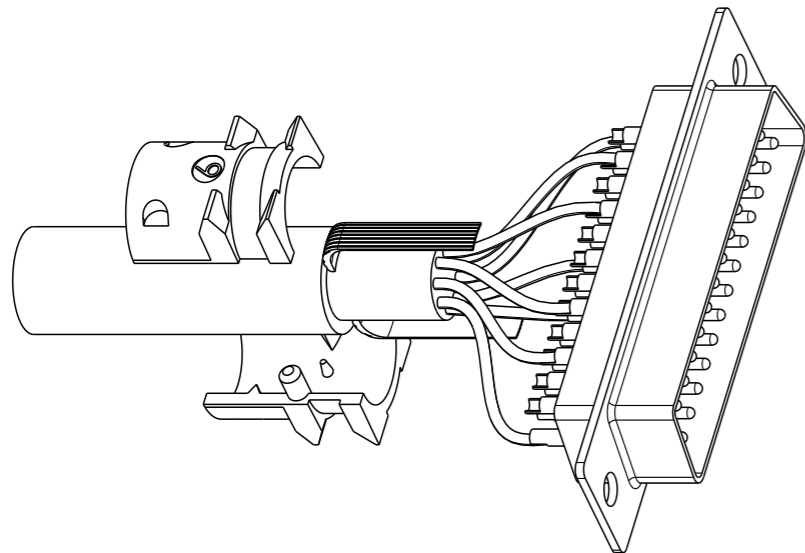
1- Use two halves of strain relief, different sizes can be mixed (\varnothing 4,5,7 or 9)



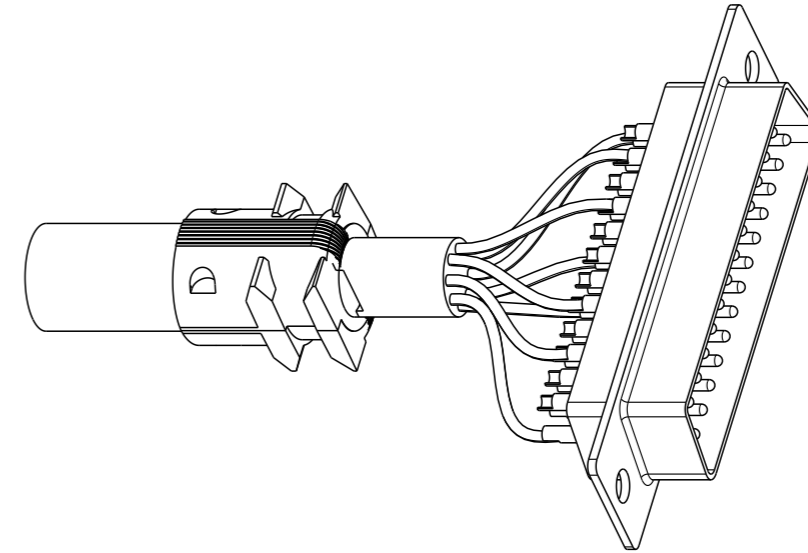
2- Strip cable 18mm and shape to two pigtails



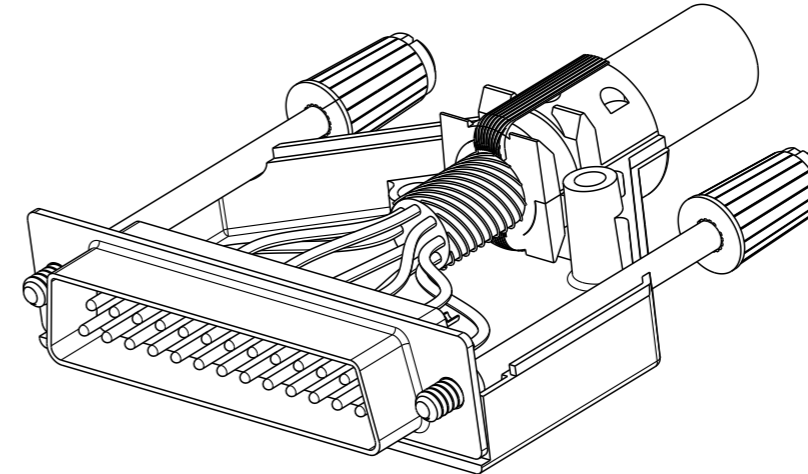
3- Attach the strain relief around the cable



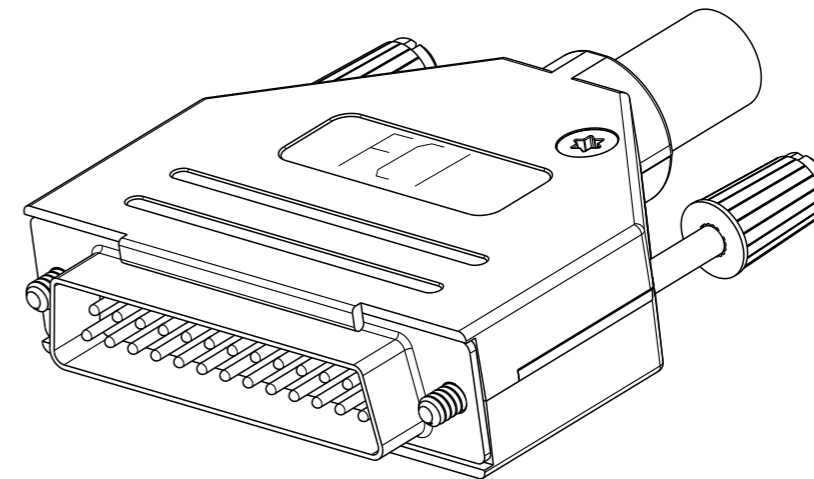
4- Bend cable shielding back on outside of strain relief



5- Mount connector and cable into the backshell



6- Assemble the other half screwing force: 100 Ncm



CABLING INSTRUCTIONS FOR CABLE

\varnothing > 9 to 11 mm

1- Use one half of strain relief, (\varnothing 9).

spec ref	dr	Alexandre Parr	2009/05/20	projection	mm	size	A3	scale	3:2
tolerance std	eng	Detouillon, Da	2021/06/30			ecn no	ELX-F-38514-1		
ISO 406 ISO 1101	chr	-	-			rel level	Released		
surface	linear	0.X	±/			dwg no	10085962	rev	G
		0.XXX	±/						
ISO 1302	angular	0°	±/°	www.fci.com	cat. no.	Product - Customer Drw		sheet 3 of 3	