

- 1
- 2
- 3
- 4
- 5
- 6
- 7
- 8
- 9
- 10
- 11
- 12
- 13
- 14
- 15
- 16
- 17
- 18

MATERIAL

Glass-fibre reinforced polyamide based (PA) technopolymer, black colour, matte finish.

STANDARD EXECUTIONS

Black-oxide steel boss, standard reamed hole (on page -), fitting to shaft by means of a supplied grub screw with hexagon socket and cup end UNI 5929-85.

- **MBT-GXX**: for gravity indicators.
- **MBT-PXX**: for positive drive indicators.

Rear flange with internal crown gear wheel in acetal resin based (POM) technopolymer. Black-oxide steel screw and anchor pin.

ERGONOMY AND DESIGN

The fine pitch knurling on the outside rim of the knob, allows a safe and comfortable grip, offering the operator the possibility of operating under the most different working conditions in a sensitive and ergonomic way and simplifying the adjustment of the knob during rapid rotation (or screwing) without any unpleasant angular work for the hand and wrist.

INDICATOR CHOICE (TO BE ORDERED SEPARATELY)

To choose the indicator see the table below for possible assembly with indicators.

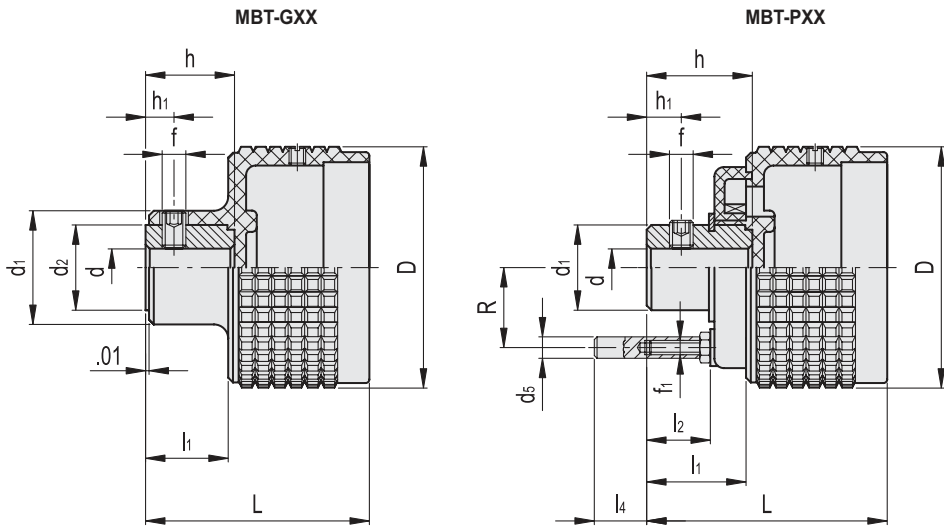
See also "Assembly instructions" for gravity indicators type G (on page 724) or positive drive indicators type P (on page 726).

ACCESSORIES ON REQUEST

Cover CP-XX (see page 753) for use without the indicator.



ELESA Original design



INCH

MBT-GXX

Code	Description	D	L	d	h	d1	d2	f	h1	l1	⚖	Handwheel indicator combinations
CE930001-R	MBT.60-GXX1 A-1/4	2.28	2.07	0.250	0.67	0.94	0.71	M5	0.24	0.67	0.16	GA01 - GA11
CE930005-R	MBT.60-GXX1 A-5/16	2.28	2.07	0.312	0.67	0.94	0.71	M5	0.24	0.67	0.15	GA01 - GA11
CE930051-R	MBT.80-GXX2 A-5/16	3.03	2.4	0.312	0.87	1.1	0.87	M5	0.24	0.87	0.29	GA02 - GA12 - GW12
CE930055-R	MBT.80-GXX2 A-3/8	3.03	2.4	0.375	0.87	1.1	0.87	M5	0.24	0.87	0.28	GA02 - GA12 - GW12

INCH

MBT-PXX

Code	Description	D	L	d	h	d1	d5	f	f1	h1	l1	l2	l4	R	⚖	Handwheel indicator combinations
CE930002-R	MBT.60-PXX1 A-1/4	2.28	2.17	0.250	0.81	0.71	0.24	M5	M4	0.2	0.73	0.41	0.57	0.75	0.19	PA01 - PA11
CE930052-R	MBT.80-PXX2 A-5/16	3.03	2.32	0.312	0.87	1.18	0.24	M5	M4	0.24	0.79	0.47	0.51	1.12	0.48	PA02 - PA12 - PW12

Position indicators