

Bellows suction cups (round)

SPB1 80 ED-65 G1/4-AG

Part no...:10.01.06.03504

<https://www.schmalz.com/10.01.06.03504>

Home > Vacuum Technology for Automation > Vacuum Components > Area Gripping Systems and End Effectors > Vacuum End Effectors VEE > Suction Cups for Vacuum End Effectors > SPB1 80 ED-65 G1/4-AG

Bellows suction cup (round) for very uneven workpieces



Size: 80

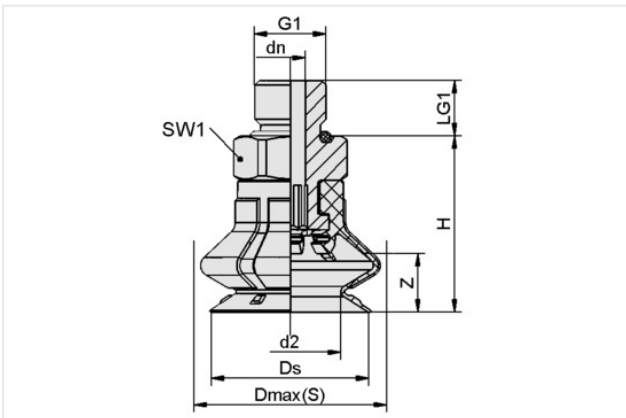
Suction cup material: Elastodur

Material hardness [Shore A]: 65 Shore A

Thread G1: G1/4"-M

Number of folds: 1.5

Design Data



Attribute	Value
d2	56 mm
dn	6.10 mm
Dmax(S)	88 mm
Ds	81.40 mm
G1	G1/4"-M
H	53.90 mm
LG1	10 mm
SW1	22 mm
Z (Stroke)	23.50 mm

Technical Data

Attribute	Value
Suction force (-600mbar)	166 N
Pull-off force	200 N
Lateral force	59 N
Volume	98.36 cm ³
Curve radius (min) (convex)	150 mm
Hose diameter (empf.) d	6 mm
Size	80
Number of folds	1.50

Contact Schmalz

Schmalz Inc. | 5850 Oak Forest Drive, Raleigh, NC 27616, United States | +1 (919) 713-0880 | schmalz.us@schmalz.com

Bellows suction cups (round)

SPB1 80 ED-65 G1/4-AG

Part no.:10.01.06.03504

<https://www.schmalz.com/10.01.06.03504>

Suction cup material	Elastodur
Material hardness [Shore A]	65 Shore A
Weight	74.40 g
Product family	SPB1

Accessories



SIEB 32.5x0.8 MS-A2 280 0.28/0.16

Part no.:10.07.01.00364

External diameter D: 32.5 mm

Length L: 0.8 mm

Material: Brass / Stainless steel

Filter pore size: 280 µm



SC-SW 60 6

Part no.:10.05.04.00096

Spanner size SW1: 6 mm

Bellows suction cups (round)

SPB1 80 ED-65 G1/4-AG

Part no...:10.01.06.03504

<https://www.schmalz.com/10.01.06.03504>



SC-SW 80 6

Part no...:10.05.04.00097

Spanner size SW1: 6 mm



SC-SW 100 6

Part no...:10.05.04.00098

Spanner size SW1: 6 mm



SC-SW 120 6

Part no...:10.05.04.00099

Spanner size SW1: 6 mm

Bellows suction cups (round)

SPB1 80 ED-65 G1/4-AG

Part no...:10.01.06.03504

<https://www.schmalz.com/10.01.06.03504>



SC-SW 200 6

Part no...:10.05.04.00100

Spanner size SW1: 6 mm



SC-SW 240 6

Part no...:10.05.04.00101

Spanner size SW1: 6 mm

Spare parts



SC 065 G1/4-AG L MOD

Part no...:10.01.06.03193

Connection geometry: 065

Connection: G1/4"-M

Length L1: 36.1 mm

Fitting length: 8 mm

Nominal diameter dn: 6.1 mm

Shape: Self Locking

Contact Schmalz

Schmalz Inc. | 5850 Oak Forest Drive, Raleigh, NC 27616, United States | +1 (919) 713-0880 | schmalz.us@schmalz.com

Bellows suction cups (round)

SPB1 80 ED-65 G1/4-AG

Part no...:10.01.06.03504

<https://www.schmalz.com/10.01.06.03504>



SPB1 80 ED-65 SC065

Part no...:10.01.06.03071

Size: 80

Suction cup material: Elastodur

Material hardness [Shore A]: 65 Shore A

Number of folds: 1.5

Product recommendations
