

TABLE 1

MOLEX P/N	ENG. NO.	LED
1202510088	BKB4030-FBB	NO
1202510089	BKB403P-FBB	YES
1202510090	BKB403N-FBB	YES

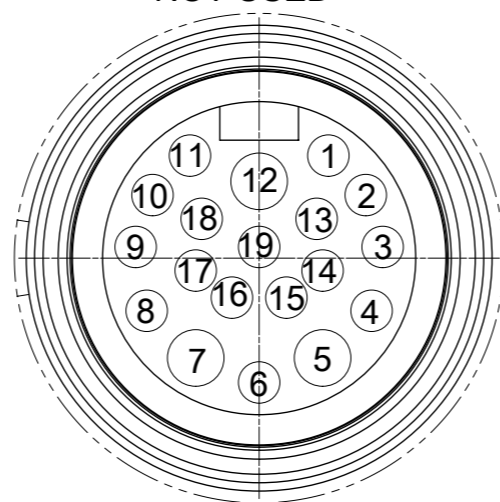
TABLE 2 BILL OF MATERIAL

ITEM	DESCRIPTION	MATERIAL	FINISH
1	LABEL	ABS	WHITE
2	SHELL	BRASS	NICKEL PLATED
3	CONTACT	BRASS	GOLD OVER NICKEL
4	CONTACT	BRONZE	GOLD OVER NICKEL
5	O-RING	FPM	RED
6	LED	NO LED = PA	BLACK
		WITH LED = PA	TRANSPARENT
7	SHELL	BRASS	NICKEL PLATED
8	HOUSING	PBT	BLACK

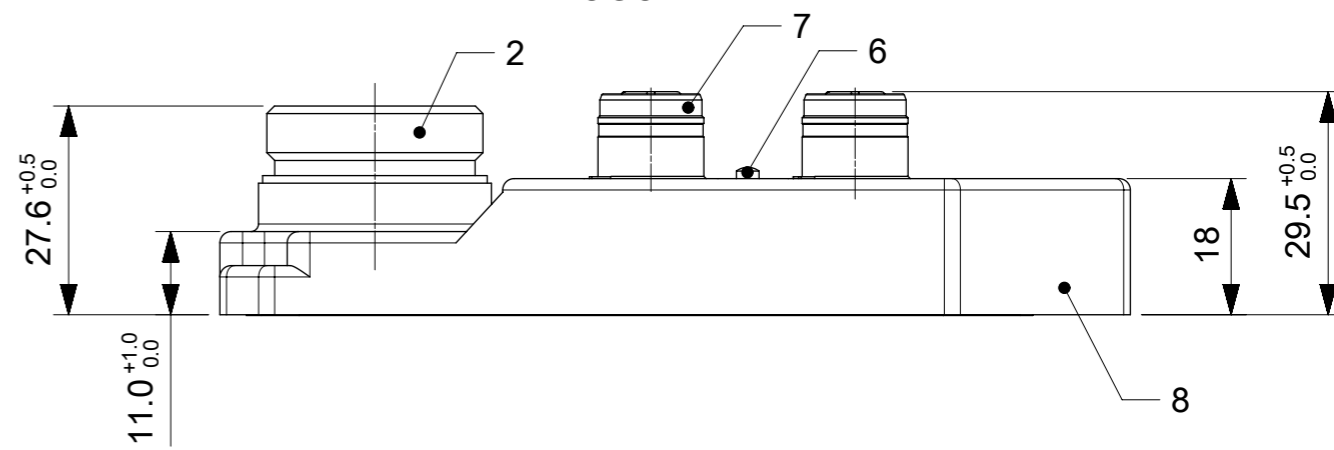
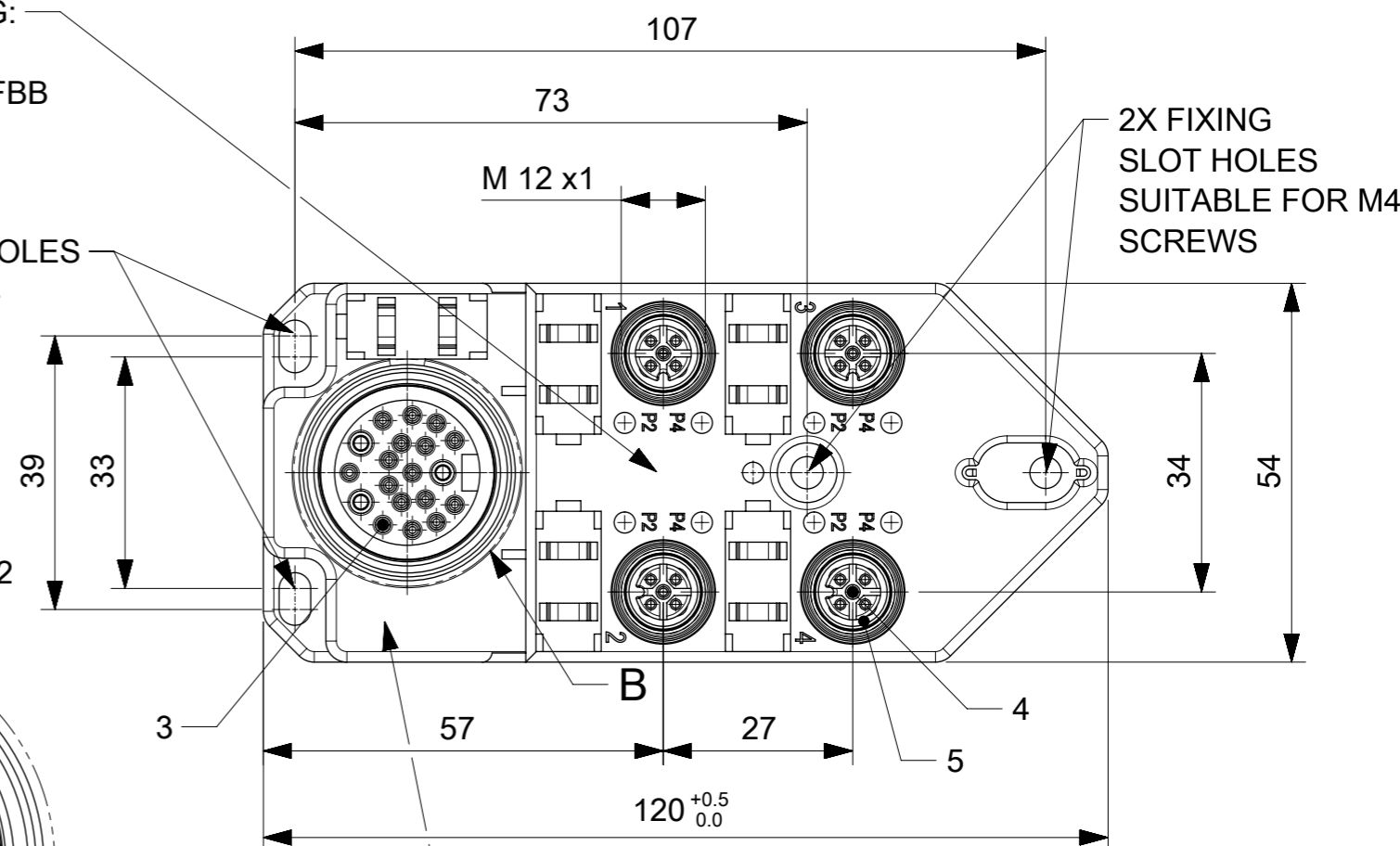
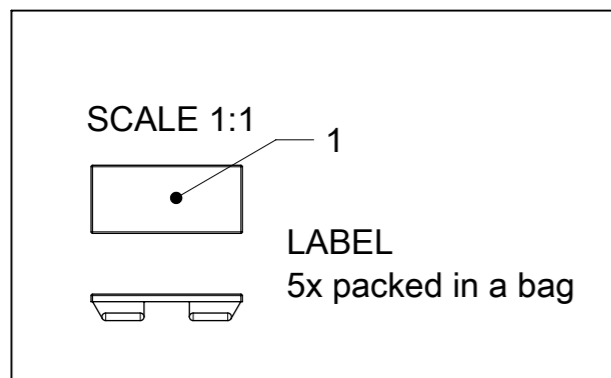
LASER PRINTING:
 PN: 120251XXXX
 ENG.: BKB403X-FBB
 PO: XXXXXXXXXX

2X FIXING SLOT HOLES
 SUITABLE FOR M4
 SCREWS

NOTE - PINS 5, 6, 7, 8 & 12
 NOT USED



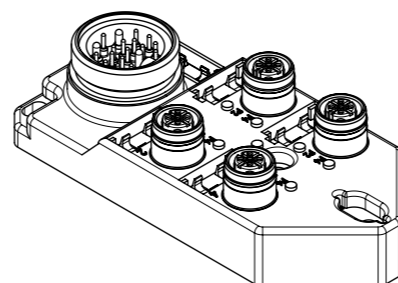
DETAIL B
 SCALE 2:1



GENERAL CHARACTERISTICS:

ELECTRICAL AND MECHANICAL DATA ACC. TO IEC 61076-2-101

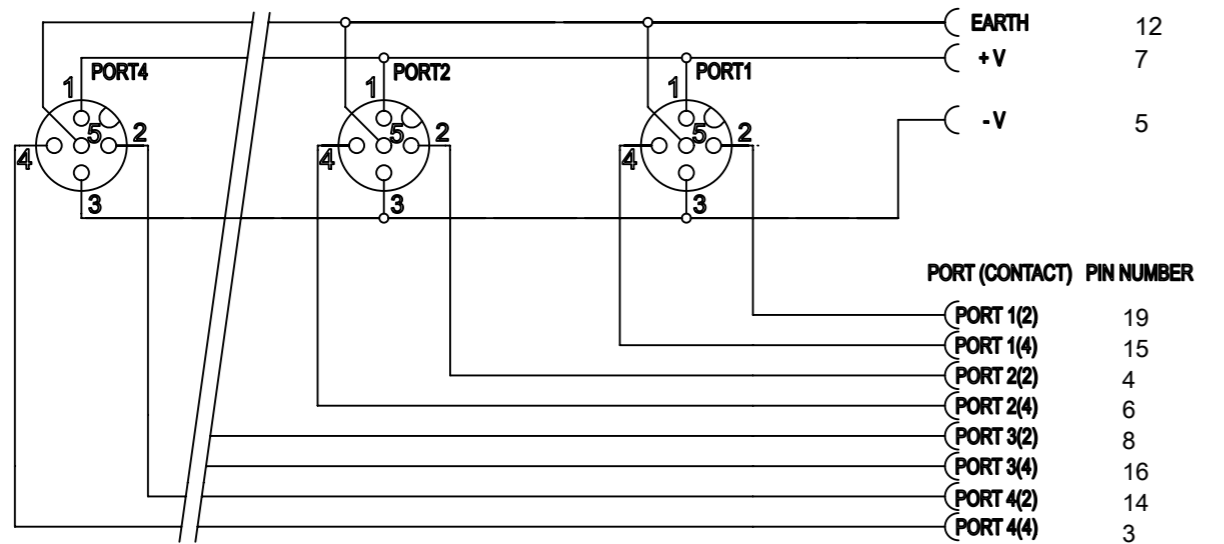
NOMINAL VOLTAGE: 10-30 V DC
 AMPERE RATING: 4 A PER PORT / 12 A MAX
 AMPERE RATING WITH UL REGISTRATION: 3 A PER PORT / 9 A MAX
 IP DEGREE OF PROTECTION: IP 67
 TEMPERATURE RANGE: -25°C to + 85°C



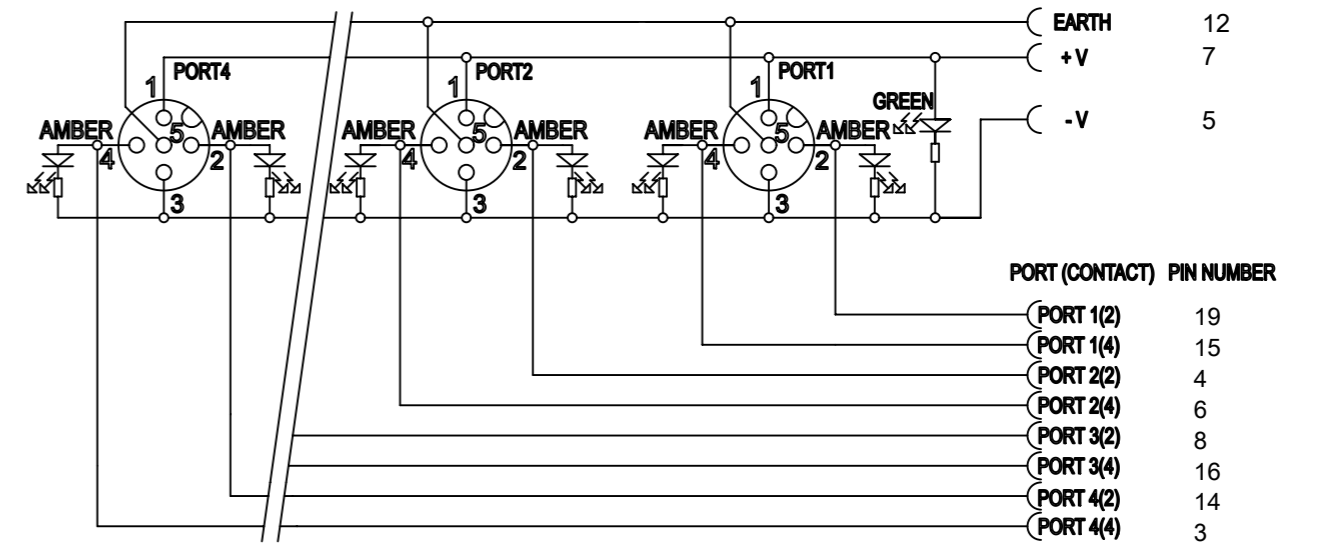
SCALE
 1:2

SYMBOLS		THIS DRAWING CONTAINS INFORMATION THAT IS PROPRIETARY TO MOLEX ELECTRONIC TECHNOLOGIES, LLC AND SHOULD NOT BE USED WITHOUT WRITTEN PERMISSION	
DIMENSION UNITS	SCALE	CURRENT REV DESC:	
mm	1:1	EC NO: 630686 DRWN: SSM 2019/01/02 CHK'D: RSILLER 2020/01/17 APPR: RSILLER 2020/01/17 INITIAL REVISION: DRWN: SSM 2019/01/02 APPR: RSILLER 2020/01/17	
GENERAL TOLERANCES (UNLESS SPECIFIED)			
ANGULAR TOL	± 1.0°		
4 PLACES	±		
3 PLACES	±		
2 PLACES	± 0.05	PRODUCT CUSTOMER DRAWING DOCUMENT NUMBER: 1202510088 DOC TYPE: PSD DOC PART: 000 REVISION: A	
1 PLACE	± 0.3	MATERIAL NUMBER: SEE TABLE 1 CUSTOMER: GENERAL MARKET SHEET NUMBER: 1 OF 2	
0 PLACES	± 0.5		
DRAFT WHERE APPLICABLE MUST REMAIN WITHIN DIMENSIONS		THIRD ANGLE PROJECTION	DRAWING: A3-SIZE

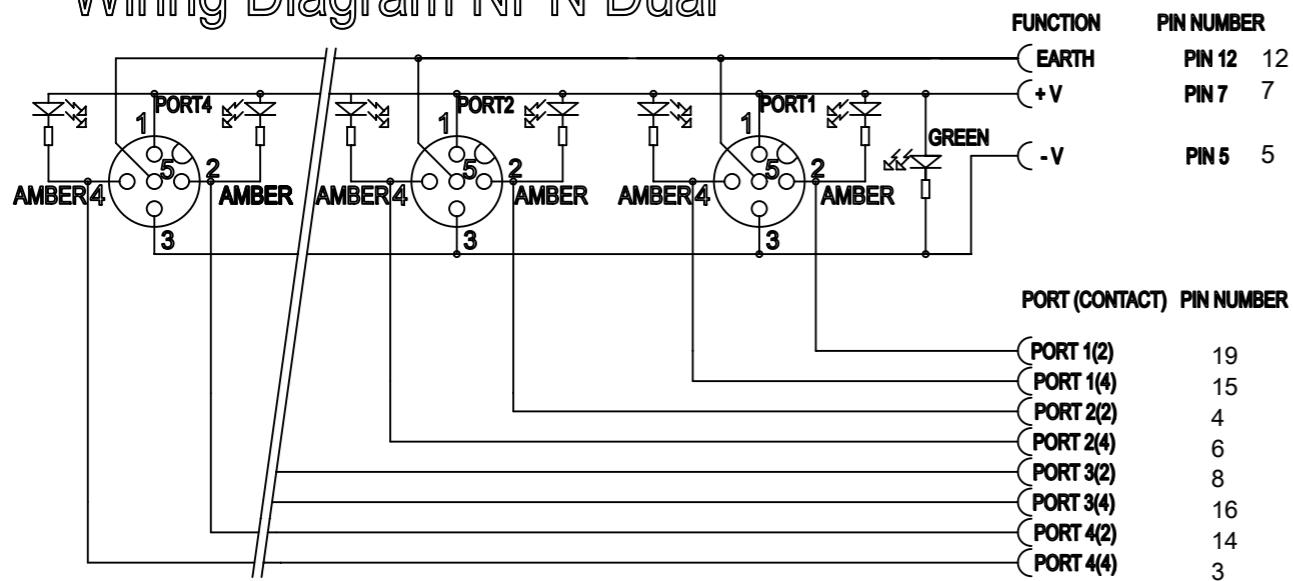
Wiring Diagram NON LED



Wiring Diagram PNP



Wiring Diagram NPN Dual



SYMBOLS DIMENSION UNITS: mm SCALE: 1:1 GENERAL TOLERANCES (UNLESS SPECIFIED): ANGULAR TOL: ± 1.0° 4 PLACES: ± 3 PLACES: ± 2 PLACES: ± 0.05 1 PLACE: ± 0.3 0 PLACES: ± 0.5 DRAFT WHERE APPLICABLE MUST REMAIN WITHIN DIMENSIONS	THIS DRAWING CONTAINS INFORMATION THAT IS PROPRIETARY TO MOLEX ELECTRONIC TECHNOLOGIES, LLC AND SHOULD NOT BE USED WITHOUT WRITTEN PERMISSION		CURRENT REV DESC: EC NO: 630686 DRWN: SSM 2019/01/02 CHK'D: RSILLER 2020/01/17 APPR: RSILLER 2020/01/17			
	PRODUCT CUSTOMER DRAWING					
	INITIAL REVISION: DRWN: SSM 2019/01/02 APPR: RSILLER 2020/01/17		DOCUMENT NUMBER: 1202510088	DOC TYPE: PSD	DOC PART: 000	REVISION: A
	THIRD ANGLE PROJECTION		DRAWING: A3-SIZE	SERIES: 120251	MATERIAL NUMBER: SEE TABLE 1	CUSTOMER: GENERAL MARKET