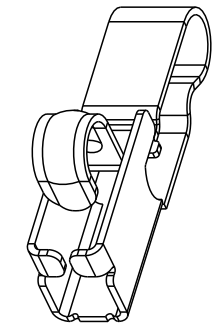
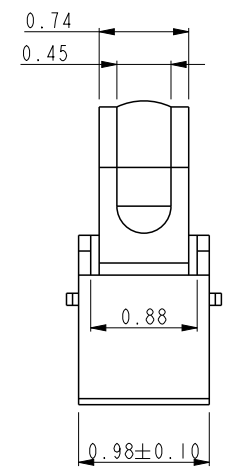
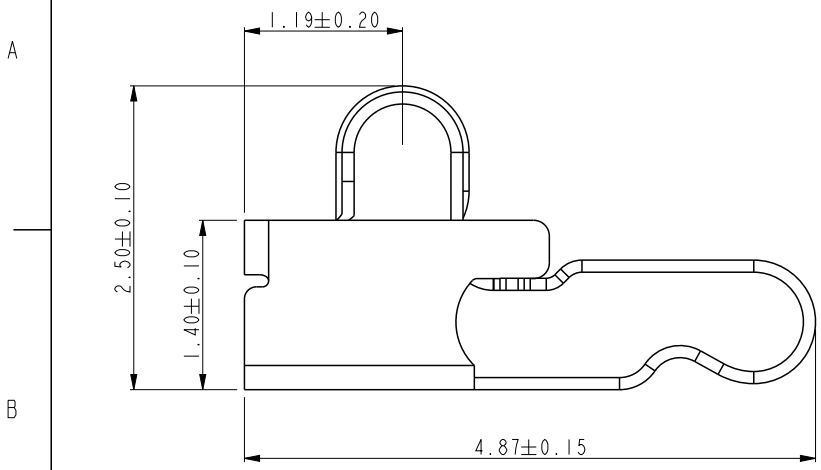


	DESCRIPTION
FCI	10104319-001RLF
	10104319-003RLF
	10104319-009RLF



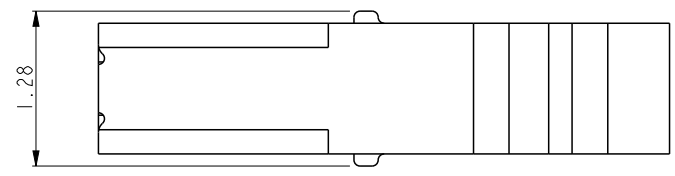
NOTES:
 1. MATERIAL: BERYLLIUM COPPER ALLOY.
 2. CONTACT PLATING:
 CONTACT AREA: PLATING 1um Au over 1.0/3.0 um Ni UNDERPLATE.
 or PLATING 0.05 to 0.15um Au over 1.0/3.0 um Ni UNDERPLATE.
 or PLATING 1um GXT over 1.0/3.0 um Ni UNDERPLATE.
 (1um GXT is 0.025~0.125um Au over 0.875um PdNi)
 SOLDER AREA : PLATING 0.05 to 0.15um Au over 1.0/3.0um Ni UNDERPLATE.
 3. PACKAGING: TAPE & REEL
 4. PART NUMBER DESCRIPTION:
 10104319-0 0 X X X

LF: LEAD FREE
 R : TAPE AND REEL
 CONTACT PLATING
 1 : 1um Au over Ni.
 3 : 0.05~0.15um Au over Ni.
 9 : 1um GXT over Ni.

rev	ecn no	dr	date
A	DG09-0331	NZ	2009-11-09
B	DG11-0048	SM	2011-02-22
C	ELX-DG-011079-1	ANDY	2012-03-27
-	-	-	-
-	-	-	-



Copyright FCI.



spec ref	*	dr	Louis Ng	2009/10/06	projection	mm	size	A4	scale	16.000	
tolerance std	ASME Y14.5	eng	Andy Lu	2012/03/27			ecn no		ELX-DG-011079-1		
TOLERANCES UNLESS OTHERWISE SPECIFIED		chr	Young Ou	2012/03/28			rel level		Released		
surface	✓	appr	Pei-Ming Zheng	2012/03/28	product family		-		-		
ASME Y14.5	linear	0.X	±0.3		title	ANTENNA CONNECTOR		dwg no	10104319		rev
		0.XX	±0.15								
		0.XXX	±0.050								
ASME Y14.5	angular	0°	±2°	www.fci.com	cat. no.	10076429	Product - Customer Drw		sheet 1 of 1		

ProjE File - REV C - 2009-06-09