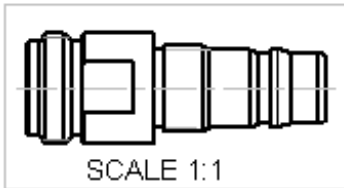
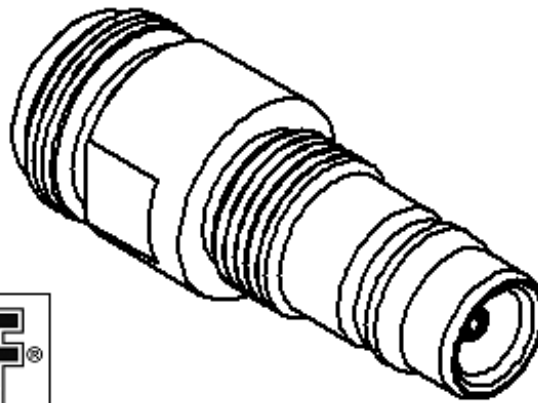
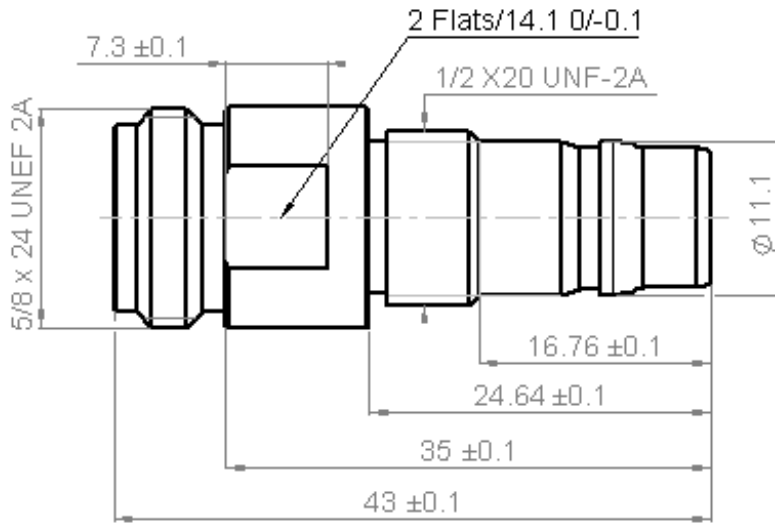


**QN FEMALE - N FEMALE ADAPTER**

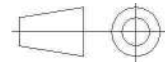
**R191.760.010**

**N FEMALE ADAPTER**

Série : ADAPT



All dimensions are in mm.



COMPONENTS	MATERIALS	PLATING (µm)
<b>BODY</b>	<b>BRASS</b>	<b>ARGENT 3 SUR BBR 0.5</b>
<b>CENTER CONTACT</b>	<b>BERYLLIUM COPPER</b>	<b>ARGENT 5 PASSIVE SUR CUIVRE 0.5</b>
<b>OUTER CONTACT</b>		
<b>INSULATOR</b>	<b>PTFE</b>	
<b>GASKET</b>		
<b>OTHERS PARTS</b>		
-	-	-
-	-	-

Issue : 0730 A

In the effort to improve our products, we reserve the rights to make changes judged to be necessary.



**QN FEMALE - N FEMALE ADAPTER**

**R191.760.010**

**N FEMALE ADAPTER**

Série : ADAPT

**PACKAGING**

**SPECIFICATION**

Standard	Unit	Other
	'W' option	Contact us

**ELECTRICAL CHARACTERISTICS**

**ENVIRONMENTAL**

Impedance	<b>50</b>	$\Omega$
Frequency	<b>0-6*</b>	GHz
VSWR	<b>1.05 + 0,0250</b>	x F(GHz) Maxi
Insertion loss	<b>0.048</b>	$\sqrt{F}$ (GHz) dB Maxi
RF leakage	- ( <b>**90</b> )	- F(GHz)) dB Maxi
Voltage rating	<b>1400</b>	Veff Maxi
Dielectric withstanding voltage	<b>2500</b>	Veff mini
Insulation resistance	<b>5000</b>	M $\Omega$ mini

Operating	<b>-55/+125</b>	$^{\circ}$ C
Hermetic seal	<b>NA</b>	Atm.cm3/s
Panel leakage	<b>NA</b>	

**MECHANICAL CHARACTERISTICS**

**OTHER CHARACTERISTICS**

Center contact retention		
Axial force – Mating end	<b>27</b>	N mini
Axial force – Opposite end	<b>27</b>	N mini
Torque	<b>NA</b>	N.cm mini

\*usable: 0-11GHz  
 \*\*RF Leakage: -80dB min 3<F<6GHz  
 \*\*\*PIM3: -112dBm(2x20W at 1.8GHz)

Recommended torque		
Mating	<b>N</b>	<b>0</b> N.cm
	<b>QN</b>	<b>0</b> N.cm
		<b>0</b> N.cm
Panel nut		N.cm

Mating life	<b>100</b>	Cycles mini
Weight	<b>35,8400</b>	g

Issue : 0730 A

In the effort to improve our products, we reserve the rights to make changes judged to be necessary.

