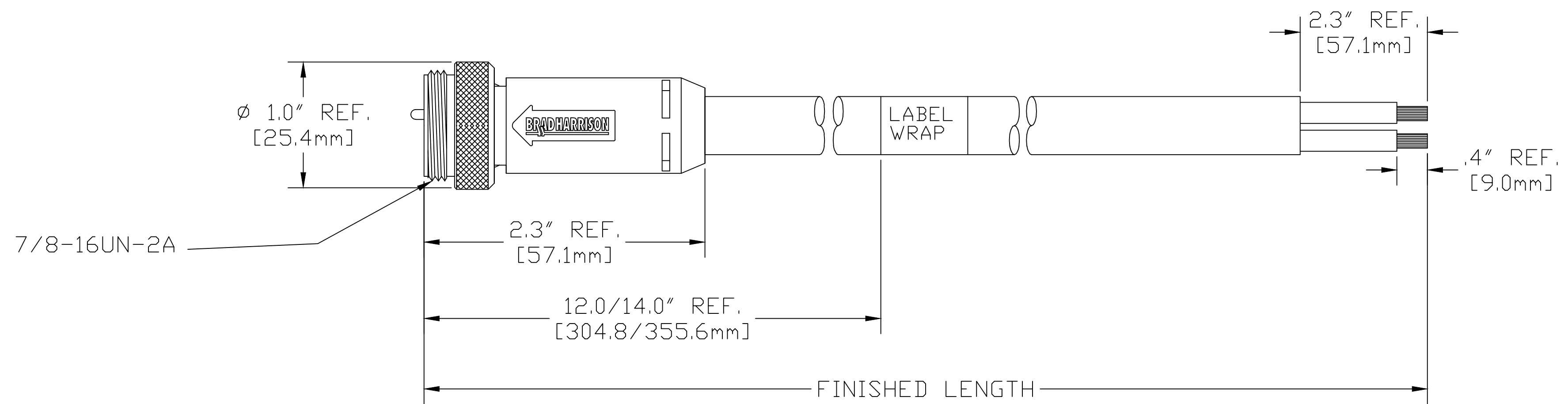


13	12	11	10	9	8	7	6	5	4	3	2	1
MATERIAL NUMBER	OLD PART NUMBER	FINISHED LENGTH										
1300240005	DNDF01A-M010	3.28' +3.50" -0 [1.0M +88.9mm -0]										



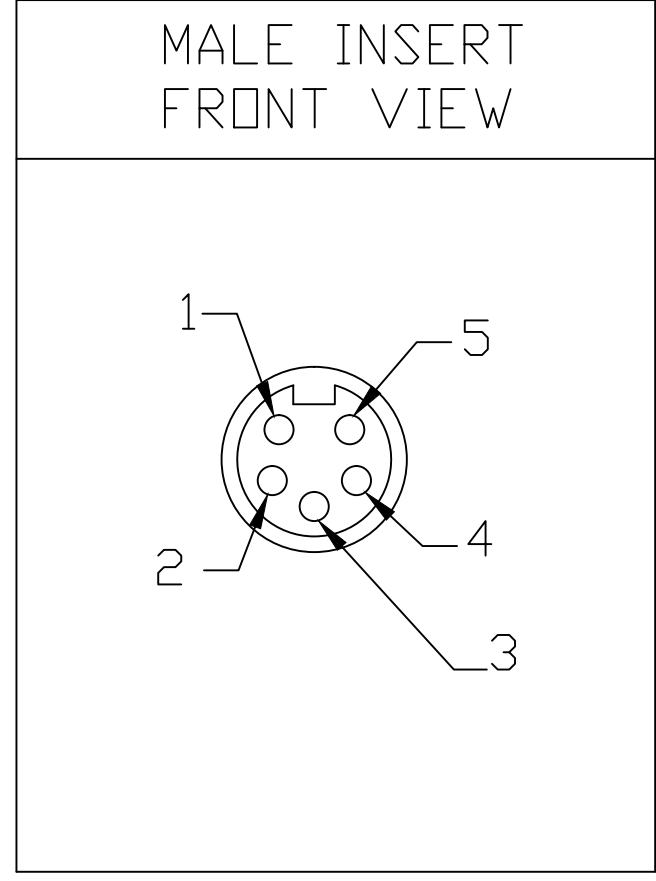
DNDF01A-M010

Cable type
DEVICENET
(FLEX DROP)

cable length
M010----1 Meter
M100----10 Meter

1	DRAIN
2	RED
3	BLACK
4	WHITE
5	BLUE

WIRING DIAGRAM



CONTACT:	GOLD/NICKEL OVER COPPER ALLOY
INSERT:	PVC, GRAY
COUPLING NUT:	ZINC DIE CAST, BLACK E-COATED
MOLDED BODY:	RITFLEX, GRAY
VOLTAGE RATING:	300 AC/DC
AMPERAGE RATING:	4 AMPS
PROTECTION:	IP67
OPERATING TEMPERATURE:	-20°C TO 80°C
CERTIFICATIONS:	UL RECOGNIZED FILE NO. E152210 CSA CERTIFIED FILE NO. LR6837

INITIAL RELEASE EC NO: IFC2014-0457 DRWN: GGUSTAFS 2013/08/29 CHKD: BARDEN APPR: BWOODMAN 2013/10/07 REV	QUALITY SYMBOL	GENERAL TOLERANCES (UNLESS SPECIFIED)		DIMENSION STYLE	SCALE	DESIGN UNITS	THIRD ANGLE PROJECTION	
	▽=0 ∇=0	mm	INCH	IN/MM	NTS	INCH		
		4 PLACES ±---	±---	DRAWN BY DATE	TITLE			
		3 PLACES ±---	±.005	EBRACKEN 2013/06/18	MINI-CHANGE DEVICENET 5 POLE 90D FEMALE 22/24 DROP CABLE GRY TPE			
	2 PLACES ±0.13	±.010	CHECKED BY DATE	MOLEX INCORPORATED				
	1 PLACE ±0.25	±.020	BARDEN 2013/09/12	SD-130024-020				
	ANGULAR ±.5°		APPROVED BY DATE	SHEET NO.				
	DRAFT WHERE APPLICABLE MUST REMAIN WITHIN DIMENSIONS		BWOODMAN 2013/10/07	1 OF 1				
			MATERIAL NO.	THIS DRAWING CONTAINS INFORMATION THAT IS PROPRIETARY TO MOLEX INCORPORATED AND SHOULD NOT BE USED WITHOUT WRITTEN PERMISSION				
			SEE CHART					
			SIZE C					