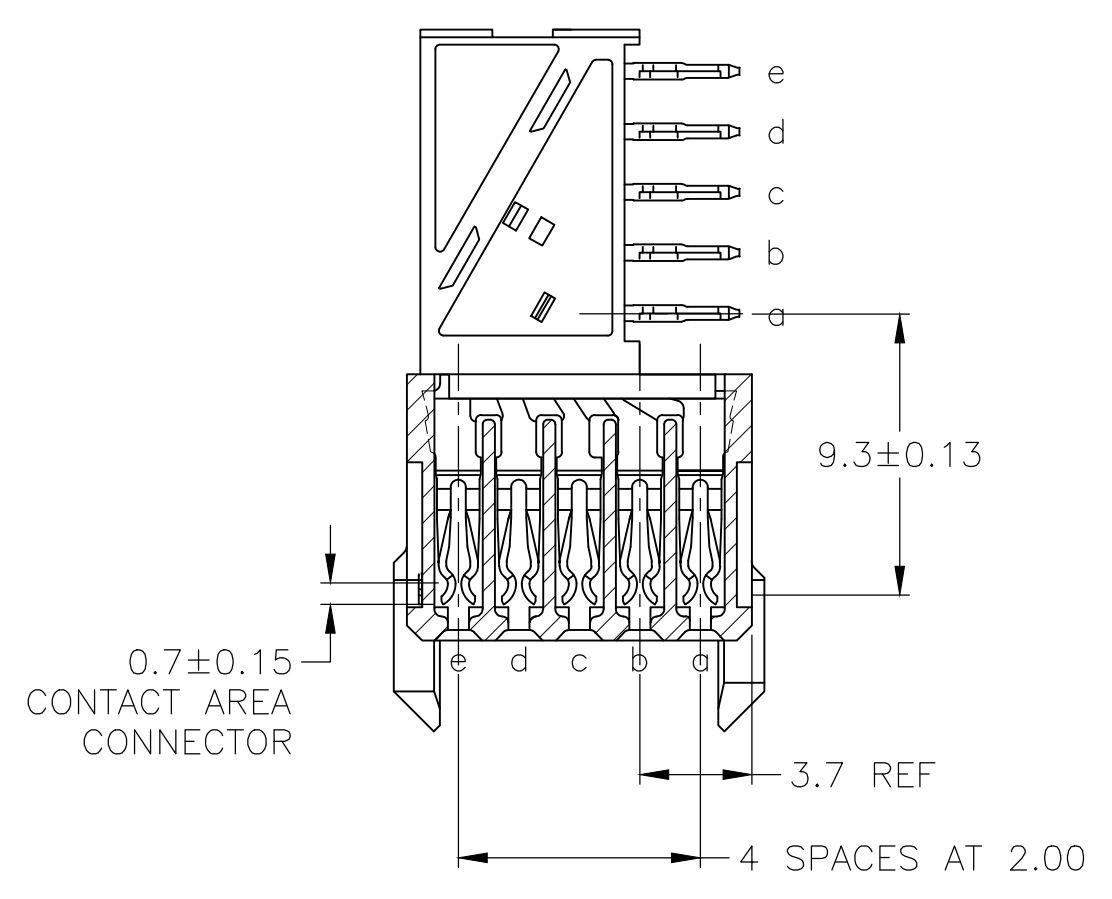
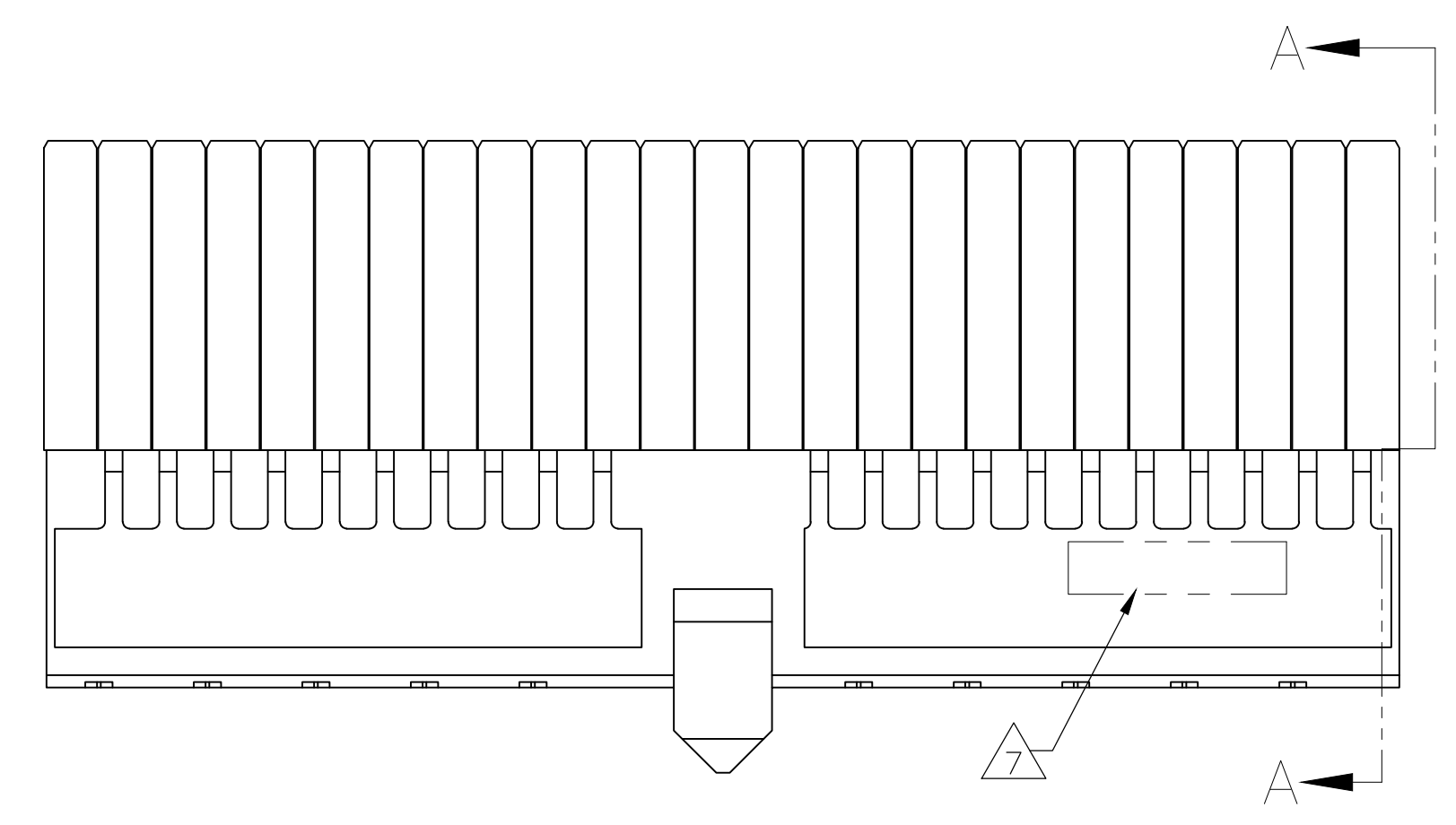
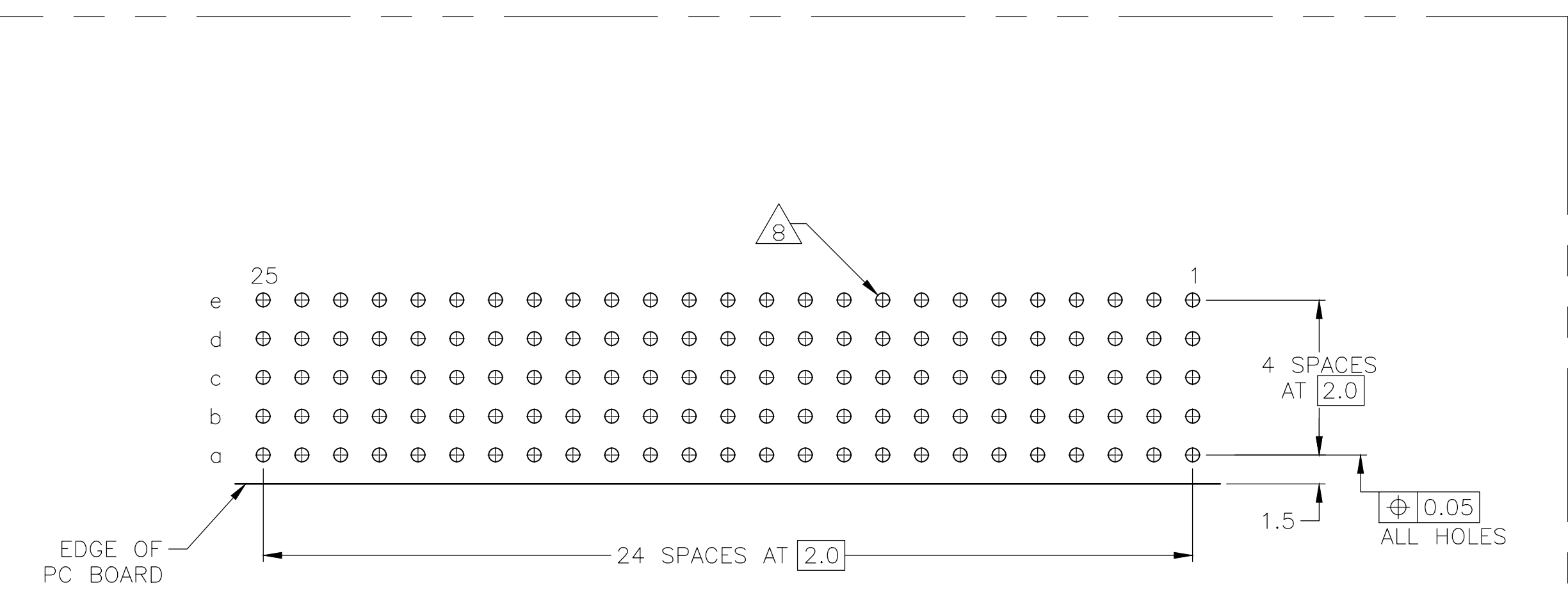
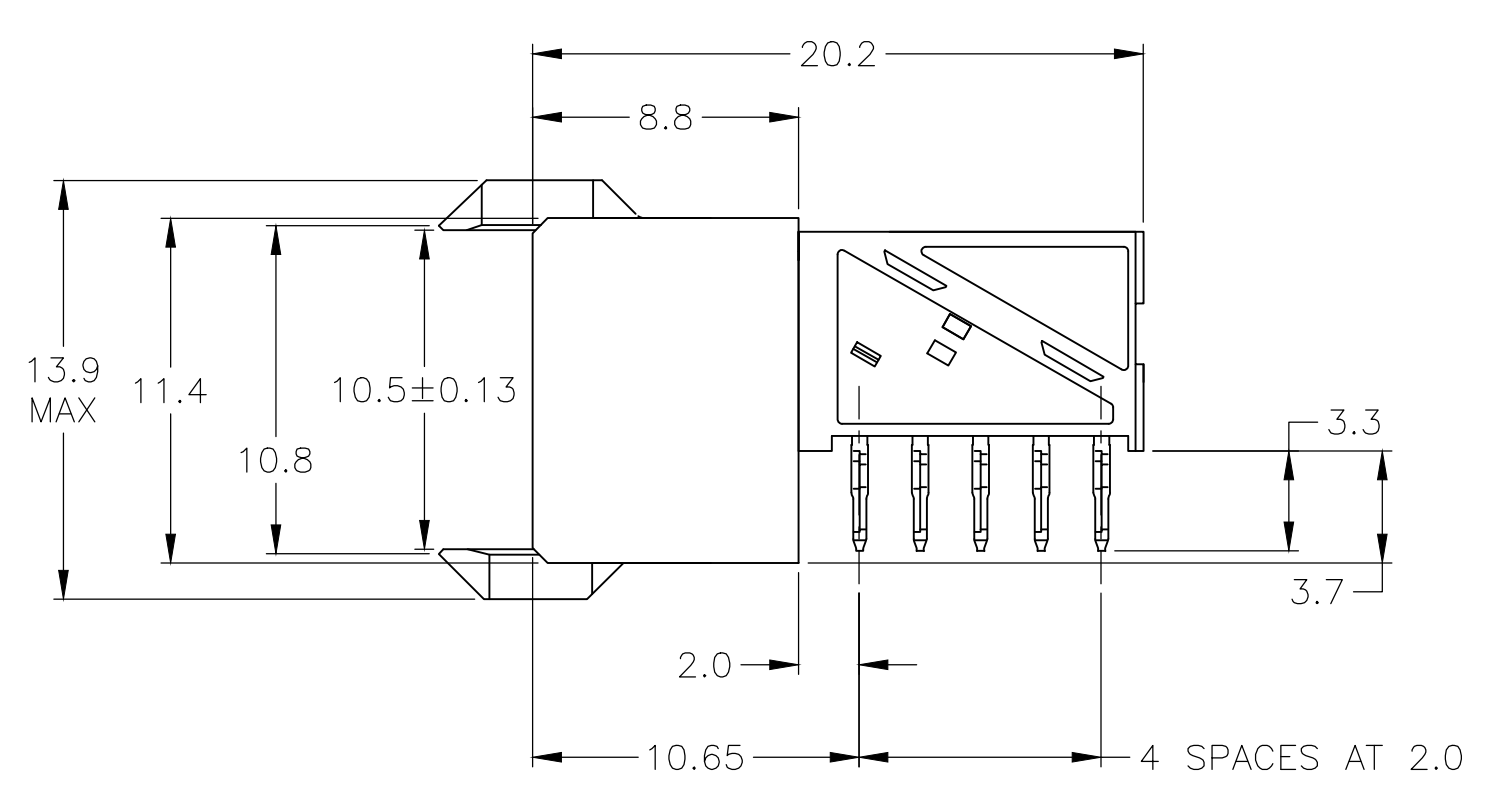
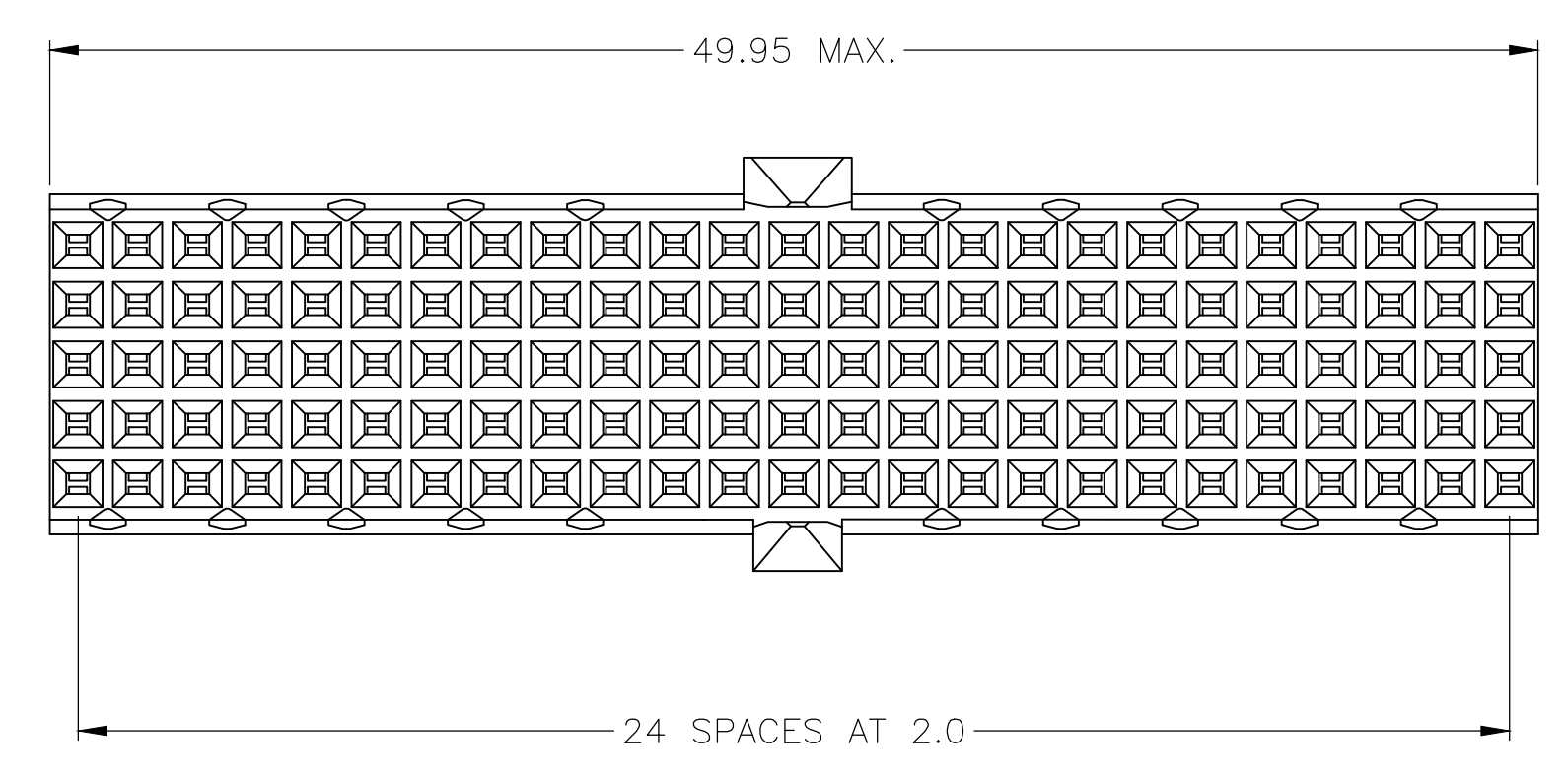


REVISIONS				
REV	DESCRIPTION	DATE	BY	APPV
E	REV PER ECR-18-007319	12DEC2018	FL	HL



SECTION A-A

- 1 MATERIAL:
CONTACT: PHOSPHOR BRONZE.
HOUSING: GLASS-FILLED POLYESTER.
- 2 GENERAL PLATING SPECIFICATION: UNDERPLATING (ENTIRE CONTACT): 1.27µm MIN NICKEL AND ACTION PIN: 0.5µm MIN TIN.
FOR PLATING OF MATING SURFACES SEE APPLICABLE SPECIFICATION REFERENCE FOR EACH DASH NUMBER.
- 3 CONFORMS TO ALL TESTING ACCORDING TO IEC 61076-4-101 PERFORMANCE LEVEL 2.
- 4 CONFORMS TO ALL TESTING ACCORDING TO IEC 61076-4-101 PERFORMANCE LEVEL 1.
- 5 CONNECTOR TESTED AND QUALIFIED AGAINST TELCORDIA GR-1217-CORE QUALITY LEVEL 3, CENTRAL OFFICE APPLICATIONS.
- 6 CONNECTOR TESTED AND QUALIFIED AGAINST TELCORDIA GR-1217-CORE QUALITY LEVEL 3, UNCONTROLLED ENVIROMENT APPLICATIONS.
- 7 CONNECTOR MARKED WITH PART NUMBER AND DATE CODE.
ADDITIONAL CHARACTERS OR MARKINGS, AS WELL AS THE LOCATION OF THE MARKINGS, MAY BE ADDED FOR TRACEABILITY BASED UPON MANUFACTURERS DISCRETION.
- 8 HOLE PATTERN FOR FEMALE CONNECTOR TYPE A/B 125 PLATED-THROUGH HOLES AT 2x2mm SQUARE GRID.
- 9 CONNECTOR LUBRICATED WITH BELLCORE APPROVED LUBRICANT. TECHNICAL REFERENCE TR-NWT-001217 ISSUE 1, SEPT 1992.
- 10 0.76µm MIN. GOLD PLATING AT MATING SURFACES.



PCB HOLE DIM ACTION PIN
FOR DETAILS SEE
APPLICATION SPECIFICATION

RECOMMENDED PCB LAYOUT
(COMPONENT SIDE AS SHOWN)

	2	3	10	3-5646574-0
OBSOLETE	2	3	9	1 5646574-9
OBSOLETE	2	3	9	5646574-9
	2	3	4	5646574-4
	2	3	3	5646574-1
FINISH				PART NUMBER

THIS DRAWING IS A CONTROLLED DOCUMENT.		DIN B. CARDO 11MAR05	STE TE Connectivity	
DIMENSIONS: mm		CHK G. SKIPPER 11MAR05	NAME RECEPTACLE ASSEMBLY, Z-PACK Z-PACK 2mm HM, TYPE A/B	
TOLERANCES UNLESS OTHERWISE SPECIFIED:		APPV G. SKIPPER 11MAR05	PRODUCT SPEC 108-19082	
0-PLC ±		APPLICATION SPEC 114-19029		
1-PLC ±0.2		SIZE CAGE CODE DRAWING NO. A1 00779 C=5646574		
2-PLC ±		RESTRICTED TO		
3-PLC ±		WEIGHT 0.000000		
4-PLC ±		CUSTOMER DRAWING		
ANGLES ±		SCALE 4:1 SHEET 1 of 1 REV E		
FINISH SEE TABLE				