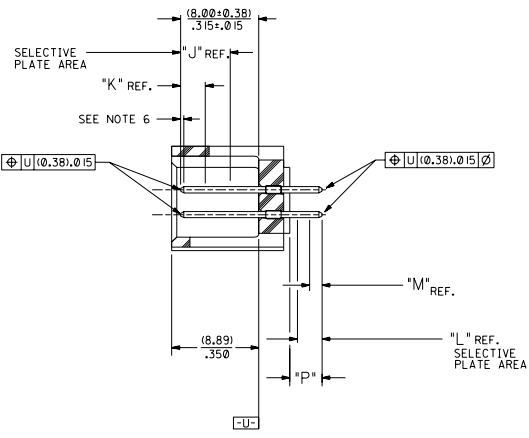
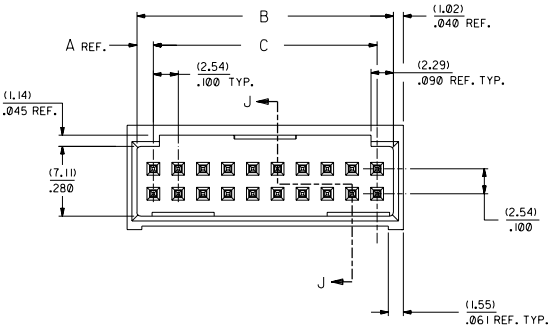
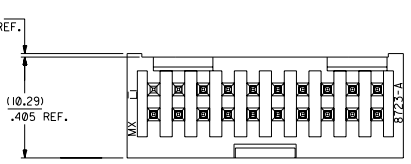
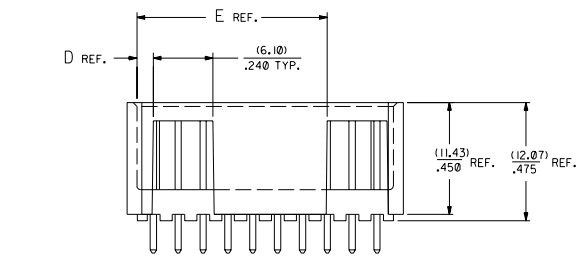


RECOMMENDED P.C. BOARD HOLE LAYOUT



SECTION J-J



NOTES:

- 1- 20 CIRCUIT SIZE SHOWN FOR ILLUSTRATION PURPOSES.
- 2- PIN PUSHOUT FORCE: (17.79 N) ¼ LBS.
- 3- PINS MUST MEET SOLDERABILITY SPEC. MIL-STD-202 METHOD 208B.
- 4- WINDOW NOT AVAILABLE ON 6 AND 8 CIRCUIT SIZE.
- 5- FOR CHARTED DIMENSIONS AND ASSEMBLY NO.S NOT SHOWN ON THIS SHEET - SEE SHEET 2.
- 6- ROW TO ROW PIN HEIGHT VARIATION MUST NOT EXCEED (0.13) / .005 IN.
- 7- PRODUCT CONFORMS TO PS-8723.

MATERIAL:

SHROUDED WAFER: GLASS FILLED POLYESTER, 94V-0; COLOR: BLACK.
 PINS: PHOSPHOR BRONZE,
 SEE SHEET 2 FOR FINISHES.

ASSEMBLY STYLE "A" AND "B"

CKT.	DIM. "A"		DIM. "B"		DIM. "C"		DIM. "D"		DIM. "E"	
	INCH	MILL	INCH	MILL	INCH	MILL	INCH	MILL	INCH	MILL
06	(1.68) .066	(8.43) .332	(5.08) .200	(1.68) .066						
08	(1.68) .066	(10.97) .432	(7.62) .300	(1.68) .066						
10	(1.68) .066	(13.51) .532	(10.16) .400	(4.22) .166						
12	(1.68) .066	(16.05) .632	(12.70) .500	(4.22) .166						
14	(1.68) .066	(18.59) .732	(15.24) .600	(4.22) .166						
16	(1.68) .066	(21.13) .832	(17.78) .700	(4.22) .166						
18	(1.68) .066	(23.67) .932	(20.32) .800	(4.22) .166						
20	(1.68) .066	(26.21) .1032	(22.86) .900	(4.22) .166						
22	(1.68) .066	(28.75) .1132	(25.40) .1000	(4.22) .166						
24	(1.68) .066	(31.29) .1232	(27.94) .1100	(4.22) .166						
26	(1.68) .066	(33.83) .1332	(30.48) .1200	(4.22) .166						
28	(1.68) .066	(36.37) .1432	(33.02) .1300	(4.22) .166						
30	(1.68) .066	(38.91) .1532	(35.56) .1400	(4.22) .166						
32	(1.68) .066	(41.45) .1632	(38.10) .1500	(4.22) .166						
34	(1.68) .066	(43.99) .1732	(40.64) .1600	(4.22) .166						
36	(1.68) .066	(46.53) .1832	(43.18) .1700	(4.22) .166						
38	(1.68) .066	(49.07) .1932	(45.72) .1800	(4.22) .166						
40	(1.68) .066	(51.61) .2032	(48.26) .1900	(4.22) .166						
42	(1.68) .066	(54.15) .2132	(50.80) .2000	(4.22) .166						
44	(1.68) .066	(56.69) .2232	(53.34) .2100	(4.22) .166						
46	(1.68) .066	(59.23) .2332	(55.88) .2200	(4.22) .166						
48	(1.68) .066	(61.77) .2432	(58.42) .2300	(4.22) .166						
50	(1.68) .066	(64.31) .2532	(60.96) .2400	(4.22) .166						
52	(1.68) .066	(66.85) .2632	(63.50) .2500	(4.22) .166						
54	(1.68) .066	(69.39) .2732	(66.04) .2600	(4.22) .166						
56	(1.68) .066	(71.93) .2832	(68.58) .2700	(4.22) .166						
58	(1.68) .066	(74.47) .2932	(71.12) .2800	(4.22) .166						
60	(1.68) .066	(77.01) .3032	(73.66) .2900	(4.22) .166						
62	(1.68) .066	(79.55) .3132	(76.20) .3000	(4.22) .166						
64	(1.68) .066	(82.09) .3232	(78.74) .3100	(4.22) .166						
66	(1.68) .066	(84.63) .3332	(81.28) .3200	(4.22) .166						
68	(1.68) .066	(87.17) .3432	(83.82) .3300	(4.22) .166						
70	(1.68) .066	(89.71) .3532	(86.36) .3400	(4.22) .166						
72	(1.68) .066	(92.25) .3632	(88.90) .3500	(4.22) .166						

- U ADD -3803 OPT
DIP-2004-2268
DMORGAN 04/05/20
- T LEAD FREE
USP2004-179
RW WHITE 04/04/26
- S ADD -3802 OPTION
ECP #DIP-2004-D02
DMORGAN 04/01/2
- R2 TAB DIF DIM 6 CIR
ECP #DIP 0999-0145
DMORGAN 58/09/01
- R1 ADD WDG LATCH NOTE
ECP #DIP 0998-0399
DMORGAN 58/06/23
- R ADDED SHEET 7
- O REMOVE FDP NO.S
PER ECR NO US0225
05-04-93 B.S.
- P CHGD WINDOW NOTES
PER ECR NO US30316
05-04-93 B.S.
- O CHANGED MATERIAL
PER ECR NO US0146
01-22-93 B.S.
- R2 REVISED & REDRAWN
PER ECR NO US2073
05-29-92 B.S.
- LTR REVISIONS

DIMS. SHOWN METRIC INCH		REVISE ONLY ON CAD SYSTEM	
TITLE SALES ASSEMBLY		DATE 12/92/07/17	
WAFER - STRAIGHT MT. FULLY SHROUDED		DRAWN BY DA D	
.1000 GRID - FOR USE W/ .0025 SQ. PINS		CHECKED BY DA D	
WITH .066 END WALLS		DESIGNED BY DA D	
MOLEX INCORPORATED		MFG. IN U.S.A.	
SEE CHART		PART NO. SDA-8723-*****	
SCALE 4 : 1		DATE 12/92/07/17	

