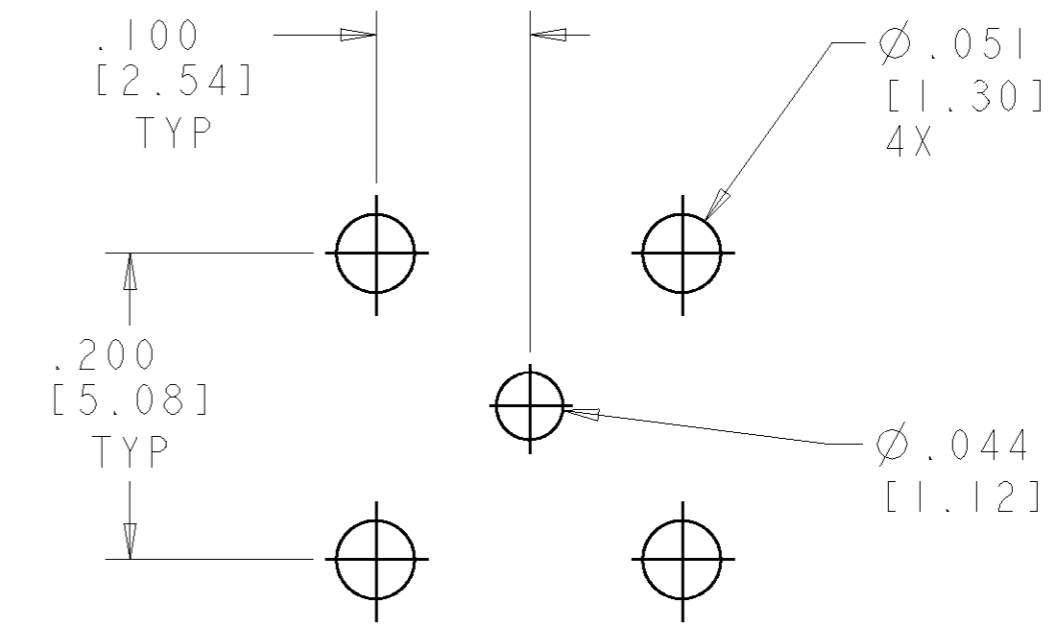
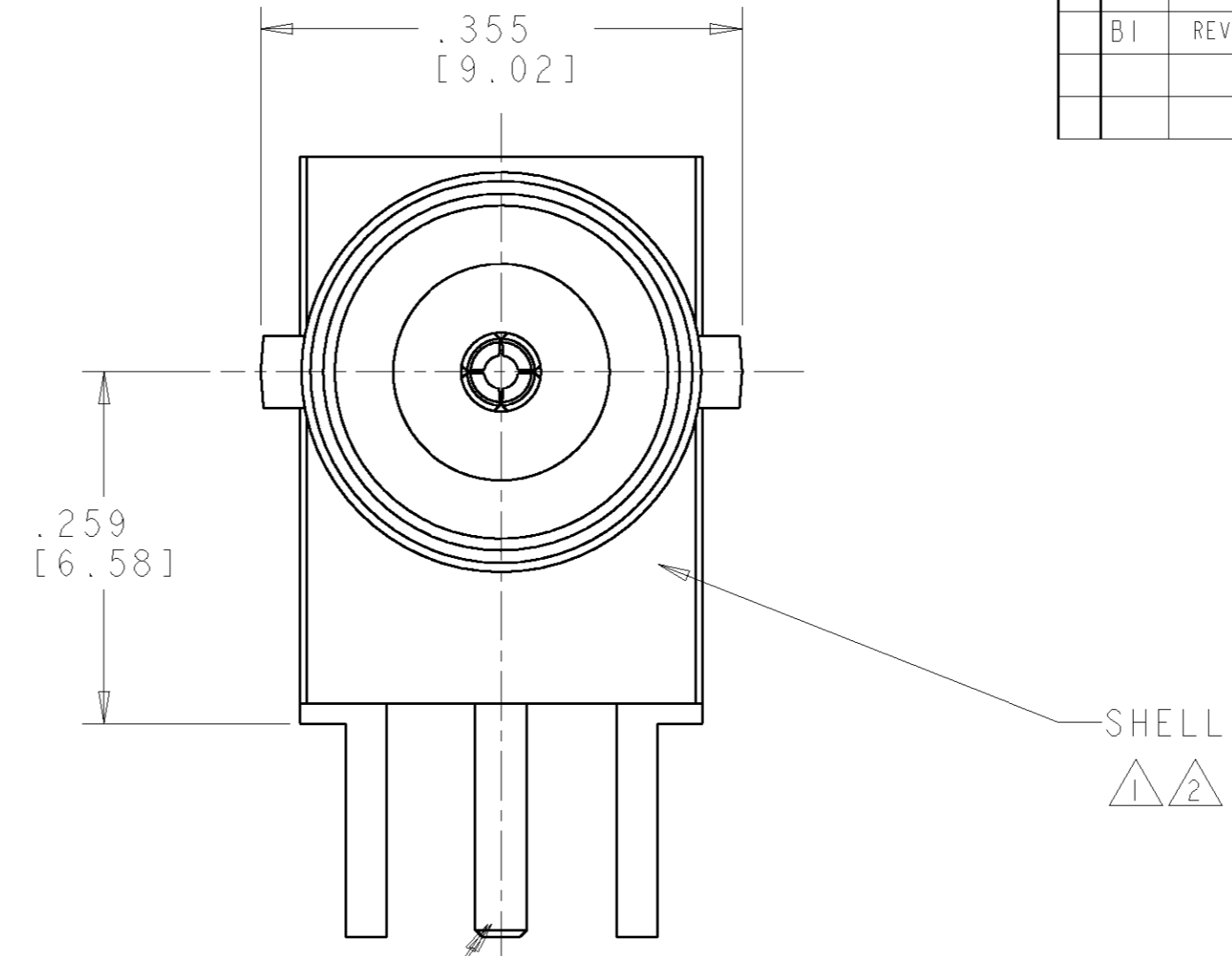
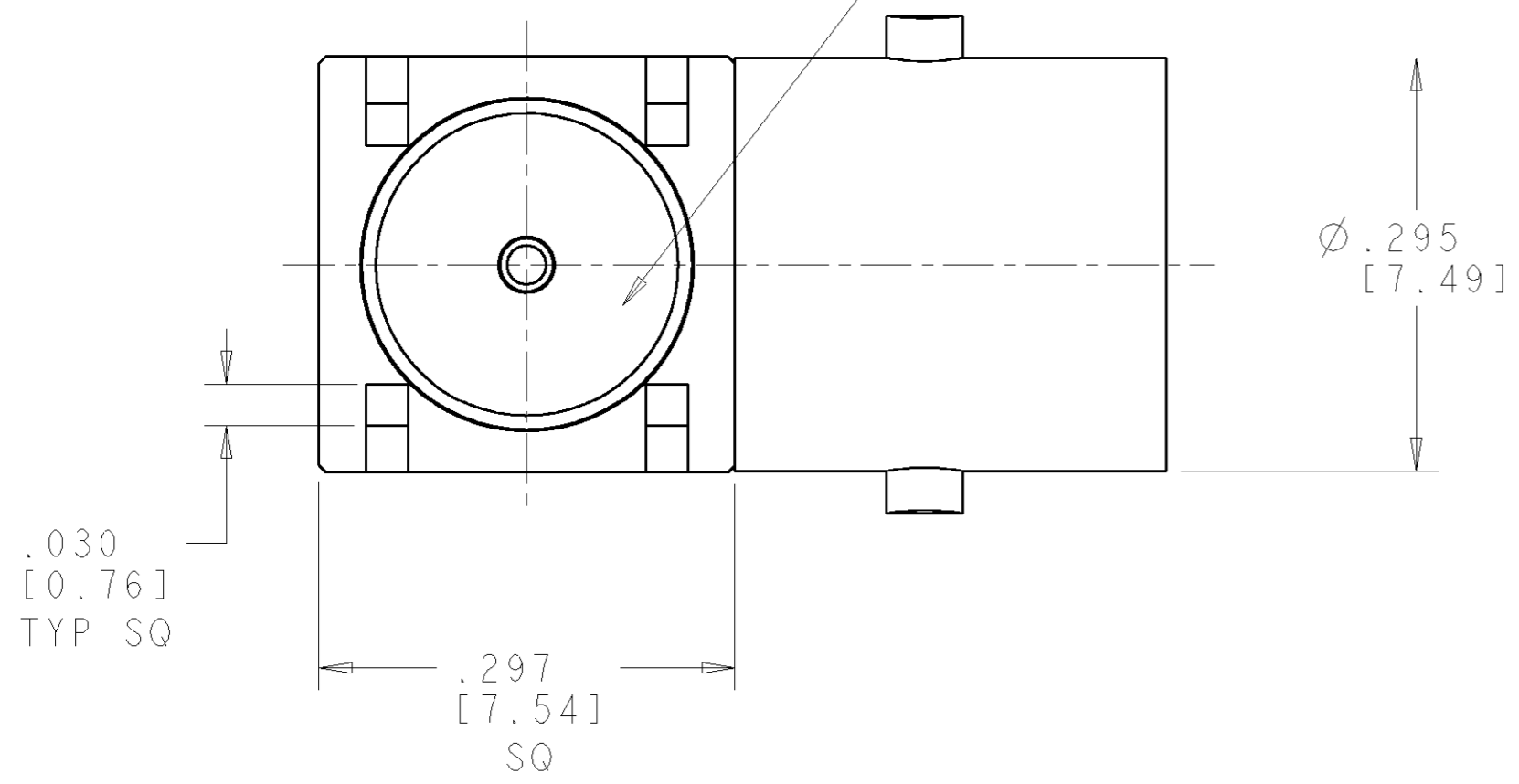
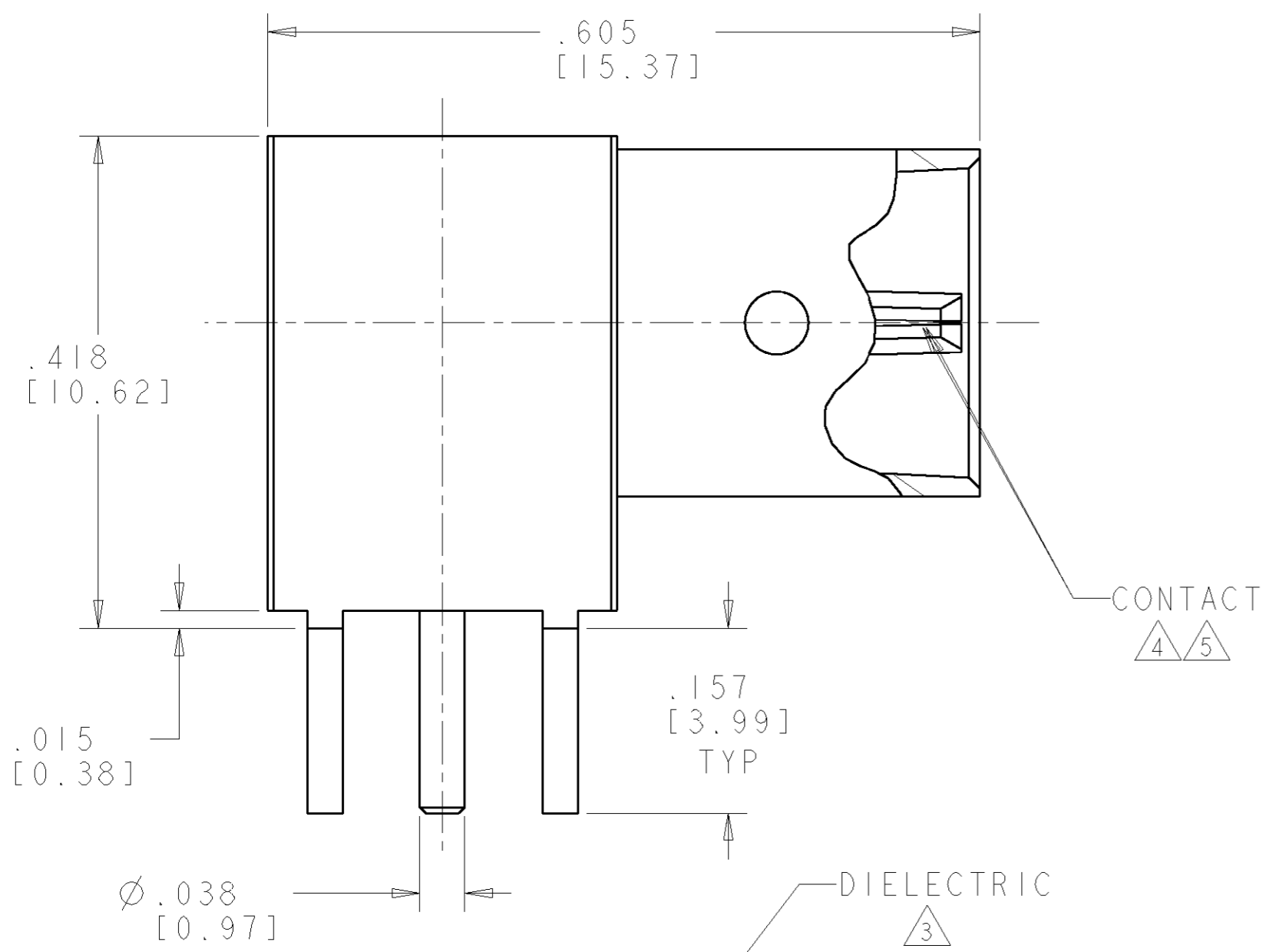


THIS DRAWING IS UNPUBLISHED. RELEASED FOR PUBLICATION 20  
 © COPYRIGHT 20 BY TYCO ELECTRONICS CORPORATION. ALL RIGHTS RESERVED.

| LOC | DIST | REVISIONS |     |                           |           |     |      |
|-----|------|-----------|-----|---------------------------|-----------|-----|------|
|     |      | P         | LTR | DESCRIPTION               | DATE      | DWN | APVD |
| AJ  | 16   | B         |     | REV PER 0S14-0345-04      | 09AUG2004 | KW  | KW   |
|     |      | BI        |     | REVISED PER ECO-06-011232 | 19MAY2006 | KS  | KW   |



RECOMMENDED PCB LAYOUT  
 TOLERANCE: ±.003 [0.08]

- ① BRASS PER ASTM-B-16
- ② NICKEL PLATE PER QQ-N-290
- ③ PTFE PER ASTM-D-1710
- ④ PHOSPHOR BRONZE PER ASTM-B-139
- ⑤ GOLD PLATE PER ASTM-B488

6 MATING CABLE PLUGS MUST BE STRAIN RELIEVED TO PREVENT DAMAGE TO PCB JACK CAUSED BY SIDE LOAD

1274572-1  
 PART NUMBER

|   |  |                                 |   |                    |
|---|--|---------------------------------|---|--------------------|
| THIS DRAWING IS A CONTROLLED DOCUMENT FOR TYCO ELECTRONICS CORPORATION. IT IS SUBJECT TO CHANGE AND THE CONTROLLING ENGINEERING ORGANIZATION SHOULD BE CONTACTED FOR THE LATEST REVISION. |  | DWN<br>K. WEIDNER<br>05MAY2003  | Tyco Electronics<br>Harrisburg, PA 17105-3608 |                    |
| DIMENSIONS:<br>INCHES [mm]  |  | CHK<br>G. MICHAEL<br>08JAN2004  | NAME<br>JACK, R/A, PCB, MINI BNC              |                    |
| TOLERANCES UNLESS OTHERWISE SPECIFIED:<br>0 PLC ±<br>1 PLC ±<br>2 PLC ±<br>3 PLC ±.005 [0.13]<br>4 PLC ±<br>ANGLES ±2°<br>FINISH  |  | APVD<br>K. WEIDNER<br>08JAN2004 | PRODUCT SPEC<br>108-2159                      |                    |
| MATERIAL  |  | APPLICATION SPEC                | SIZE<br>A2                                    | CAGE CODE<br>00779 |
|   |  | WEIGHT                          | DRAWING NO<br>C-1274572                       | RESTRICTED TO      |
|   |  | CUSTOMER DRAWING                | SCALE<br>8:1                                  | SHEET<br>1 OF 1    |