

PART NAME: KNOB SCALE: 1:1 DATE: 11/30/45 DR. BY JVA

THIS DRAWING IS THE PROPERTY OF DAVIES MOLDING COMPANY, IS SUBMITTED SOLELY AS A DESIGN OR ENGINEERING PROJECT. WE ACCEPT NO RESPONSIBILITY WHATSOEVER FOR THE PRACTICAL APPLICATION OF THE PIECES MADE TO THIS DESIGN.

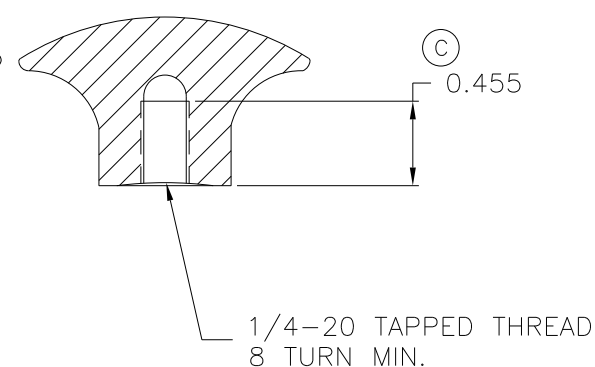
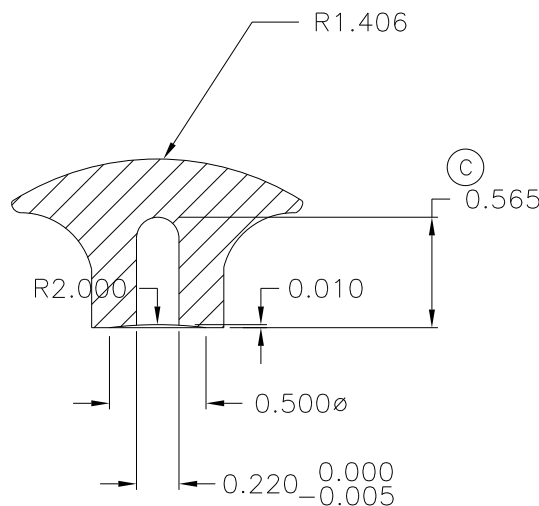
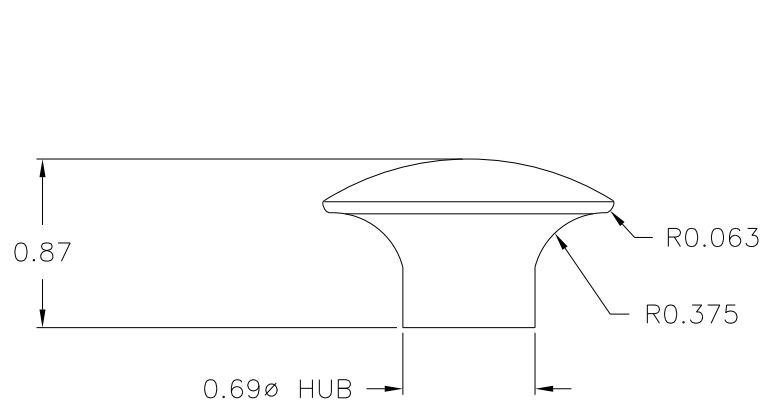
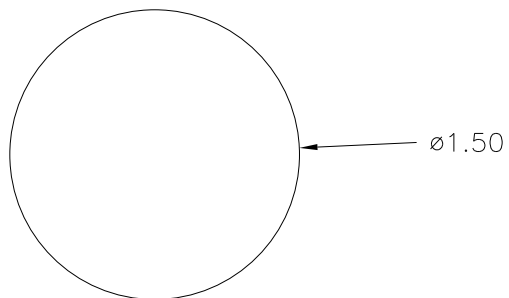


DESIGNERS & MANUFACTURERS OF KNOBS, HANDLES, CASES & CUSTOM PLASTIC COMPONENTS

P/N 3006-J

BASE PART 3006-09

(B) (A) (D)



MATERIAL: #4311 PLENCO PHENOLIC (B41)
COLOR: BLACK

TOLERANCES:
UNLESS OTHERWISE SPECIFIED

DO NOT SCALE
DRAWING

DECIMALS: X.XXX ± .005
 X.XX ± .015

MM: X.XX ± 0.15MM
 X.X ± 0.4MM

FRACTIONS ± 1/64

ANG. ± 1°

D	ADDED BASE PART	JAM	4/19/13
C	CORRECTED DIMENSION. WAS 0.58 0.455 WAS 0.44	JAM	9/30/04
-	CAD/REDRAWN	HD	6/27/97
B	REDRAWN W/NO CHANGES	M.S.	7/22/65
A	PIN WAS "G"	DWT	9/3/47

CHANGES