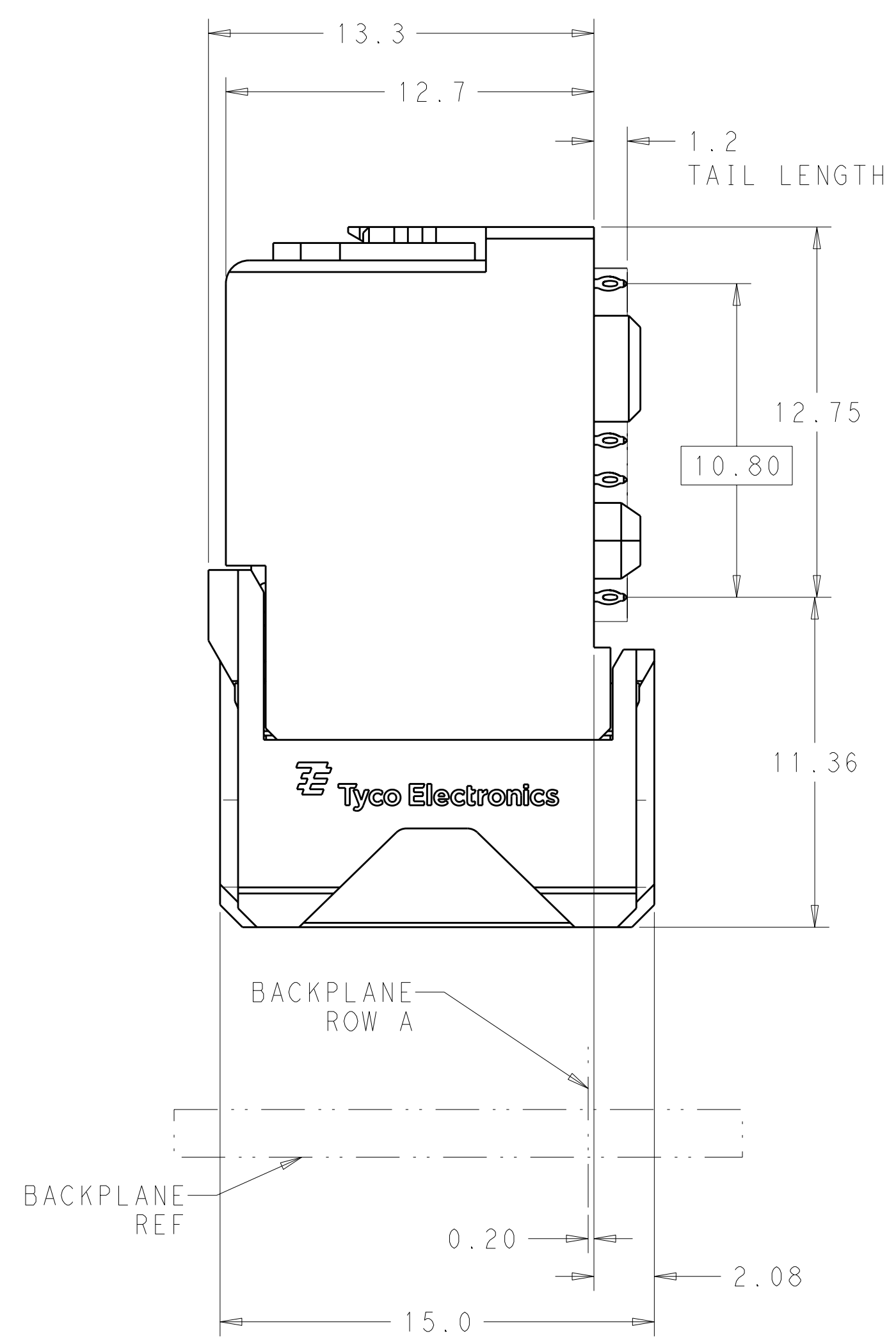
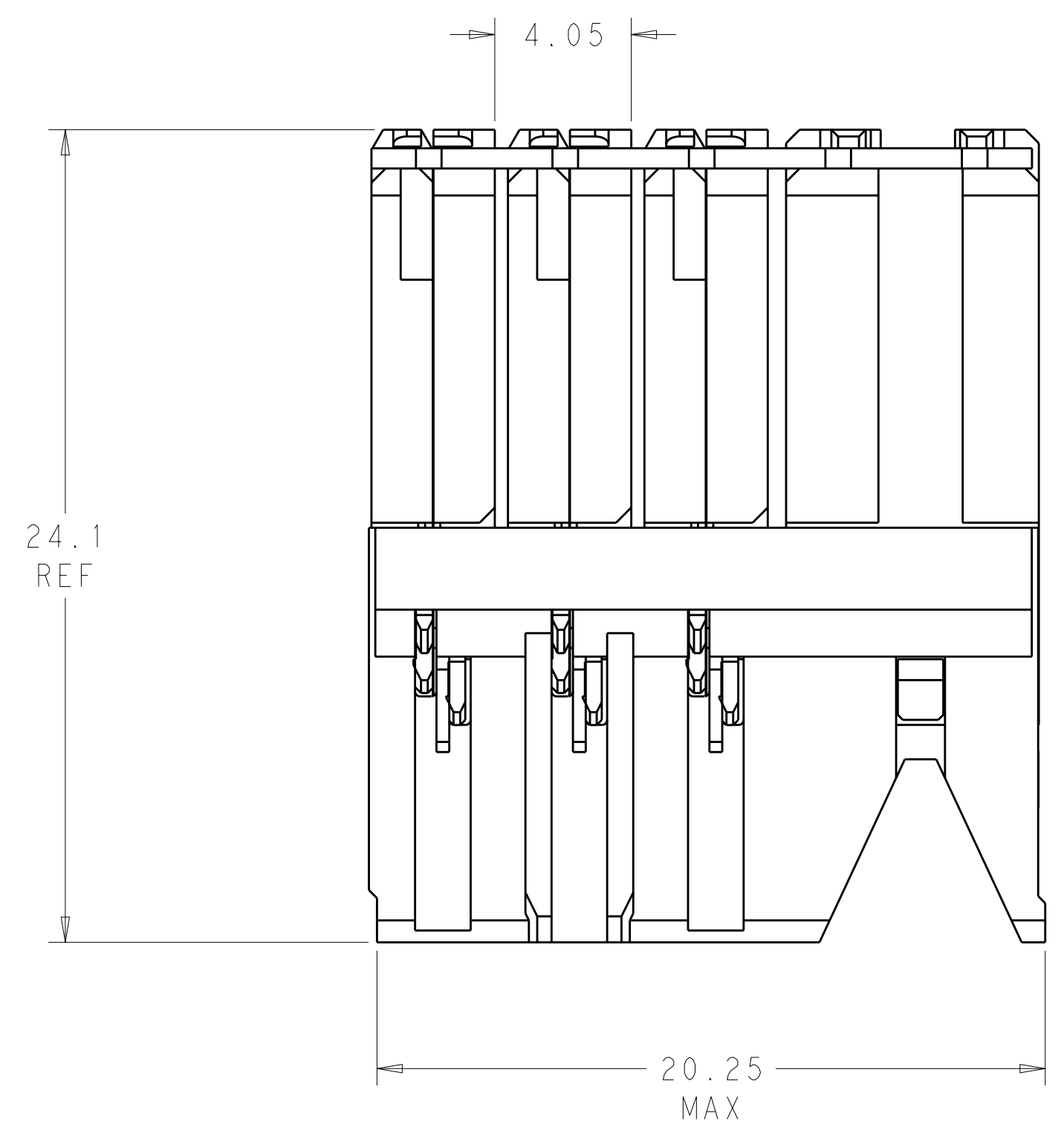
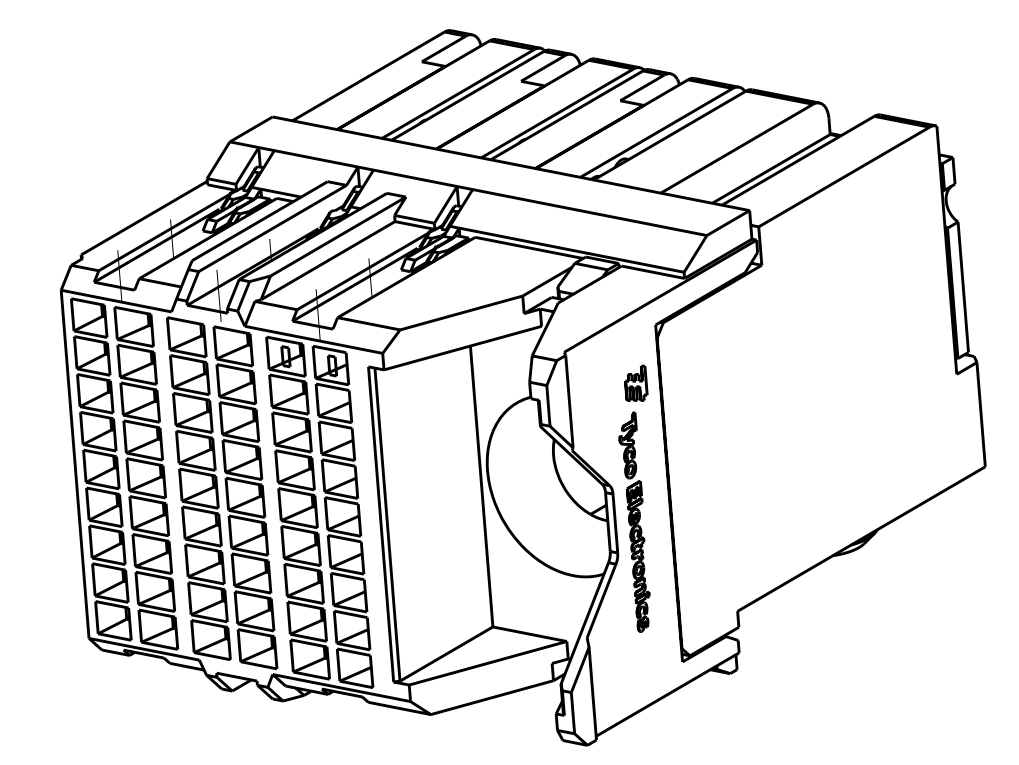


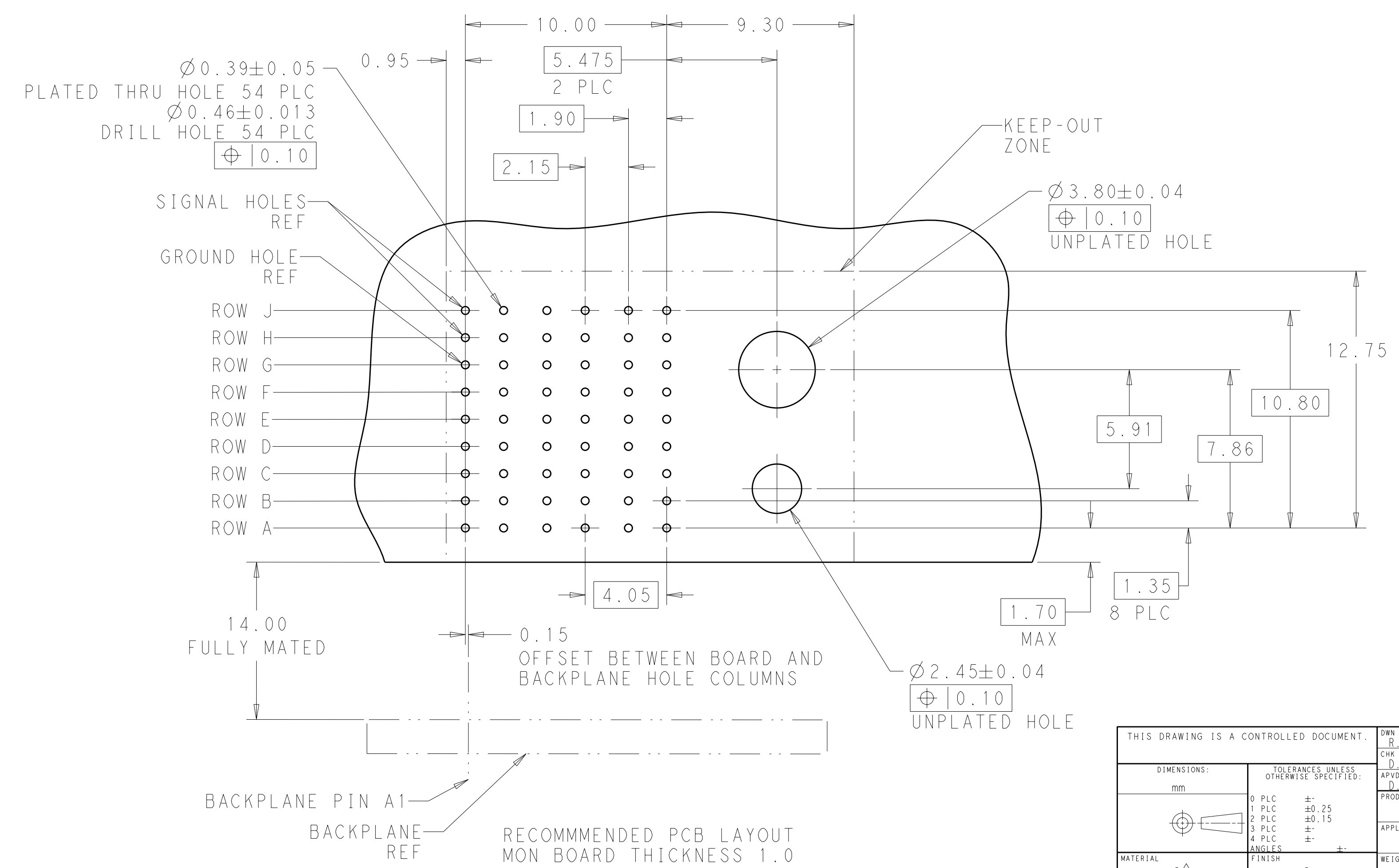
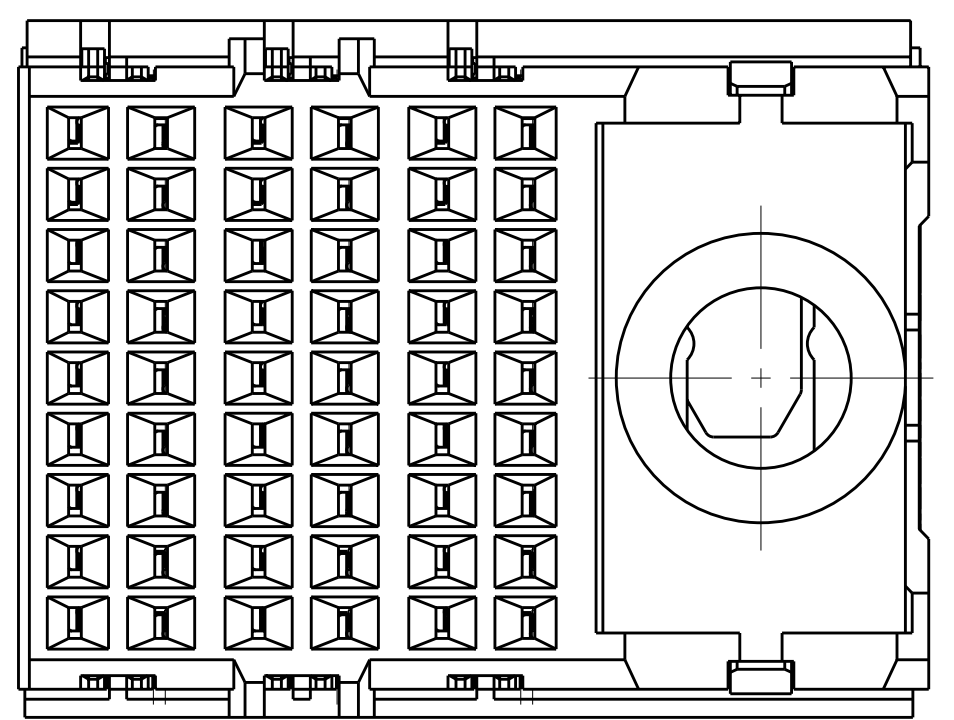
LOC	DIST	REV	DATE	BY	APPV
AD	00	B	11APR2012	KH	DD



- △ MATERIAL:
HOUSING: LCP, GLASS FILLED, UL94V-0
TERMINALS: HIGH PERFORMANCE COPPER ALLOY
- △ FINISH:
30u" SELECTIVE GOLD IN CONTACT AREA, SELECTIVE TIN ON PCB TAILS, NICKEL OVERALL
- 3. EACH SIGNAL WAFER CONTAINS 2 COLUMNS OF TERMINALS
- △ FINISH:
30u" SELECTIVE GOLD IN CONTACT AREA, SELECTIVE TIN-LEAD ON PCB TAILS, NICKEL OVERALL



SCALE 4:1



△ 4	2132423-5
△ 2	2132423-1
FINISH	PART NUMBER

THIS DRAWING IS A CONTROLLED DOCUMENT.		DWN R. GRZYBOWSKI Z0DEC2011	
DIMENSIONS: mm		CHK D. DIXON Z0DEC2011	
TOLERANCES UNLESS OTHERWISE SPECIFIED:		APVD D. DIXON Z0DEC2011	
9 PLC	±	NAME MAPCT, 3 PR., 6 COL., DAUGHTERCARD, RIGHT GUIDED SIGNAL MODULE, 0.39 EYELET, ORTHOGONAL	
3 PLC	±0.25	PRODUCT SPEC	
5 PLC	±0.15	APPLICATION SPEC	
4 PLC	±	SIZE CAGE CODE DRAWING NO RESTRICTED TO	
ANGLES	±	A100779C=2132423	
MATERIAL	FINISH	WEIGHT	
△ 1	-	CUSTOMER DRAWING	
SCALE 6:1		SHEET 1 OF 1 REV B	