

16.1	14.3	10.65	9.5	52746-2070	52746-2019	20
15.6	13.8	10.15	9.0	-1970	-1919	19
15.1	13.3	9.65	8.5	-1870	-1819	18
14.6	12.8	9.15	8.0	-1770	-1719	17
14.1	12.3	8.65	7.5	-1670	-1619	16
13.6	11.8	8.15	7.0	-1570	-1519	15
13.1	11.3	7.65	6.5	-1470	-1419	14
12.6	10.8	7.15	6.0	-1370	-1319	13
12.1	10.3	6.65	5.5	-1270	-1219	12
11.6	9.8	6.15	5.0	-1170	-1119	11
11.1	9.3	5.65	4.5	-1070	-1019	10
10.6	8.8	5.15	4.0	-0970	-0919	9
10.1	8.3	4.65	3.5	-0870	-0819	8
9.6	7.8	4.15	3.0	-0770	-0719	7
9.1	7.3	3.65	2.5	-0670	-0619	6
8.1	6.3	2.65	1.5	52746-0470	52746-0419	4
D	C	B	(A)	EMBOSSSED TAPE	MATERIAL NO.	極数
				ORDER No. オーダー番号		CIRCUITS

52746-**19 MODEL NO.

THIS DRAWING CONTAINS INFORMATION THAT IS PROPRIETARY TO MOLEX ELECTRONIC TECHNOLOGIES, LLC AND SHOULD NOT BE USED WITHOUT WRITTEN PERMISSION

DIMENSION UNITS	SCALE	CURRENT REV DESC.
mm	NTS	
GENERAL TOLERANCES (UNLESS SPECIFIED)		
ANGULAR TOL	± 3.0°	
4 PLACES	± 0.2	
3 PLACES	± 0.25	
2 PLACES	± 0.3	
1 PLACE	±	
0 PLACES	±	
DRAFT WHERE APPLICABLE MUST REMAIN WITHIN DIMENSIONS		
THIRD ANGLE PROJECTION	DRAWING	SERIES
⊕	A3-SIZE	52746

EC NO: 719890
 DRWN: NARENC 2022/08/24
 CHK'D: SMARUYAMA 2022/09/05
 APPR: YNAITO 2022/09/05

INITIAL REVISION:
 DRWN: MNABEI 2008/06/27
 APPR: NUKITA 2008/06/30

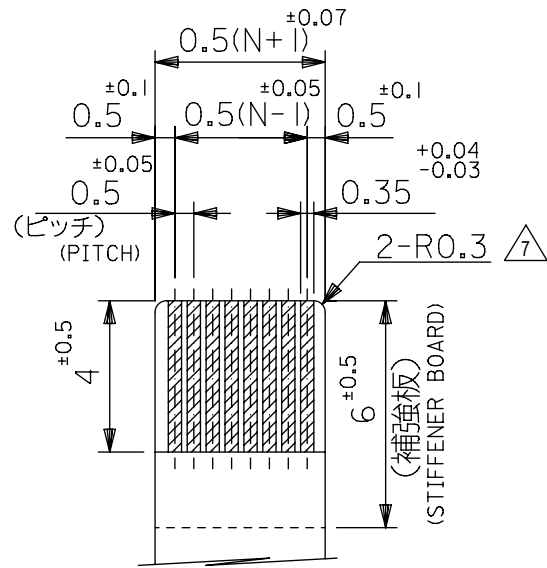
molex

0.5 FPC CONN. ZIF SMT
 R/A -LEAD FREE-

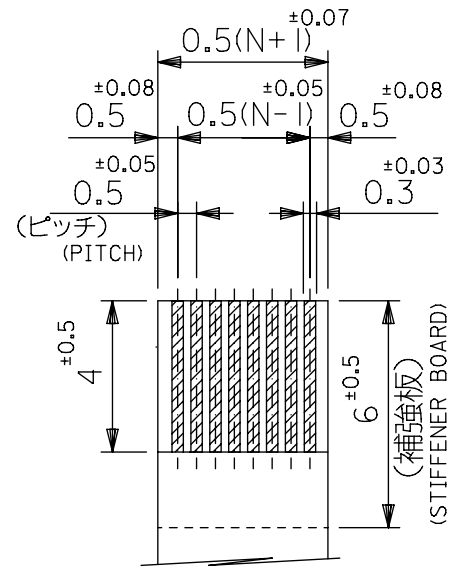
PRODUCT CUSTOMER DRAWING

DOCUMENT NUMBER	DOC TYPE	DOC PART	REVISION
SD-52746-028	PSD	001	F
MATERIAL NUMBER	CUSTOMER	SHEET NUMBER	
	GENERAL MARKET	1 OF 2	

GENERAL TOLERANCES (UNLESS SPECIFIED)	
10 ^{UNDER}	±0.2
10 ^{OVER} 30 ^{UNDER}	±0.25
30 ^{OVER}	±0.3
ANGULAR	±3°



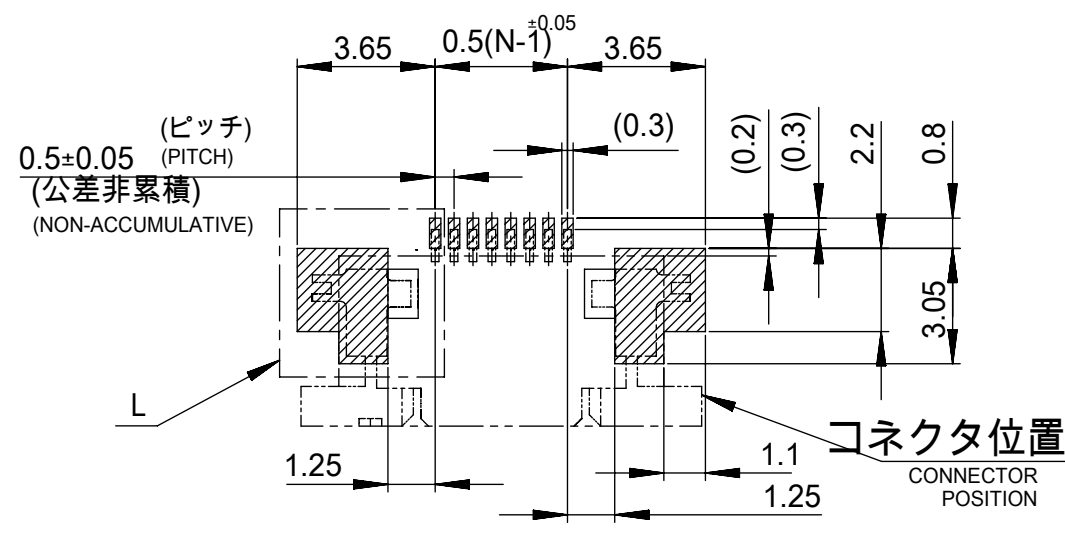
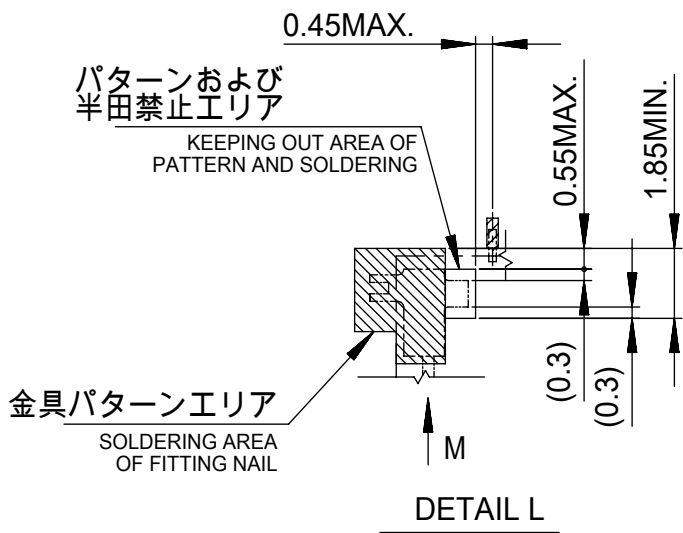
適合FPC推奨寸法
APPLICABLE FPC
RECOMMENDED DIMENSION.
(仕上がり厚さ: 0.3 ± 0.05)
(THICKNESS: 0.3 ± 0.05)



適合FFC推奨寸法
APPLICABLE FFC
RECOMMENDED DIMENSION.
(仕上がり厚さ: 0.3 ± 0.05)
(THICKNESS: 0.3 ± 0.05)

注記 NOTES

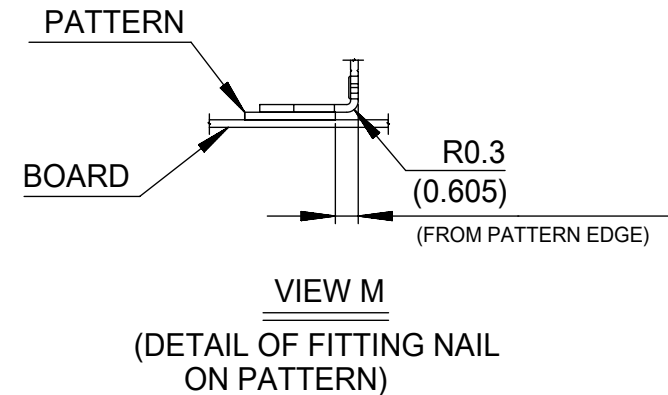
1. 使用材料 MATERIAL
ハウジング : 46ナイロン、UL94V-0
HOUSING 46NYLON
アクチュエータ : PPS、UL94V-0
ACTUATOR
ターミナル : リン青銅(+0.2) ニッケル下地・錫ビスマスメッキ
TERMINAL PHOS-BRO,TIN-BITHMUS OVER NICKEL PLATED
金具 : リン青銅(+0.2) ニッケル下地、錫メッキ
FITTING NAIL PHOS-BRO,TIN OVER NICKEL PLATED
2. エンボステープ梱包時は、アクチュエータがロックした状態とする。
IN THE PACKAGE,ACTUATOR OF PART NO.52746-***19 SHOULD BE LOCKED.
- △3. ソルダータール半田付け面のズレ量、及び金具半田付け面のズレ量は、基準面 H に対し上方向 0.1MAX. 下方向 0.15MAX. とする。
MISALIGNMENT OF SOLDER TAILS AND FITTING NAILS FROM H
UPPER DIRECTION: 0.1 MAX. , LOWER DIRECTION: 0.15MAX.
- △4. 偶数極に適用。
APPLY FOR EVEN CIRCUIT.
- △5. パターンはくり止め用金具
FITTING NAIL FOR PREVENTION OF PEELING OF P.C.B. PATTERN.
6. 本製品は 52746-***17 の鉛フリー品です。
THIS PRODUCT IS LEAD FREE OF 52746-***17
- △7. R0.3は、FPCの導体部にかからないこと。
R0.3 MUST NOT BE OVERLAPPED TO PATTERN OF FPC.



参考基板レイアウト
(マウント面)

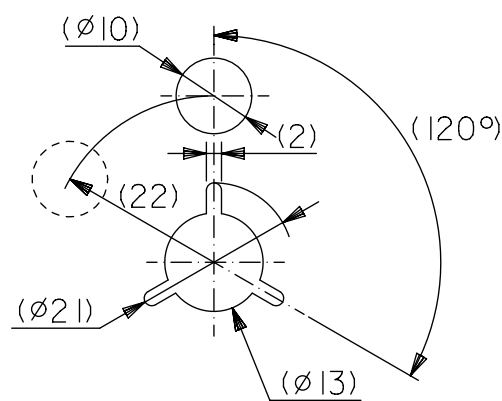
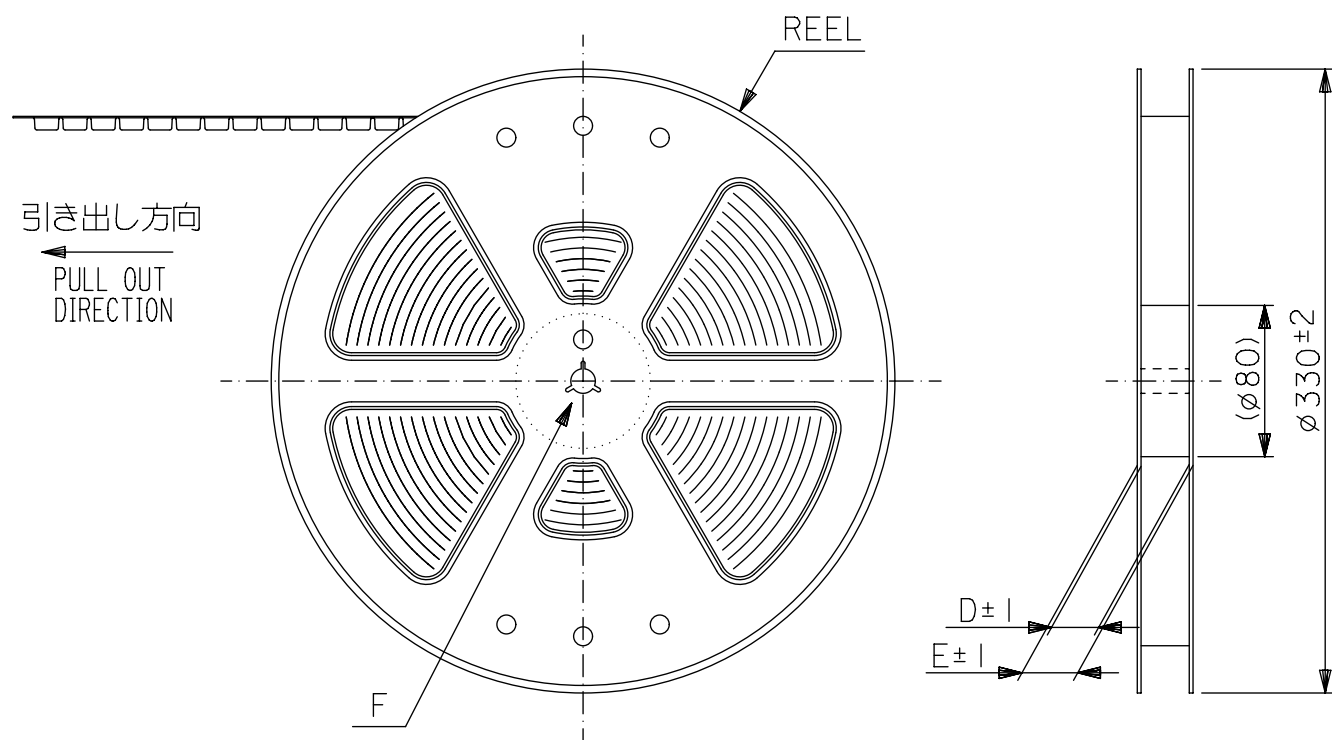
RECOMMENDED P.C.BOARD
PATTERN DIMENSION (REF.)
(MOUNTING SIDE)

FPCについて:
打抜き方向は導体側から補強板を推奨致します。
補強フィルム材質はポリイミドを推奨致します。
接着剤は熱硬化接着剤を推奨致します。
ABOUT FPC:
RECOMMENDED PUNCHER DIRECTION : FROM CONDUCTOR SIDE TO STIFFENER BOARD SIDE.
RECOMMENDED MATERIAL :
STIFFENER FILM : POLYIMIDE
BONDING AGENT : THERMOSETTING BONDING AGENT



GENERAL TOLERANCES (UNLESS SPECIFIED)	
10 ^{UNDER}	±0.2
10 ^{OVER} 30 ^{UNDER}	±0.25
30 ^{OVER}	±0.3
ANGULAR	±3°

THIS DRAWING CONTAINS INFORMATION THAT IS PROPRIETARY TO MOLEX ELECTRONIC TECHNOLOGIES, LLC AND SHOULD NOT BE USED WITHOUT WRITTEN PERMISSION		52746-***19		MODEL NO.	
DIMENSION UNITS	SCALE	CURRENT REV DESC:			
mm	NTS	molex			
GENERAL TOLERANCES (UNLESS SPECIFIED)		0.5 FPC CONN. ZIF SMT R/A -LEAD FREE-			
ANGULAR TOL ± 3.0°		PRODUCT CUSTOMER DRAWING			
4 PLACES ± 0.2	EC NO: 719890	DOCUMENT NUMBER			
3 PLACES ± 0.25	DRWN: NARENC 2022/08/24	DOC TYPE DOC PART REVISION			
2 PLACES ± 0.3	CHK'D: SMARUYAMA 2022/09/05	SD-52746-028			
1 PLACE ±	APPR: YNAITO 2022/09/05	PSD 001 F			
0 PLACES ±	INITIAL REVISION:	MATERIAL NUMBER			
DRAFT WHERE APPLICABLE MUST REMAIN WITHIN DIMENSIONS		DRWN: MNABEI 2008/06/27	SERIES		CUSTOMER
THIRD ANGLE PROJECTION		APPR: NUKITA 2008/06/30	52746		GENERAL MARKET
DRAWING		A3-SIZE		SHEET NUMBER	
SERIES		52746		2 OF 2	



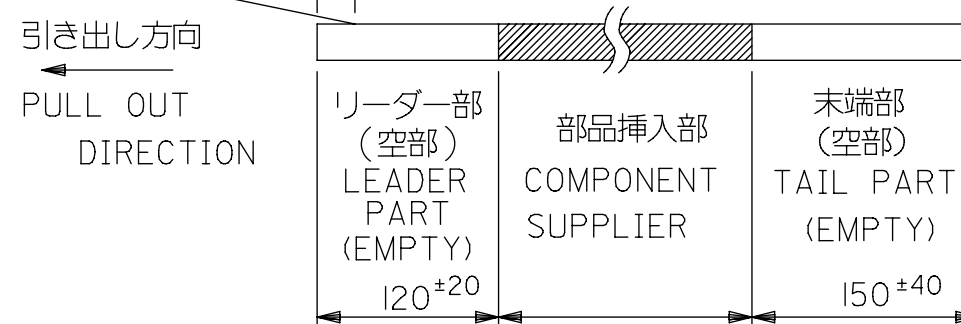
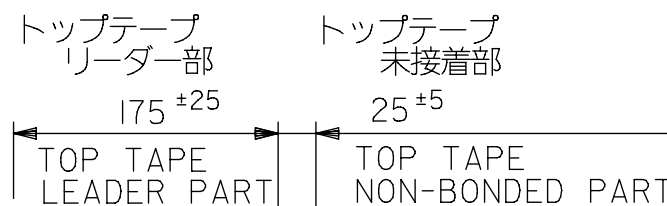
DETAIL F

注記 NOTES

1. 製品番号 52746-**19 の梱包状態はアクチュエータがロックした状態とする。
 詳細寸法については図面 SD-52746-028 を参照下さい。
 IN THE PACKAGE,ACTUATOR OF PART NO.52746-**19 SHOULD BE LOCKED
 RE DETAILED DIMENSIONS,SEE SD-52746-028.

2. 梱包数量：1000個/リール
 NUMBER OF CONNECTORS:1000PCS/REEL

3. リードテープ長さ LEAD TAPE LENGTH



4. 材料 キャリアテープ：ポリプロピレン (PP)
 トップテープ：PET, PE, PEF
 リール：ポリスチレン (PS) <リサイクル材を含む>

MATERIAL CARRIER TAPE:POLYPROPYLENE
 TOP TAPE:PET,PE,PEF
 REEL:POLYSTYREN(PS)
 <RECYCLE MATERIAL CONTAINED>

5. 本製品は 52746-**90 の鉛フリー品です

THIS PRODUCT IS LEAD FREE OF 52746-**90

6.本製品は乾燥剤入り、ハイバリア梱包仕様である。
 THIS PRODUCT IS HIGH BARRIER PACKAGE WITH DESICCANT.

52746-**70

MODEL NO.

THIS DRAWING CONTAINS INFORMATION THAT IS PROPRIETARY TO MOLEX ELECTRONIC TECHNOLOGIES, LLC AND SHOULD NOT BE USED WITHOUT WRITTEN PERMISSION

DIMENSION UNITS	SCALE	CURRENT REV DESC:
mm	NTS	

GENERAL TOLERANCES (UNLESS SPECIFIED)		ANGULAR TOL ± °		EC NO: 719890	
4 PLACES	±	4 PLACES	±	DRWN: NARENC	2022/08/24
3 PLACES	±	3 PLACES	±	CHK'D: SMARUYAMA	2022/09/05
2 PLACES	±	2 PLACES	±	APPR: YNAITO	2022/09/05
1 PLACE	±	1 PLACE	±	INITIAL REVISION:	
0 PLACES	±	0 PLACES	±	DRWN: MNABEI	2008/06/27
				APPR: NUKITA	2008/06/30

molex

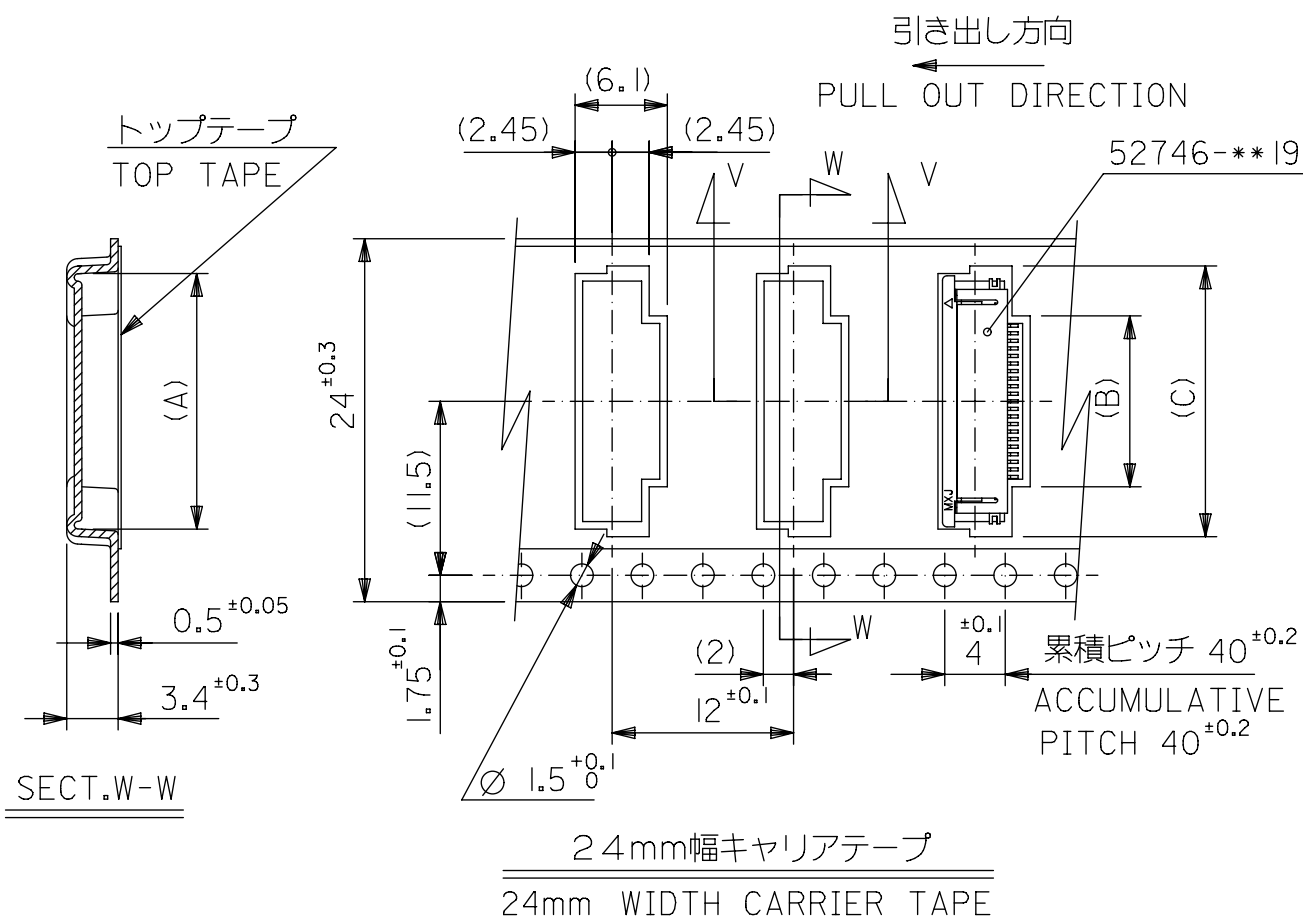
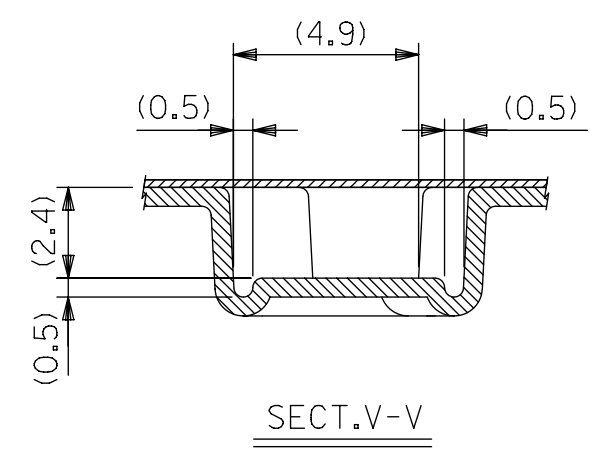
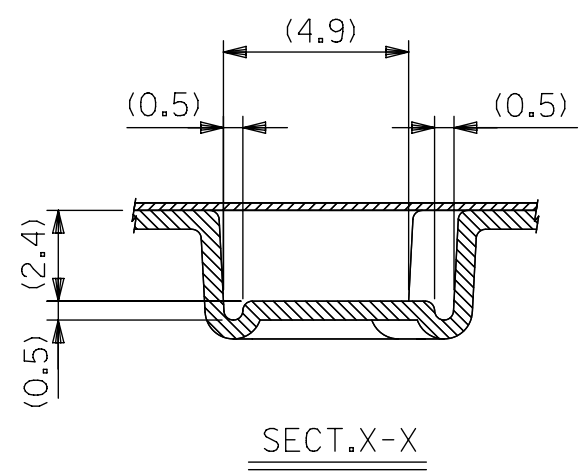
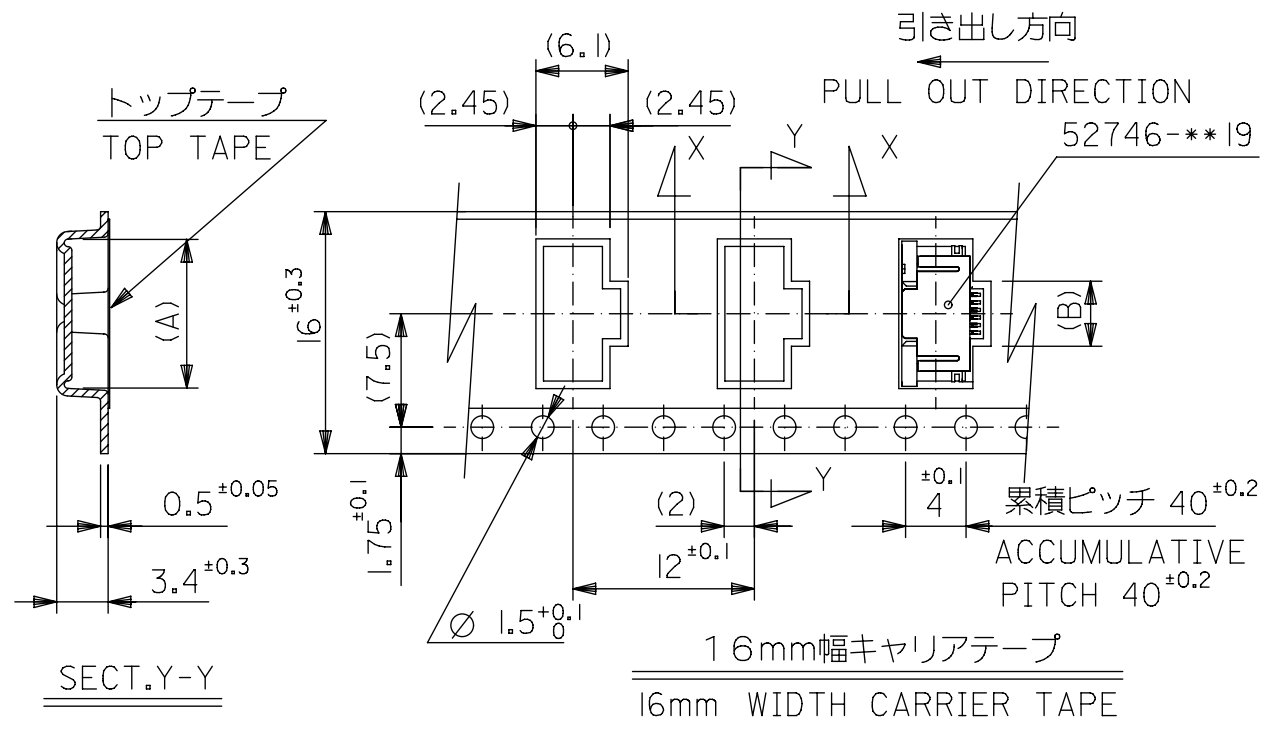
0.5 FPC CONN ZIF SMT RA
-LEAD FREE-

PRODUCT CUSTOMER DRAWING

DOCUMENT NUMBER	DOC TYPE	DOC PART	REVISION
SD-52746-029	PSD	003	E

GENERAL TOLERANCES (UNLESS SPECIFIED)	
10 ^{UNDER}	±0.2
10 ^{OVER} 30 ^{UNDER}	±0.25
30 ^{OVER}	±0.3
ANGULAR	±3°

DRAFT WHERE APPLICABLE MUST REMAIN WITHIN DIMENSIONS	THIRD ANGLE PROJECTION	DRAWING	SERIES	MATERIAL NUMBER	CUSTOMER	SHEET NUMBER
		A3-SIZE	52746	SEE TABLE	GENERAL MARKET	1 OF 2



24	29.4	25.4	17.4	10.8	16.4	52746-2070	20
			16.9	10.3	15.9	-1970	19
			16.4	9.8	15.4	-1870	18
			15.9	9.3	14.9	-1770	17
			15.4	8.8	14.4	-1670	16
			14.9	8.3	13.9	-1570	15
			14.4	7.8	13.4	-1470	14
			13.9	7.3	12.9	-1370	13
			13.4	6.8	12.4	-1270	12
			12.9	6.3	11.9	-1170	11
			12.4	5.8	11.4	-1070	10
			11.9	5.3	10.9	-0970	9
11.4	4.8	10.4	-0870	8			
10.9	4.3	9.9	-0770	7			
10.4	3.8	9.4	-0670	6			
16	21.4	17.4	2.8	8.4	52746-0470	4	
キャリアテープ幅 CARRIER TAPE WIDTH	E	D	(C)	(B)	(A)	MATERIAL NO.	極数 CIRCUITS

52746-**-70 MODEL NO.

GENERAL TOLERANCES (UNLESS SPECIFIED) 10 ^{UNDER} ±0.2 10 ^{OVER} 30 ^{UNDER} ±0.25 30 ^{OVER} ±0.3 ANGULAR ±3°		THIS DRAWING CONTAINS INFORMATION THAT IS PROPRIETARY TO MOLEX ELECTRONIC TECHNOLOGIES, LLC AND SHOULD NOT BE USED WITHOUT WRITTEN PERMISSION. DIMENSION UNITS: mm SCALE: NTS CURRENT REV DESC: EC NO: 719890 DRWN: MNABEI APPR: NUKITA 2022/08/24 2022/09/05 2008/06/27 2008/06/30		molex 0.5 FPC CONN ZIF SMT RA -LEAD FREE- PRODUCT CUSTOMER DRAWING DOCUMENT NUMBER: SD-52746-029 DOC TYPE: PSD DOC PART: 003 REVISION: E MATERIAL NUMBER: SEE TABLE CUSTOMER: GENERAL MARKET SHEET NUMBER: 2 OF 2	
--	--	--	--	---	--