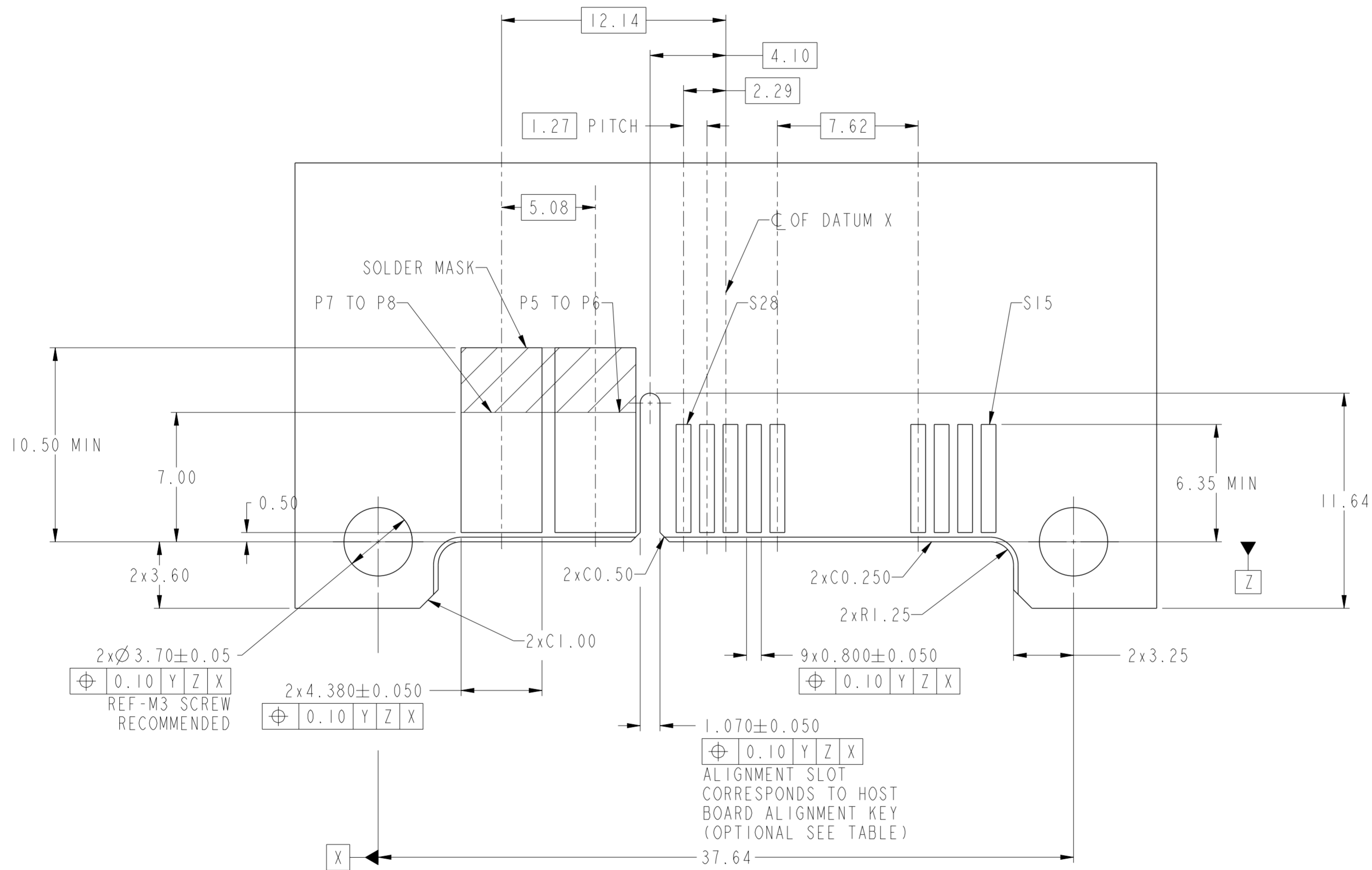


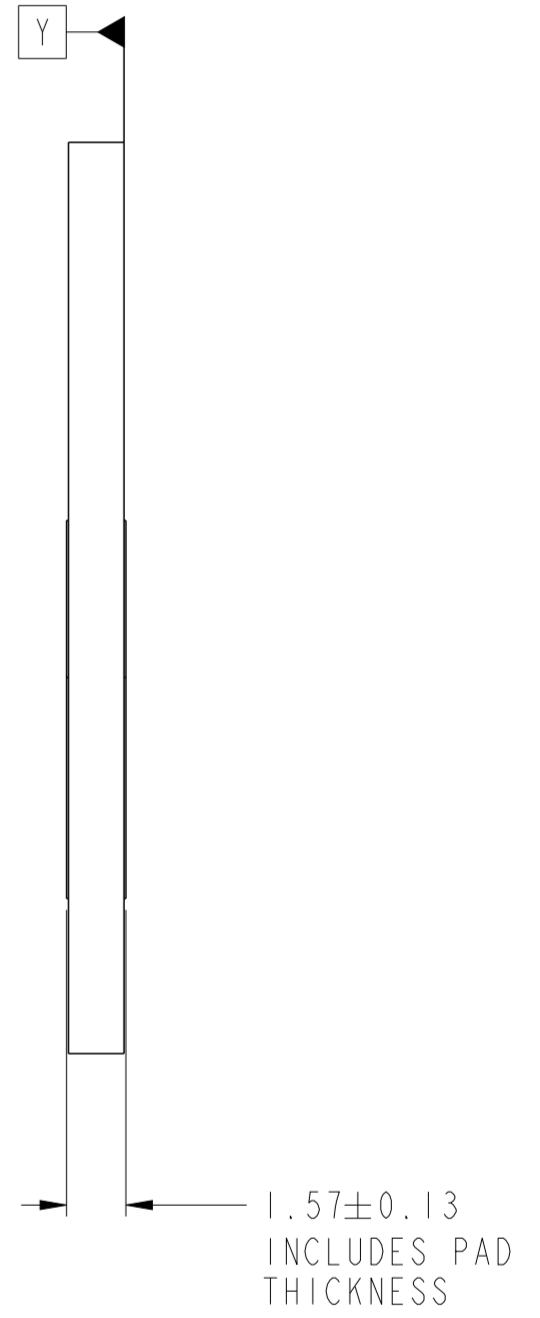
spec ref	-	dr	Hai-Ling Liu	2016/04/22	projection	MM	size	A2	scale	4:1	
tolerance std	ASME Y14.5	eng	Hai-Ling Liu	2016/06/08			ecn no	-	product family CARD EDGE	rel level	Released
TOLERANCES UNLESS OTHERWISE SPECIFIED		chr	Terris Liu	2016/06/08			cat. no.	-		Product - Customer Drw	sheet 1 of 4
surface	ASME Y14.5	appr	Pai-Ming Zheng	2016/06/08			title	HPCE STMT RECPT 4LP28S OMITTED 10S LOW HF		dwg no	10139432
		linear	0.X	±0.5							
			0.XX	±0.25							
			0.XXX	±0.10							
		angular	0°	±°							

Amphenol FCI

© 2016 APCI



RECOMMENDED HOST BOARD LAYOUT  
DIMENSION TOLERANCE IS 0.05MM



spec ref	-	dr	Hai-Ling Liu	2016/04/22	projection	MM	size	A2	scale	2:1	
tolerance std	ASME Y14.5	eng	Hai-Ling Liu	2016/06/08			ecn no	-	rel level	Released	
TOLERANCES UNLESS OTHERWISE SPECIFIED		chr	Terris Liu	2016/06/08							
		appr	Pai-Ming Zheng	2016/06/08							
surface	ASME Y14.5	linear	0.X	±0.5	0.XX	±0.25	0.XXX	±0.10	angular	0°	±°
				<b>HPCE STMT RECPT</b> 4LP28S OMITTED 10S LOW HF		cat. no.	Product - Customer Drw	sheet 2 of 4	rev <b>A</b>		

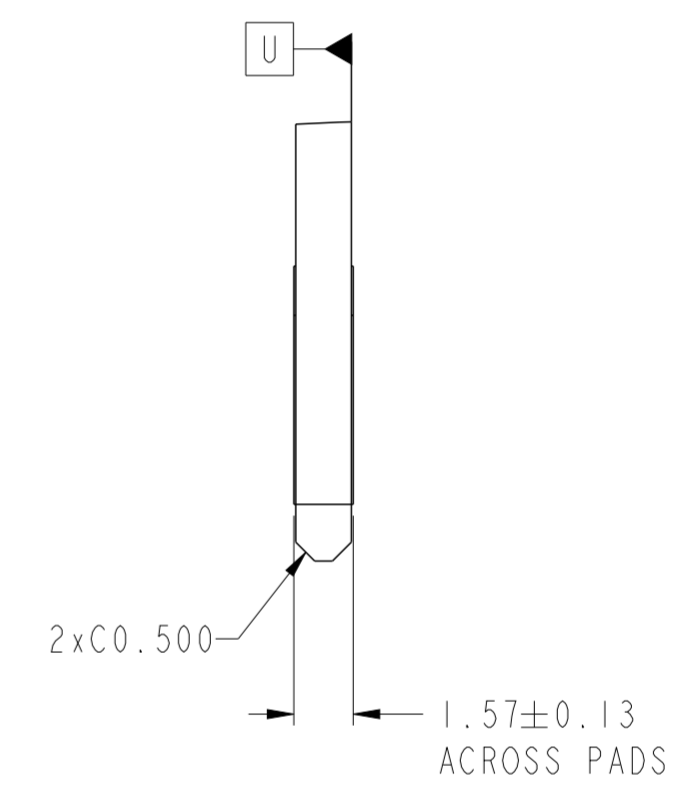
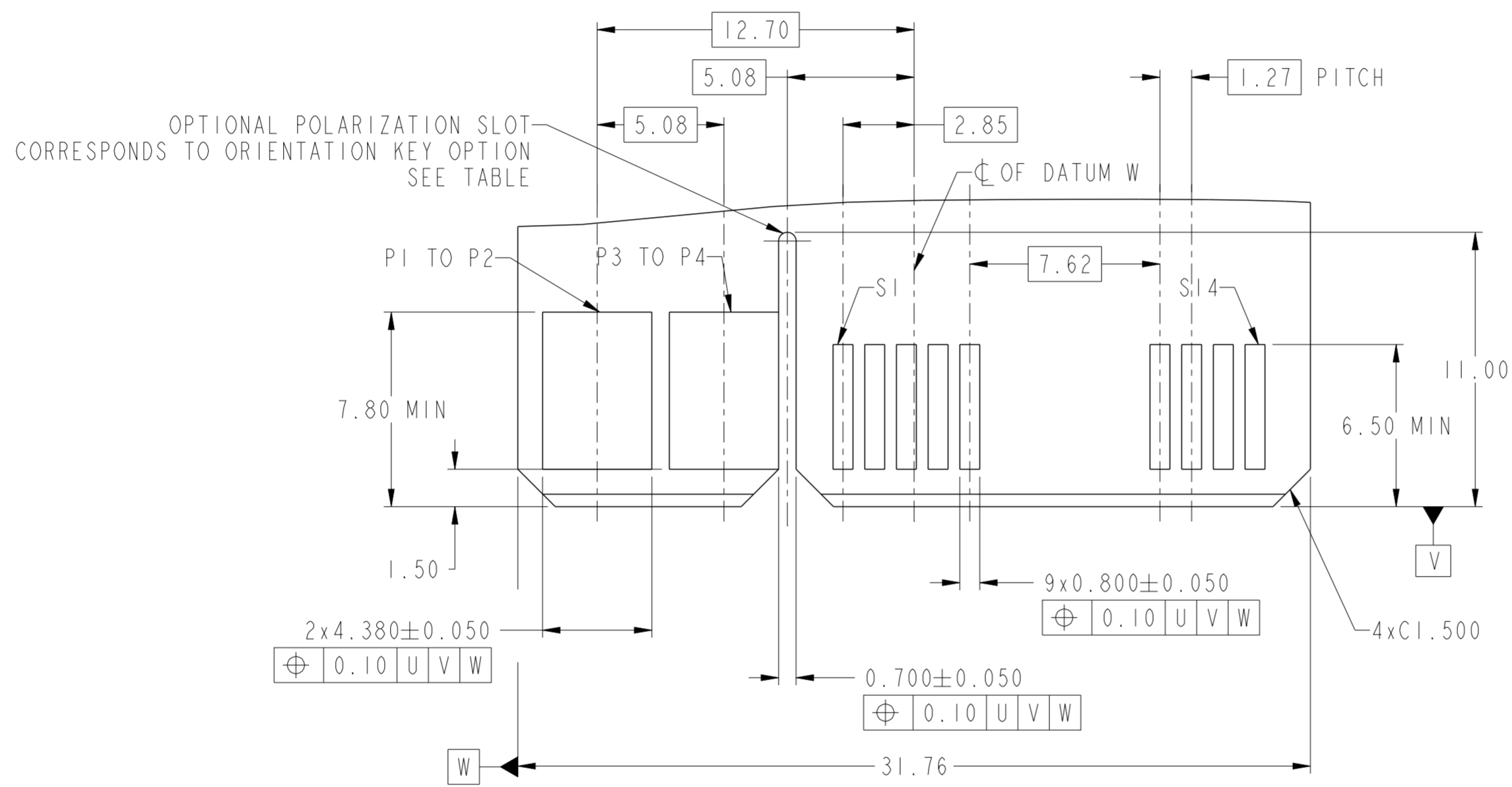
PDS: Rev :A

STATUS:Released

Printed: Jun 08, 2016

Amphenol  
FCI

© 2016 APCI



RECOMMENDED MATING BOARD  
DIMENSION TOLERANCE IS 0.05MM

Amphenol  
FCi

© 2016 AFci

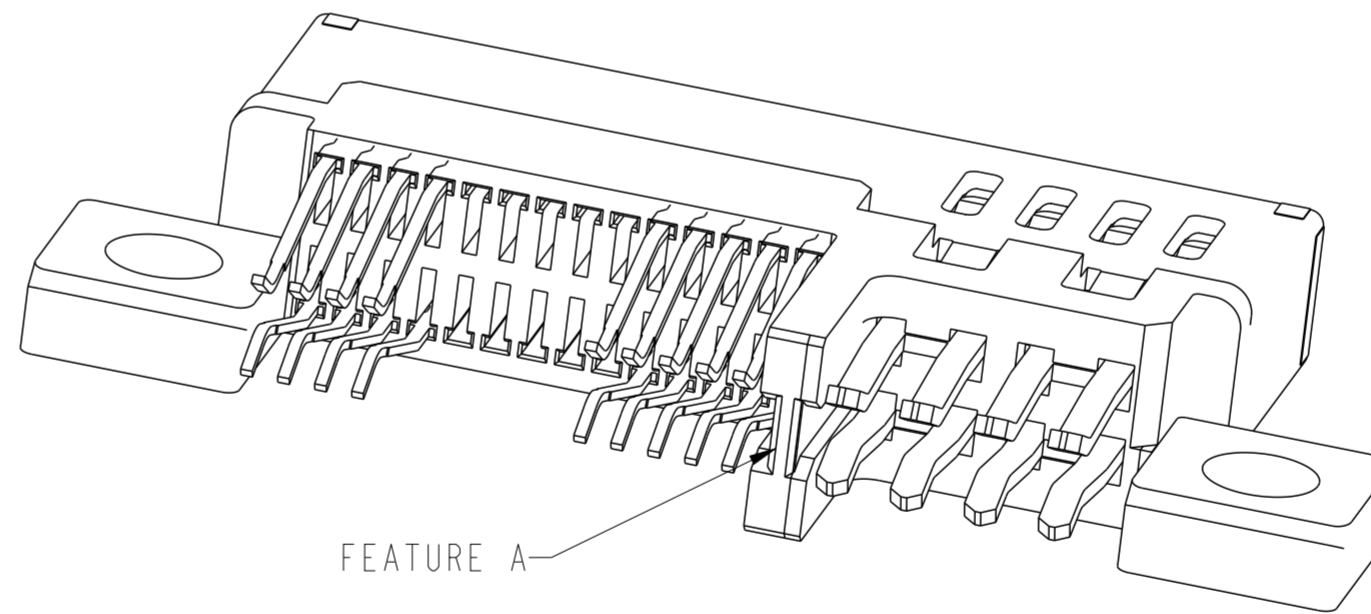
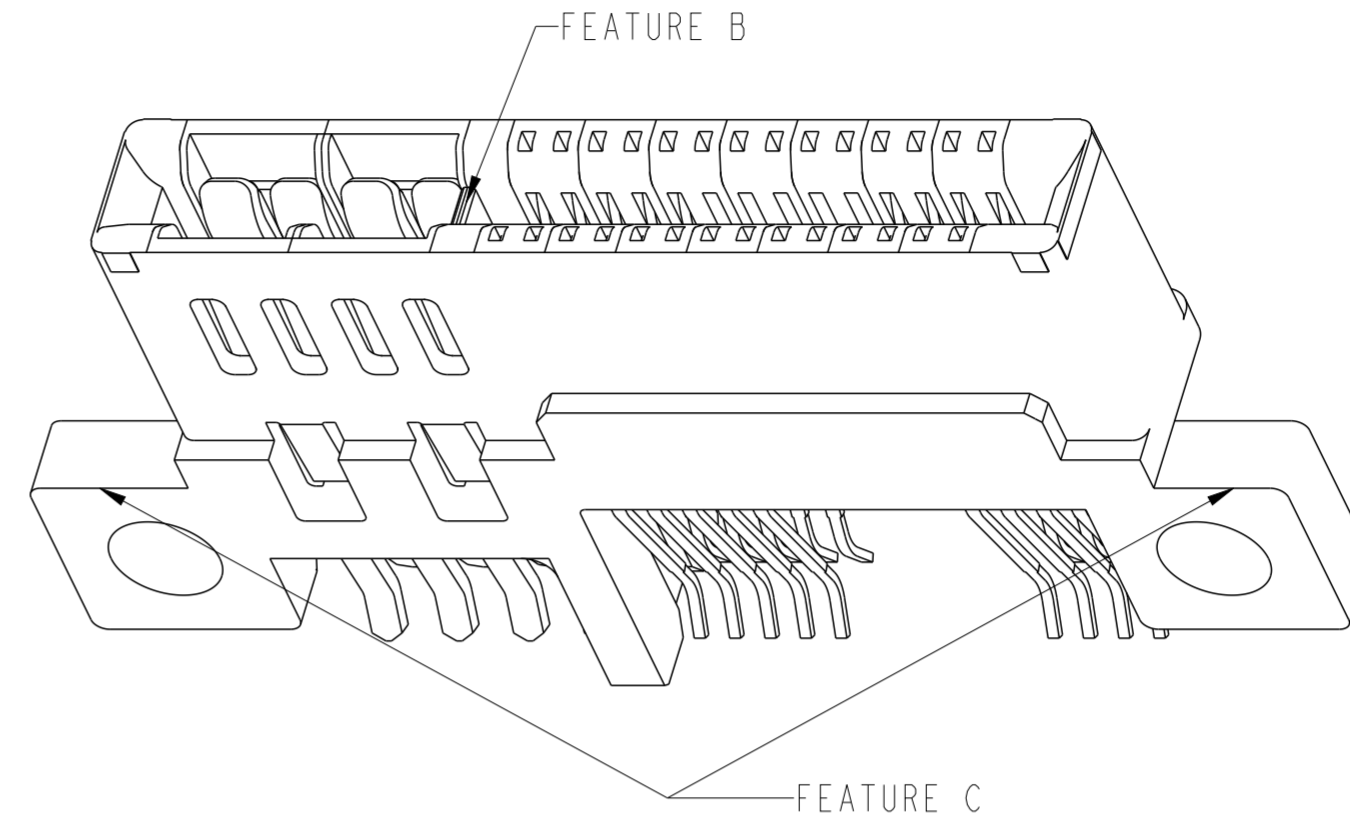
spec ref	-	dr	Hai-Ling Liu	2016/04/22	projection	MM	size	A2	scale	1:1	
tolerance std	ASME Y14.5	eng	Hai-Ling Liu	2016/06/08			ecn no	-	rel level	Released	
TOLERANCES UNLESS OTHERWISE SPECIFIED		chr	Terris Liu	2016/06/08							
		appr	Pai-Ming Zheng	2016/06/08							
surface	ASME Y14.5	linear	0.X	±0.5			title	HPCE STMT RECPT		dwg no 10139432	rev A
		angular	0°	±°	4LP28S OMITTED 10S LOW HF		cat. no.	-	Product - Customer Drw		

PDS: Rev :A

STATUS:Released

Printed: Jun 08, 2016

PART NUMBER	FEATURE A HOST BOARD ALIGNMENT KEY (SEE NOTE 7)	FEATURE B FRONT ORIENTATION KEY	FEATURE C MOUNTING EARS
10139432-001HFLF	NO	NO	YES
10139432-002HFLF	YES		
10139432-003HFLF	NO	YES	
10139432-004HFLF	YES		



NOTES:

1. CONNECTOR MATERIALS:

HOUSING: HIGH TEMPERATURE THERMAL PLASTIC, BLACK  
UL 94V-0 COMPLIANT  
CONTACTS: HIGH PERFORMANCE COPPER ALLOY.

2. CONTACT FINISH REF. GS-12-604 SECTION 5.2.

3. PRODUCT SPECIFICATION: GS-12-604.

4. APPLICATION SPECIFICATION: GS-20-128.

5. PRODUCT MARKING ON HOUSING IN AREA SHOWN MEETS FCI SPECIFICATION: GS-24-007.

6. PACKAGING MEETS FCI SPECIFICATION: GS-14-937.

7. HOST BOARD ALIGNMENT KEY IS RECOMMENDED TO ENSURE PROPER ALIGNMENT OF SOLDER TAILS WITH HOST BOARD PADS.

spec ref	-	dr	Hai-Ling Liu	2016/04/22	projection	MM	size	A2	scale	4:1
tolerance std	-	eng	Hai-Ling Liu	2016/06/08			ecn no	-	rel level	Released
ASME Y14.5	TOLERANCES UNLESS OTHERWISE SPECIFIED	chr	Terris Liu	2016/06/08						
surface	linear	appr	Pei-Ming Zheng	2016/06/08	product family	CARD EDGE	cat. no.	-	Product - Customer Drw	sheet 4 of 4
ASME Y14.5	angular									