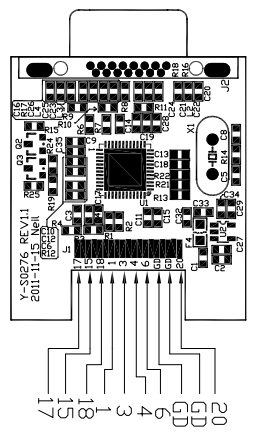
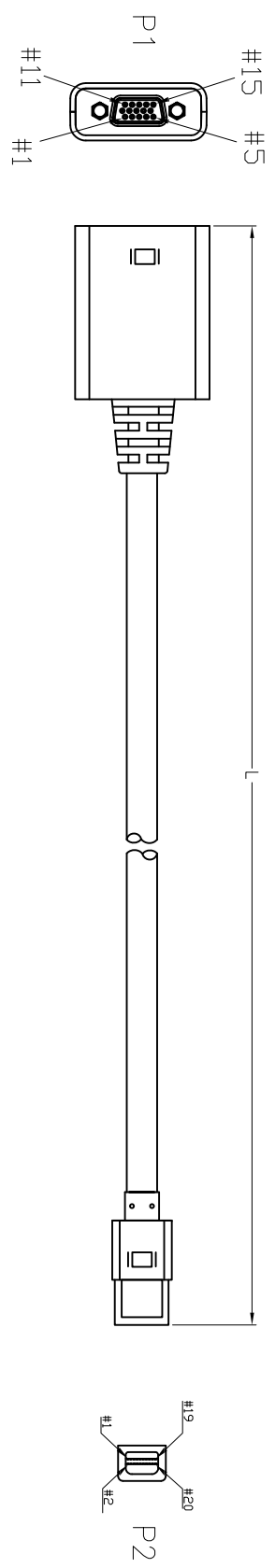


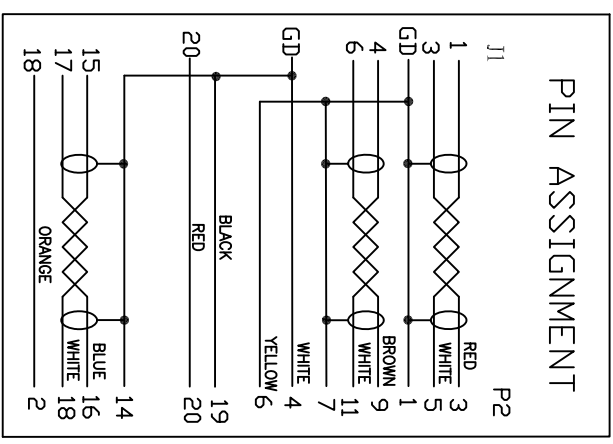
Rev	AWO #	Description	Date	Appr
-		RELEASED	10/19/15	

APPROVED: \_\_\_\_\_ TITLE: \_\_\_\_\_  
 DATE: \_\_\_\_\_

CUSTOM CABLE ASSEMBLIES ARE NON-CANCELLABLE / NON-RETURNABLE



ADAM P/N	L
CA-MINIDP-VGAF-3FT	36.024"±.394" [915±10mm]
CA-MINIDP-VGAF-6FT	72.047"±.787" [1830±20mm]
CA-MINIDP-VGAF-10FT	120.079"±1.181" [3050±30mm]



**SPECIFICATIONS:**

**Connector:**  
 P1 = High Density D-Sub Connector, Socket, 15P, VGA, W/Plastic Shell, Color: White, ABS, Surface polished, W/PCB board, W/Jackscrew  
 P2 = Mini Display Port Plug, W/Cop, 50P PVC

**Cable:**  
 UL20276, (32#\*1P+ADM)\*5C+32#\*3C+28#\*2C+A+B, O.D: .217" [5.5mm], Jacket Color: White

**Electrical Test:**  
 All Assemblies must be 100% Tested for Shorts, Open, Continuity, and Physical Appearance.

**Environmental:**  
 Lead free, RoHS compliant

**ADAM TECH**

909 Rahway Avenue, Union, NJ 07083  
 Phone: 908-687-5000 Fax: 908-687-5710

TITLE: CUSTOM ASSEMBLY, HIGH DENSITY D-SUB  
 SOCKET VGA 15P TO MINI DISPLAY PORT PLUG

APPROVALS		DATE
DRAWN	HR	10/19/15
CHECKED	TW	10/19/15
APPROVED		

SIZE	PART NO.	REV.
X	CA-MINIDP-VGAF-XFT	.
REF:	S00087	SCALE: NTS
		SHEET 1 OF 1