

Lighting Controls

Rocker Slide Dimmer

DATE:	LOCATION:
TYPE:	PROJECT:
CATALOG #:	

FEATURES

- Rocker switch with slender dimmer control slide bar
- Integrated linear full-range slide control for easy, precise operation
- Separate ON/OFF switch that preserves the selected brightness setting
- Provides single pole (one location) or 3-way (two location) lighting control when paired with a 3-way switch
- Trim adjustment for fine tuning
- Slim, compact housing fits easily into a standard wallbox



RSD0108

RSD300



SPECIFICATIONS

ELECTRICAL

RSD0108-UNV

- 10A@120VAC-60Hz
- 5A@277VAC-60Hz
- No neutral required
- Single Pole/3-way
- 0-10V Control

RSD300-120

- 120VAC-60Hz
- 600W Incandescent/Halogen
- 300W LED/CFL (2.5A)
- No neutral required
- Single Pole/3-way

- Toggable Locator Light
- Forward Phase Control
- Load Ratings:

Single gang

- 600W Incandescent
- 300W (2.5A) LED/CFL

2-gang

- 500W Incandescent
- 300W (2.5A) LED/CFL

3-gang or more

- 400W Incandescent
- 300W (2.5A) LED/CFL

MOUNTING

- Single-gang NEMA-style switch box (standard wall switch box)
- Decorator-style wall plate sold separately

COLOR

- Available in White, Ivory, and Light Almond

OPERATING ENVIRONMENT

Operating Temperature:

- RSD0108: 0°C to 40°C (32°F to 104°F)
- RSD300: -20°C to 40°C (-4°F to 104°F)

INSTALLATION

- RSD300: Use with compatible dimmable LED, CFL bulbs, incandescent or 120V halogen fixtures only.

CERTIFICATIONS

- cULus, UL 1472, Title 24, NEMA SSL 7A

WARRANTY

- 1 year warranty

ORDERING GUIDE

CATALOG #

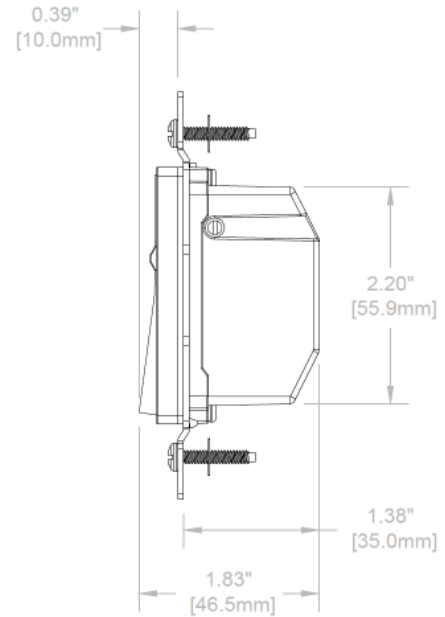
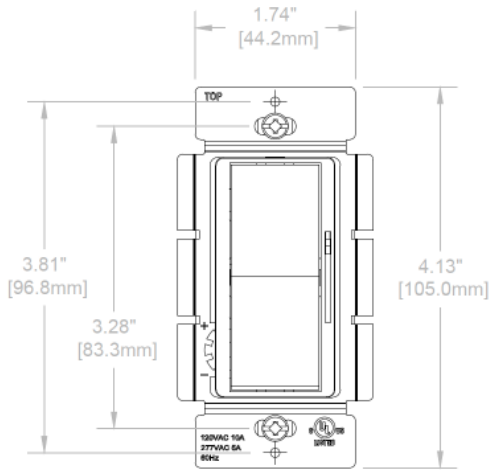
Models	Color
RSD300-120 Rocker-Slide Dimmer for Dimmable LED, CFL and Incandescent, Locator Light, 600W@120VAC Incandescent, 300W@120VAC Dimmable LED and CFL, 60Hz, Single Pole or 3-Way.	WH White IV Ivory LA Light Almond
RSD0108-UNV Rocker-Slide Dimmer for 0-10V LED Drivers and Fluorescent and HID Ballasts, 10A@120VAC, 5A@277VAC, 60Hz, Single Pole or 3-Way.	

Lighting Controls

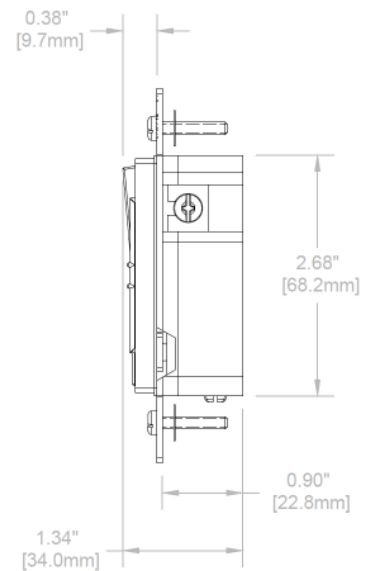
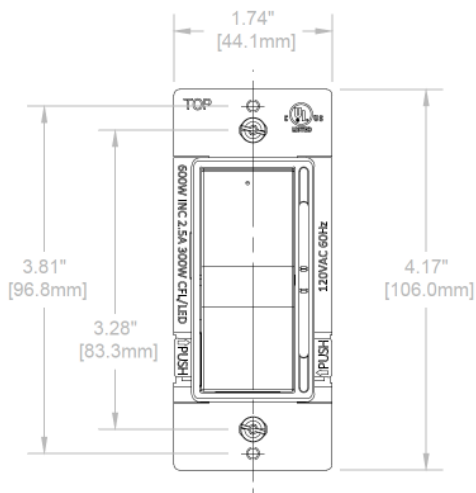
Rocker Slide Dimmer

DIMENSIONS

RSD0108



RSD300



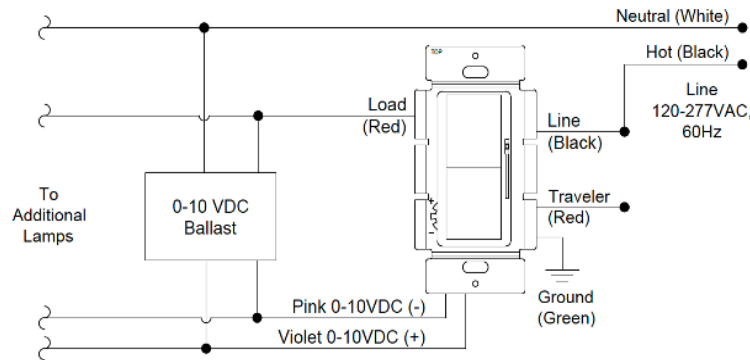
Lighting Controls

Rocker Slide Dimmer

WIRING DIAGRAMS

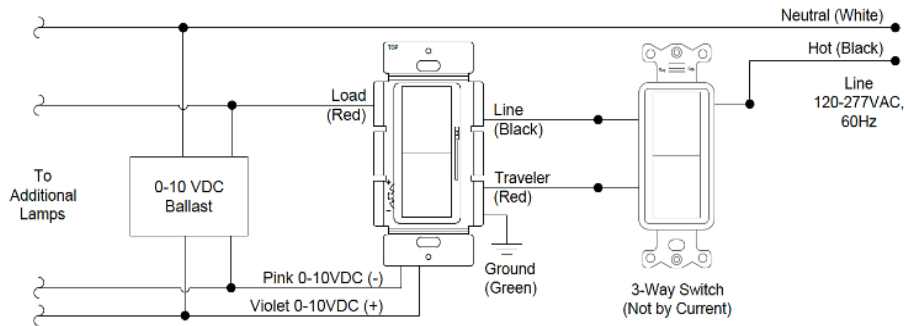
RSD0108

SINGLE-POLE



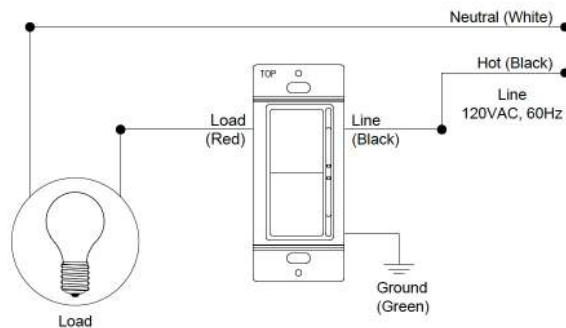
Pink wire replaces previous gray wire. Units with a gray instead of pink wire should be wired as the pink wire shown in the diagram.

3-WAY



RSD300

SINGLE-POLE



3-WAY

