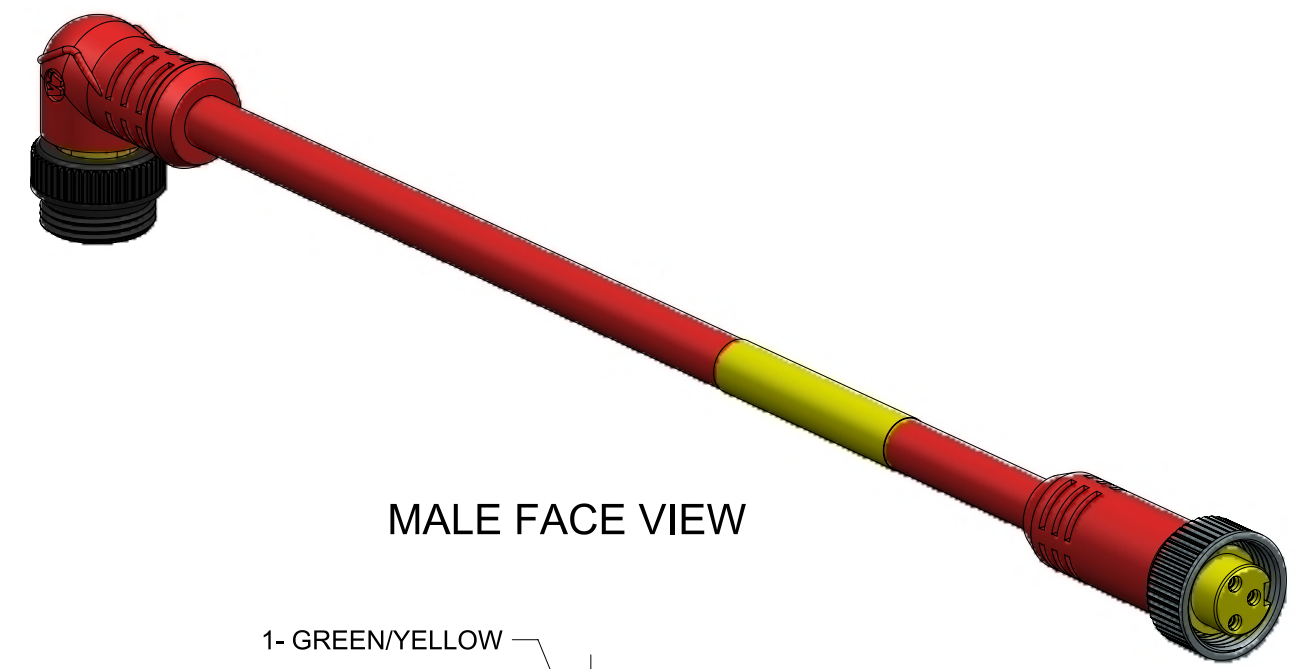
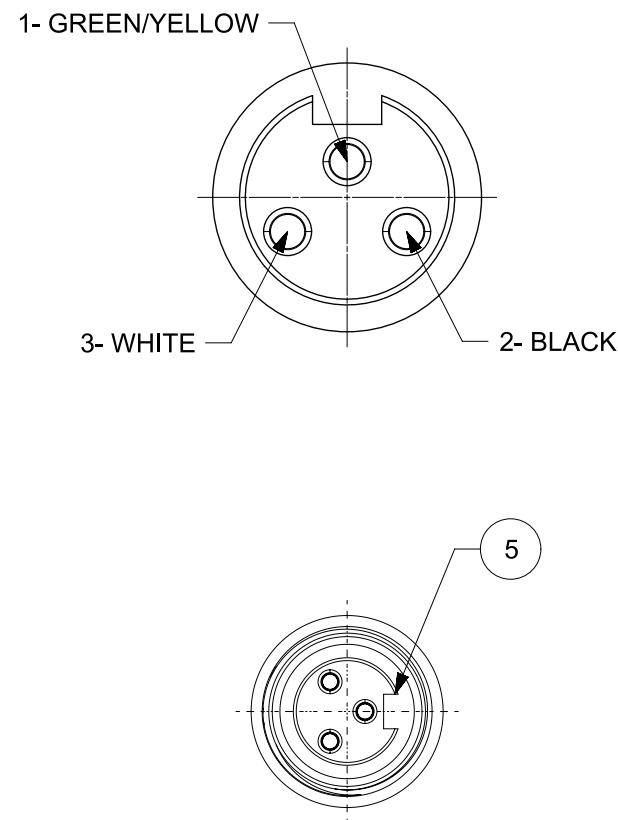


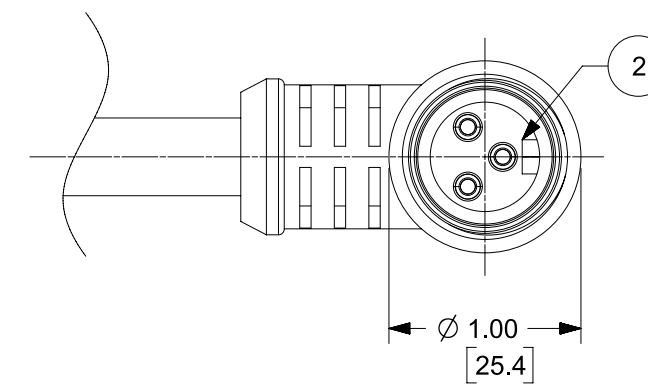
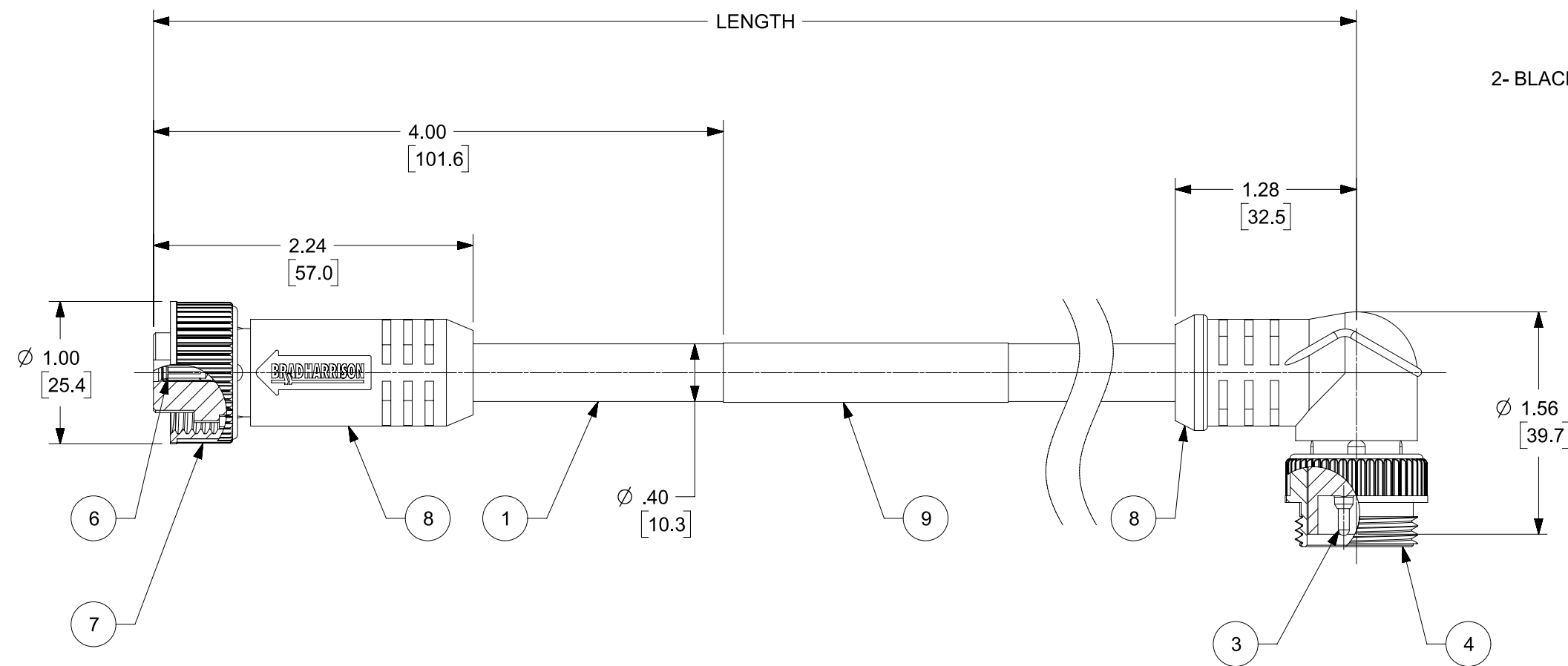
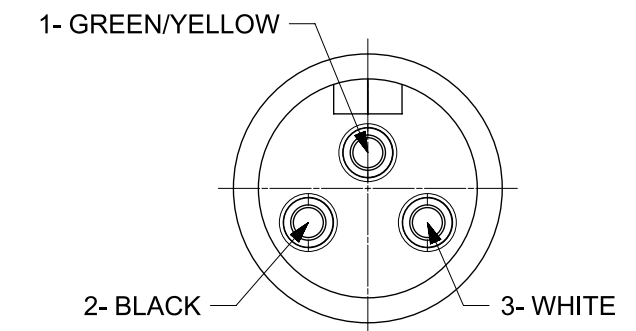
PART NO.	ENGINEERING NO.	LENGTH
1300102112	113032K10M010E	1M (3 FT 3 IN)
1300102172	113032K10M020E	2M (6 FT 7 IN)



FEMALE FACE VIEW



MALE FACE VIEW



NOTES:

- MATERIAL: AS NOTED
- FINISH: AS NOTED
- ELECTRICAL:
VOLTAGE: 500V PER IEC60664
600V PER UL2238
CURRENT: 13A
- TEMP RATING: -20°C TO +90°C
- PROTECTION: IP67 (WHEN MATED)
- COUPLING THREADS: 7/8"-16UN
- ADDITIONAL CABLE SPECIFICATIONS:
TORSIONAL FLEX TEST: 20 MILLION CYCLES
BEND FLEX TEST: 20 MILLION CYCLES AT 10X OD
- ALL DIMS ARE FOR REFERENCE UNLESS TOLERANCED OR NOTED OTHERWISE
- UL APPROVAL: PENDING

PART NUMBER MATRIX

113032K10M010E — RED OVERMOLD

LENGTH
M001 = .1 METERS
M010 = 1.0 METERS
M100 = 10 METERS

SALES DRAWING
CUSTOMER PRODUCTION APPROVAL
APPROVED BY: _____
DATE: _____
MUST BE SIGNED AND RETURNED
BEFORE PRODUCTION WILL BEGIN

ITEM	DESCRIPTION	MATERIAL	FINISH
9	WRAP LABEL	VINYL	BLACK/YELLOW
8	OVERMOLD	TPE	RED
7	FEMALE COUPLER	ZINC DIE CAST	BLACK E-COAT
6	CONTACT SOCKET	COPPER ALLOY	GOLD PLATED
5	FEMALE INSERT (A-SIZE)	TPE	YELLOW
4	MALE COUPLER	ZINC DIE CAST	BLACK E-COAT
3	CONTACT PIN	COPPER ALLOY	GOLD PLATED
2	MALE INSERT (A-SIZE)	TPE	YELLOW
1	CABLE #16-3 AWG TC-ER, FT-4	TPE JACKET	RED

CABLE LENGTH TOLERANCES
 >.3M [1FT]: +19mm-0 [+.75in-0]
 .3 - .9M [1 - 3FT]: +44.5mm-0 [+1.75in-0]
 .9 - 1.8M [3 - 6FT]: +55.6mm-0 [+2.19in-0]
 1.8 - 3.7M [6 - 12FT]: +88.9mm-0 [+3.50in-0]
 3.7 - 7.3M [12 - 24FT]: +165.1mm-0 [+6.50in-0]
 7.3-14.6M [24 - 48FT]: +317.5mm-0 [+12.50in-0]
 14.6 - 30.5M [48-100FT]: +622.3mm-0 [+24.50in-0]
 OVER 30M [100FT] +2% OF FINISHED LENGTH

SYMBOLS		THIS DRAWING CONTAINS INFORMATION THAT IS PROPRIETARY TO MOLEX ELECTRONIC TECHNOLOGIES, LLC AND SHOULD NOT BE USED WITHOUT WRITTEN PERMISSION	
DIMENSION UNITS	SCALE	CURRENT REV DESC: INITIAL RELEASE	
▽ = 0	HYBRID	1:1	
▽ = 0	GENERAL TOLERANCES (UNLESS SPECIFIED)	EC NO: 623053	
▽ = 0	ANGULAR TOL ± °	DRWN: MZIELINSKI	2017/09/13
▽ = 0	4 PLACES ±	CHK'D: MZIELINSKI	2019/08/28
▽ = 0	3 PLACES ±	APPR: BWOODMAN	2019/08/29
▽ = 0	2 PLACES ±	INITIAL REVISION:	
▽ = 0	1 PLACE ±	DRWN: MZIELINSKI	2017/09/13
▽ = 0	0 PLACES ±	APPR: BWOODMAN	2019/08/29
■ = 0	DRAFT WHERE APPLICABLE MUST REMAIN WITHIN DIMENSIONS	THIRD ANGLE PROJECTION	DRAWING SERIES
▽ = 0		C-SIZE	130010

molex

MINI-CHANGE 3P MALE/FEM EXTENTION
90/ST #16AWG RED TPE

PRODUCT CUSTOMER DRAWING

DOCUMENT NUMBER	DOC TYPE	DOC PART	REVISION
1300102112	PSD	000	A
MATERIAL NUMBER	CUSTOMER	SHEET NUMBER	
SEE P/N CHART	FORD	1 OF 1	

DOCUMENT STATUS	P1	RELEASE DATE	2019/08/29	15:48:01
-----------------	----	--------------	------------	----------