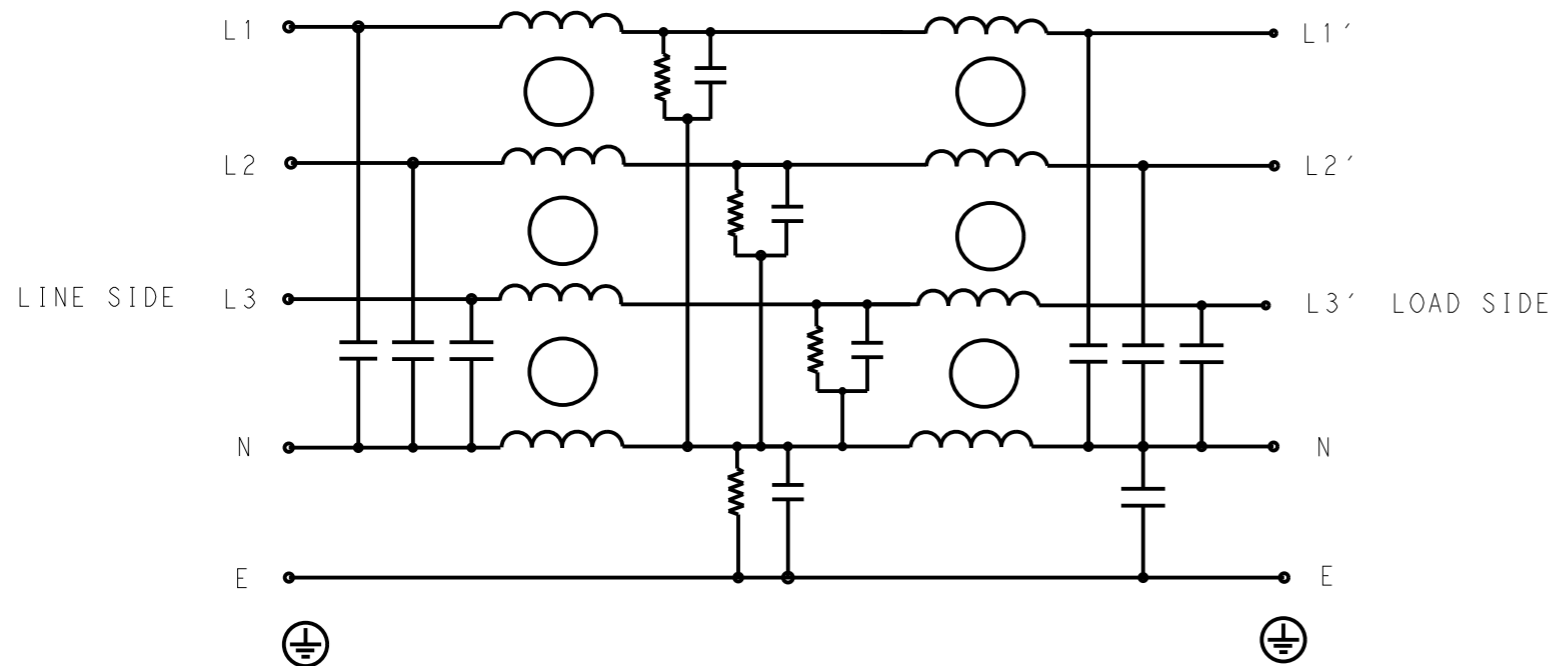


P	LTR	DESCRIPTION	DATE	DWN	APVD
	A	INITIAL RELEASE	21APR2021	SR	CB



SCHEMATIC

SAFETY ORGANIZATIONS  
 THIS FILTER WILL BE FORMALLY RECOGNIZED, CERTIFIED OR APPROVED BY THE LISTED AGENCY. THEREFORE, ALL TEST/REQUIREMENTS SPECIFIED IN THE LATEST REVISION OF THE FOLLOWING AGENCY STANDARDS WILL BE MET:

UL APPROVED 42A 440V 50Hz/60Hz 50°C  
 CSA APPROVED 42A 440V 50Hz/60Hz 50°C

OPERATING SPECIFICATION  
 LINE CURRENT/VOLTAGE: 42A, 440VAC  
 LINE FREQUENCY: 50/60Hz

MAXIMUM LEAKAGE CURRENT: 11mA @ 230VAC, 50Hz  
 OPERATING AMBIENT TEMPERATURE RANGE @ RATED CURRENT: -10°C TO +50°C

IN AN AMBIENT, T<sub>a</sub>, HIGHER THAN 50°C, THE MAXIMUM OPERATING CURRENT, I<sub>o</sub>, IS AS FOLLOWS:

$$I_o = I_r \sqrt{\frac{105 - T_a}{55}}$$

RELIABILITY SPECIFICATIONS  
 STORAGE TEMPERATURE: -40°C TO +85°C  
 HUMIDITY: 21 DAYS @ 40°C AND 95% RH

TEST SPECIFICATIONS  
 INDUCTANCE, NOMINAL: 3mH

CAPACITANCE @ 1kHz  
 NEUTRAL TO GROUND, NOMINAL: 2.2µF  
 LINE TO NEUTRAL, NOMINAL: 3µF

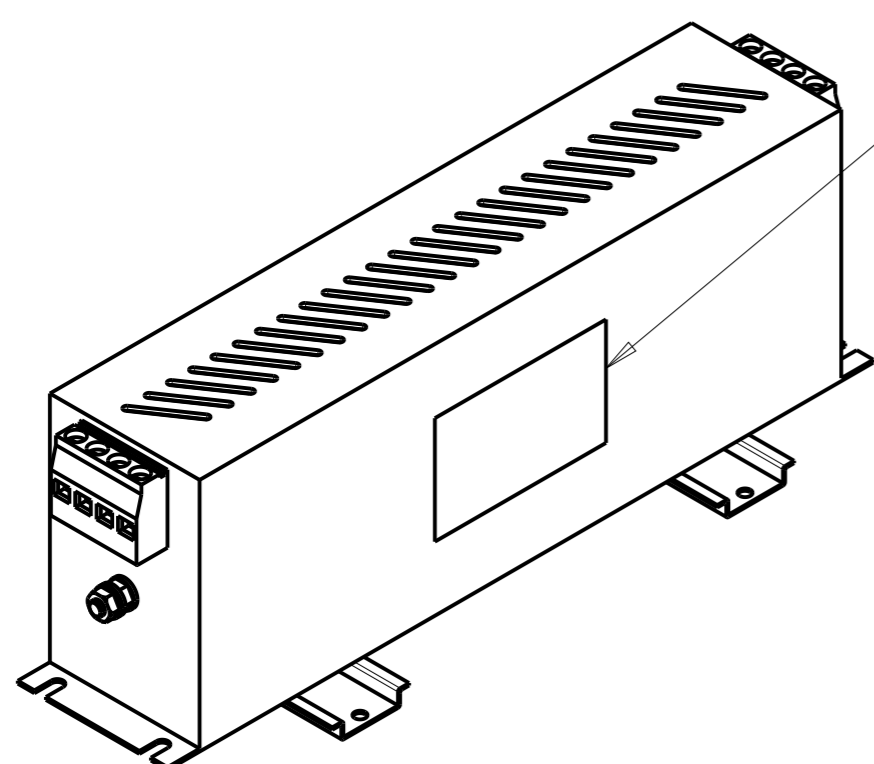
DISCHARGE RESISTOR  
 L/L I.R. 2MΩ 1W  
 L/N I.R. 1.5MΩ 1W  
 L/G I.R. 2MΩ 1W  
 N/G I.R. 680KΩ 1W  
 IR (NO DISCHARGE RESISTOR) 20°C, 50% RH AND 100VDC, MIN: 6MΩ

RECOMMENDED RECEIVING INSPECITON HIPOI  
 LINE TO GROUND FOR 1 MINUTE: 2632VDC  
 LINE TO LINE FOR 1 MINUTE: 1892VDC  
 LINE TO NEUTRAL FOR 1 MINUTE: 1093VDC

FILTER APPROVAL  
 THE BEST WAY TO SELECT AND QUALIFY A FILTER IS FOR YOUR ENGINEERING TO TEST THE UNIT IN YOUR EQUIPMENT.

TYPICAL INSERTION LOSS  
 COMMON MODE 50/50Ω; DIFFERENTIAL MODE 50/50Ω

MHz	0.01	0.05	0.15	0.5	1	3	5	10	30
CM	50	50	61	75	78	65	57	46	32
DM	32	32	50	80	75	72	46	26	22



LABEL TO TE MARKING SPECIFICATION

THIS DRAWING IS A CONTROLLED DOCUMENT.		DWN SUPREETH R 21APR2021		
		CHK CHRIS BOLLE 21APR2021		
		APVD CHRIS BOLLE 21APR2021	NAME POWER LINE FILTER FOR DIN 35 RAIL INSTALLATION 42KEVD10ABSWHM	
DIMENSIONS: mm		PRODUCT SPEC -	SIZE A300779 CAGE CODE C-3-1609998-6	
TOLERANCES UNLESS OTHERWISE SPECIFIED:		APPLICATION SPEC -	DRAWING NO C-3-1609998-6	
0 PLC ±-		WEIGHT -	RESTRICTED TO -	
1 PLC ±0.5		SCALE 2:5 SHEET 1 OF 2 REV A		
2 PLC ±0.40				
3 PLC ±0.130				
4 PLC ±0.0500				
ANGLES ±-				
MATERIAL -		CUSTOMER DRAWING		
FINISH -				

© 2021 TE Connectivity. All Rights Reserved.

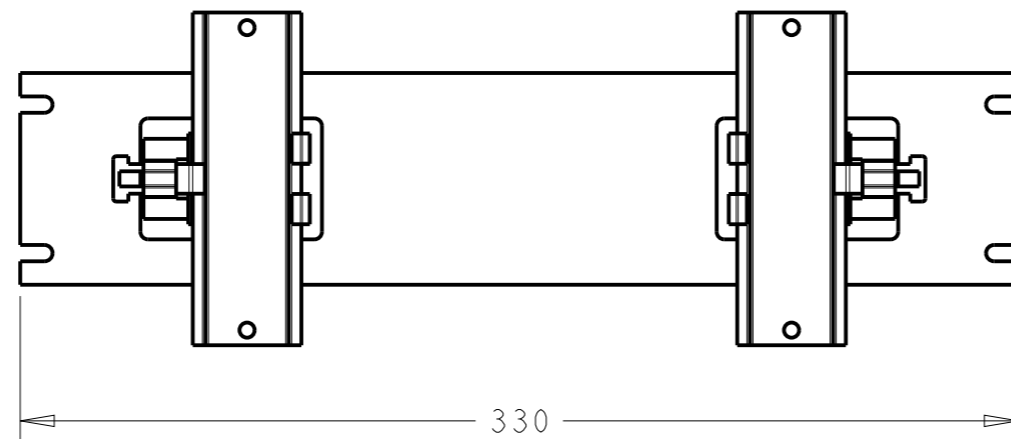
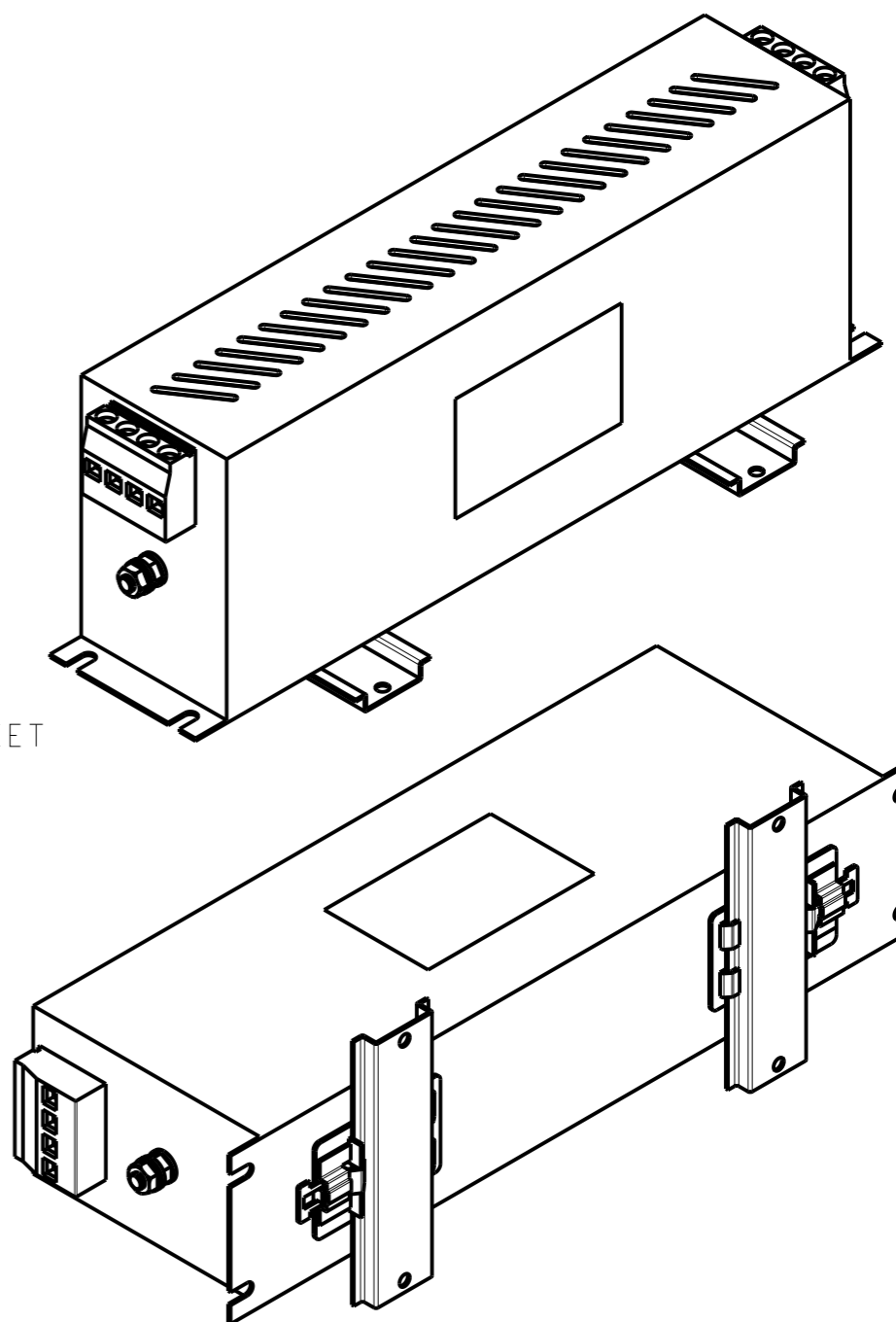
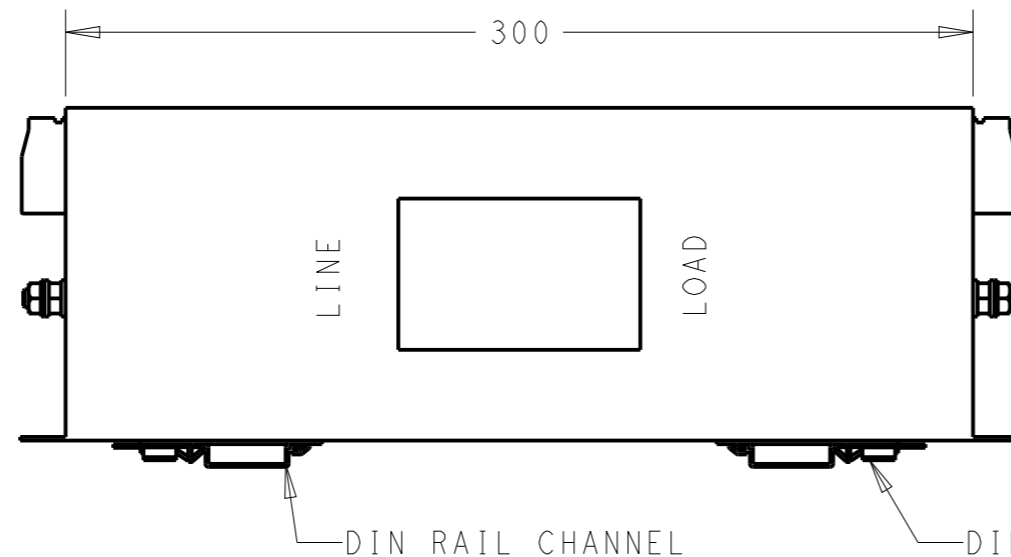
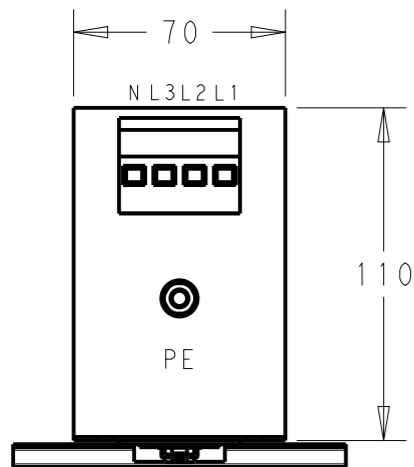
NOTE 1 GROUND CONNECTION:  
 FOR ELECTRICAL SAFETY AND FILTER PERFORMANCE  
 UNIT MUST HAVE A GOOD GROUND CONNECTION.  
 TORQUE OUTER TERMINAL SCREWS: 1.2Nm / 10.8 in.lbs  
 TORQUE GROUND NUTS: 2.5-3Nm

NOTE 2 INPUT OUTPUT CONNECTION TERMINAL  
 AWG SIZE: 26-8 AWG  
 WIRE SECTION: 10mm<sup>2</sup>  
 THREADED BOLT SIZE FOR GROUND: M6

NOTE 3 SUPPLIED WITH DIN RAIL BRACKET.

NOTE 4 DRAWING SHOWS DIN RAIL FOR REFERENCE ONLY.

REVISIONS					
P	LTR	DESCRIPTION	DATE	DWN	APVD
		SEE SHEET 1			



THIS DRAWING IS A CONTROLLED DOCUMENT.		DWN	21APR2021	<b>TE</b> TE Connectivity	NAME POWER LINE FILTER FOR DIN 35 RAIL INSTALLATION 42KEVD10ABSWHM										
DIMENSIONS: mm		CHK	21APR2021												
TOLERANCES UNLESS OTHERWISE SPECIFIED:		APVD	21APR2021												
<table border="0"> <tr><td>0 PLC</td><td>±</td></tr> <tr><td>1 PLC</td><td>±0.5</td></tr> <tr><td>2 PLC</td><td>±0.40</td></tr> <tr><td>3 PLC</td><td>±0.130</td></tr> <tr><td>4 PLC</td><td>±0.0500</td></tr> <tr><td>ANGLES</td><td>±</td></tr> </table>		0 PLC	±			1 PLC	±0.5	2 PLC	±0.40	3 PLC	±0.130	4 PLC	±0.0500	ANGLES	±
0 PLC	±														
1 PLC	±0.5														
2 PLC	±0.40														
3 PLC	±0.130														
4 PLC	±0.0500														
ANGLES	±														
MATERIAL	-	FINISH	-	APPLICATION SPEC	-										
		WEIGHT	-	SIZE	A3										
		CUSTOMER DRAWING		CAGE CODE	00779										
				DRAWING NO	C-3-1609998-6										
				RESTRICTED TO	-										
				SCALE	2:5										
				SHEET	2 OF 2										
				REV	A										