

NOTES:

1. ALL PARTS TO BE BULK PACKED UNLESS NOTED.
2. INSTA CLICK CABLE END ASSEMBLY IS SUPPLIED AS A KIT. SEE KIT DRAWING. CONTACTS SUPPLIED UNASSEMBLED FOR CRIMP AND ASSEMBLED FOR SOCKET VERSIONS
3. ALL DIMENSIONS ARE REFERENCED IN INCHES [MM], WITHIN ± 0.015 UNLESS NOTED.
4. SIZE #12, 2 POSITION CRIMP CONTACTS ASSEMBLY IS BEEN SHOWN AS EXAMPLE. VISIT PART NUMBERING SYSTEM CHART TO VISIT VARIOUS SELECTIONS

PART NUMBER SYSTEM

W 3 X 8 X - X SG -P- 5 XX

CONTACT SIZES

- 1' - SIZE #12
- 2' - SIZE #20
- 3' - SIZE #16

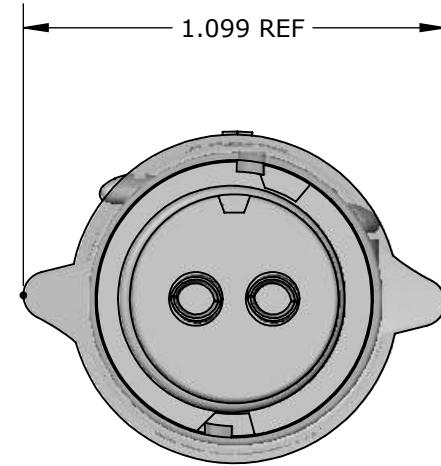
CONTACTS STYLE

- 0' - CRIMP
- 2' - SOLDER

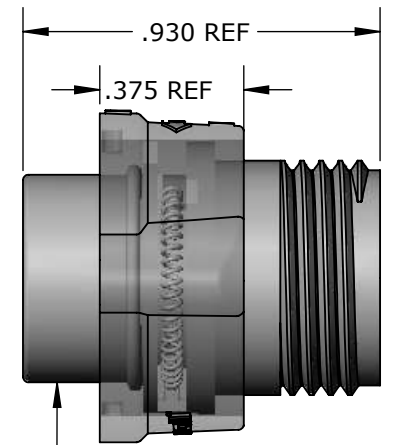
CONTACT POSITIONS

- POSITION 2, 3 & 4 (AVAILABLE IN SIZE #12)
- POSITION 4, 5 & 6 (AVAILABLE IN SIZE #16)
- POSITION 4,5,6,7,8,9,10,11&12 (AVAILABLE IN SIZE #20)

- 15 - CABLE OD 0.15 - 0.17 [3.8 - 4.3mm]
- 18 - CABLE OD 0.18 - 0.20 [4.6 - 5.1mm]
- 21 - CABLE OD 0.21 - 0.23 [5.3 - 5.8mm]
- 24 - CABLE OD 0.24 - 0.27 [6.1 - 6.8mm]
- 28 - CABLE OD 0.28 - 0.29 [7.1 - 7.4mm]
- 30 - CABLE OD 0.30 - 0.32 [7.6 - 8.1mm]
- 35 - CABLE OD 0.35 - 0.40 [8.9 - 10.2mm]



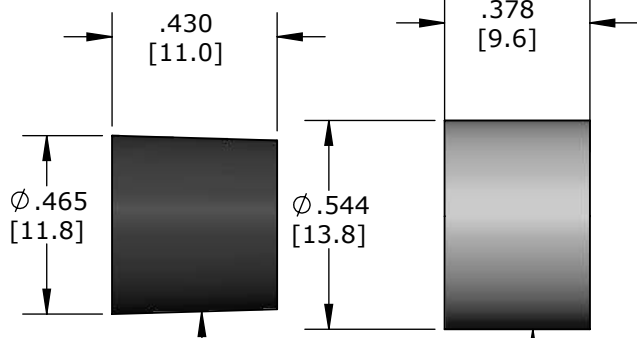
W3182-2SG-P-5XX SHOWN MATING VIEW



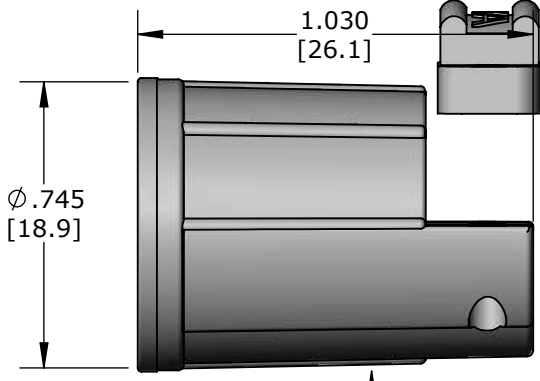
CABLE END CONN KIT
MATL:
HOUSING- THERMOPLASTIC, BLACK
COUPLING RING- THERMOPLASTIC, BLACK
O-RING - RED SILICONE
INTERNAL SPRING - STAINLESS STEEL



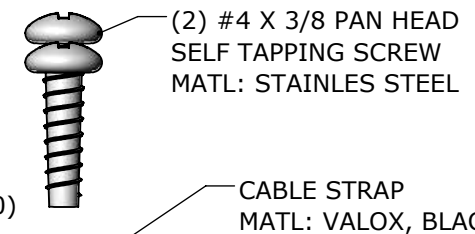
#12 SOLDER CONTACTS SHOWN HERE
MATL: COPPER ALLOY, GOLD PLATED



SLEEVE
MATL: THERMOPLASTIC, BLACK

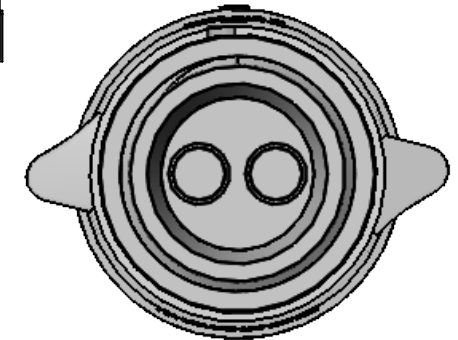


BACKSHELL
MATL: THERMOPLASTIC, BLACK



(2) #4 X 3/8 PAN HEAD SELF TAPPING SCREW
MATL: STAINLESS STEEL

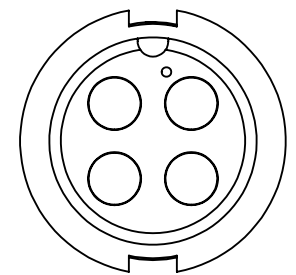
CABLE STRAP
MATL: VALOX, BLACK



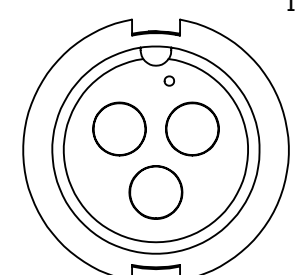
W3182-2SG-P-5XX SHOWN WIRE VIEW

GROMMET

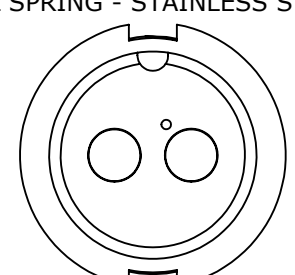
- MATL: SANTOPRENE, BLACK
- W3182-2SG-P-515 0.156 ID FOR CABLES 0.15 - 0.17 [3.5 - 4.3mm]OD
 - W3182-2SG-P-518 0.187 ID FOR CABLES 0.18 - 0.20 [4.6 - 5.1mm]OD
 - W3182-2SG-P-521 0.225 ID FOR CABLES 0.21 - 0.23 [5.3 - 5.8mm]OD
 - W3182-2SG-P-524 0.250 ID FOR CABLES 0.24 - 0.27 [6.1 - 6.8mm]OD
 - W3182-2SG-P-528 0.285 ID FOR CABLES 0.28 - 0.29 [7.1 - 7.4mm]OD
 - W3182-2SG-P-530 0.312 ID FOR CABLES 0.30 - 0.32 [7.6 - 8.1mm]OD
 - W3182-2SG-P-535 0.375 ID FOR CABLES 0.35 - 0.40 [8.9 - 10.2mm]OD



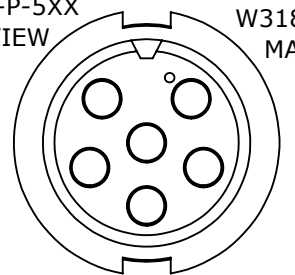
W3182-4SG-P-5XX MATING VIEW



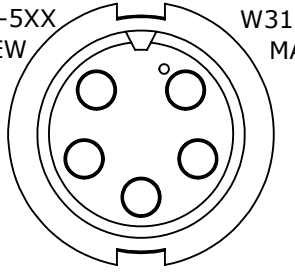
W3182-3SG-P-5XX MATING VIEW



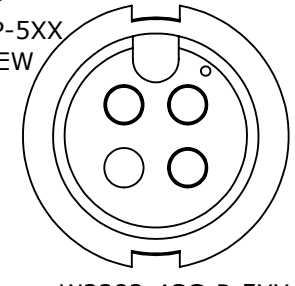
W3182-2SG-P-5XX MATING VIEW



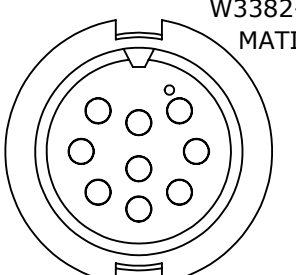
W3382-6SG-P-5XX MATING VIEW



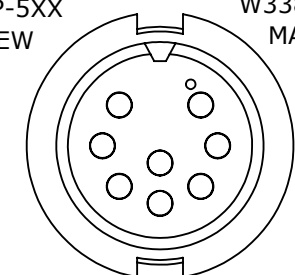
W3382-5SG-P-5XX MATING VIEW



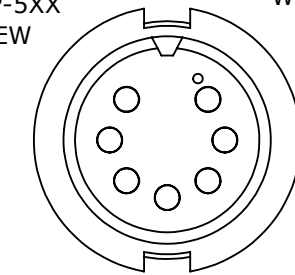
W3382-4SG-P-5XX MATING VIEW



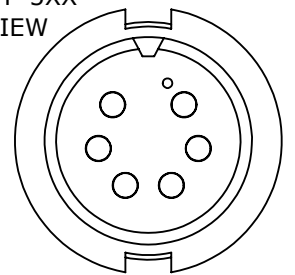
W3282-9SG-P-5XX MATING VIEW



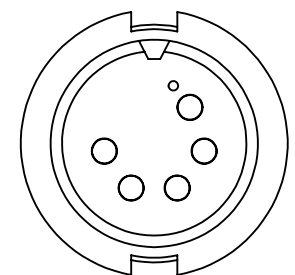
W3282-8SG-P-5XX MATING VIEW



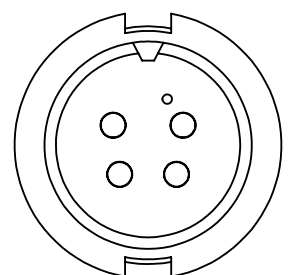
W3282-7SG-P-5XX MATING VIEW



W3282-6SG-P-5XX MATING VIEW



W3282-5SG-P-5XX MATING VIEW



W3282-4SG-P-5XX MATING VIEW

CUSTOMER PRINT

PART NUMBER: W3X8X-XSG-P-5XX

0A	AM	04/05/22	CUSTOMER DRAWING
REV.	INIT.	DATE	DESCRIPTION
	AM	04/05/22	
<small>ALL INFORMATION ILLUSTRATED IS THE PROPERTY OF CONXALL CORPORATION. UNAUTHORIZED DUPLICATION OR DISTRIBUTION OF THIS DOCUMENT IS PROHIBITED.</small>			<p>601 E. WILDWOOD VILLA PARK, IL 60181</p>
<small>ALL UNITS ARE IN FEET, INCHES, FRACTION OF INCHES AND DECIMALS. UNLESS OTHERWISE SPECIFIED TOLERANCES: 3 PLACE DECIMALS ±.005 ANGLES ±1° FRACTIONS ±1/16</small>			
APPROVED BY:		TITLE: CABLE END CONNECTOR ASSEMBLY (2-4) #12, (4-6) #16, (4-12) #20 SKT CONTACTS MULTI CONX INSTA CLICK STANDARD PRODUCT	
SCALE	SIZE	SHEET	CUSTOMER:
NTS	B	1 OF 1	W3X8X-XSG-P-5XX
FILE:	DIRECTORY:	PART NUMBER:	REV
FILE NAME	SLW	W3X8X-XSG-P-5XX	0A