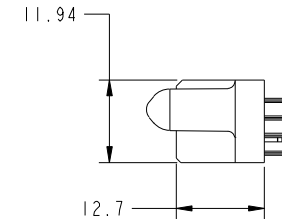
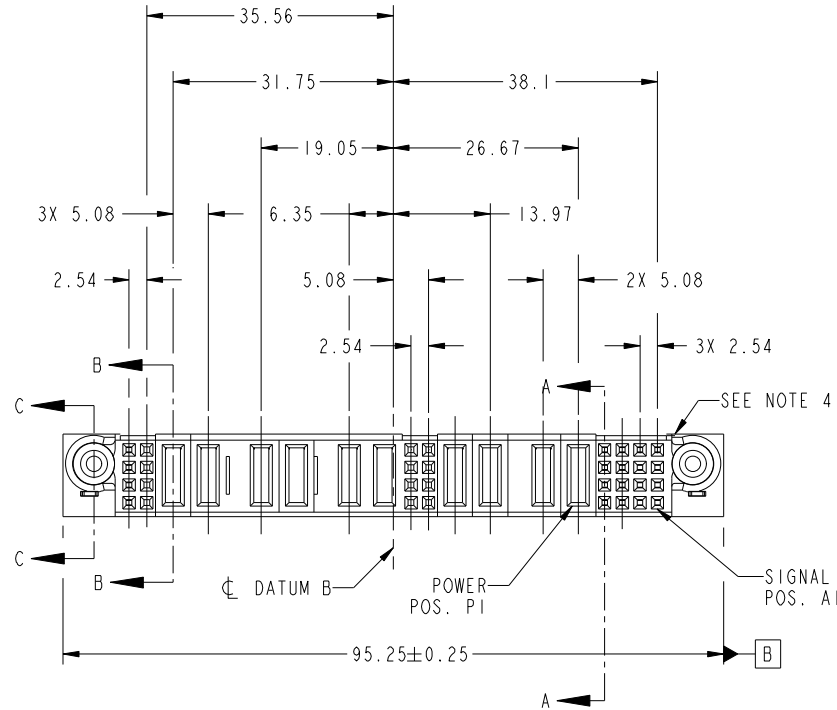


Tous droits strictement reserves. Reproduction ou communication a des tiers interdite sous quelque forme que ce soit sans autorisation écrite du propriétaire. Propriete de c FCI. Droits de reproduction FCI.



All rights strictly reserved. Reproduction or issue to third parties in any form whatever is not permitted without written authority from the proprietor. Property of FCI. Copyright FCI.

PRODUCT NO.	ROWS	SIG		POWER						SIG		POWER				SIG		
		E2	8 7	P10	P9	P8	P7	P6	P5	6 5	P4	P3	P2	P1	4	3	2	1
51940-175_	D C B A		EXX EXX EXX	PD	PD	PD	PD	PA	PA	XX XX XX	PA	X	PD	X	EEEE EEEE EEEE	EEEE EEEE EEEE		
NOTE: 3			EXX EXX EXX	PD	PD	PD	PD	PA	PA	XX XX XX	PA	X	PD	X	EEEE EEEE EEEE	EEEE EEEE EEEE		



CODE	DIM "M" MATING LENGTH	CONTACT TYPE
E	[N/A]	SIGNAL
PA	[1.07]	POWER
PD	[2.34]	POWER
HA	[N/A]	HOLD-DOWN
X	OMITTED	OMITTED

mat'l code				0	tolerances unless otherwise specified		CUSTOMER		
ltr	ecn no.	dr	date	linear	0.X ±0.3	projection		www.fciconnect.com	
A	DG07-0442	JC	11/08/07	angles	0.XX ±0.13			title	16S + 4P + 8S + 6P + 8S
					0.XXX ±0.051			VERTICAL SOLDER RECEPTACLE	
					0° ±2°	MIM	product family	PwrBlade	
				dr	Jerome Chen	11/08/07	size	dwg no	
				enrg	Jerome Chen	11/08/07	A	51940-175	
				chr	Gary Hsieh	11/08/07	code	213	
				appd	Joseph Hsia	11/08/07	sheet	1 of 4	
sheet index	revision sheet	A	A	A	A	A	scale	1:1	
		1	2	3	4		cage code	22526	

Pro/E

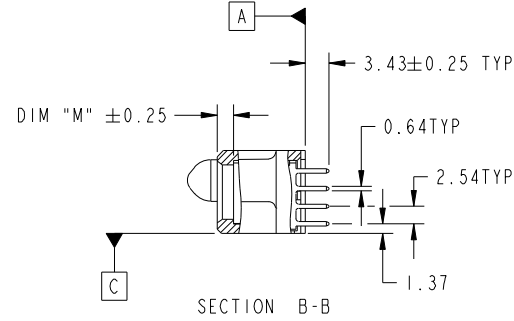
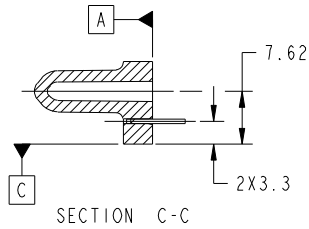
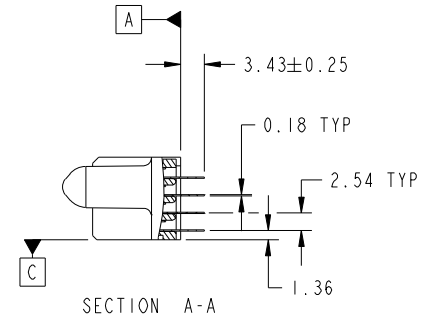
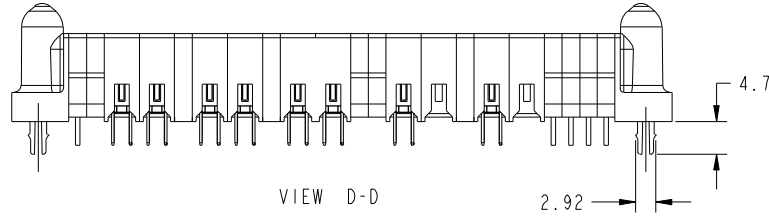
cage code 22526

Tous droits strictement reserves. Reproduction ou communication a des tiers interdite sous quelque forme que ce soit sans autorisation écrite du propriétaire. Propriete de c FCI. Droits de reproduction FCI.



All rights strictly reserved. Reproduction or issue to third parties in any form whatever is not permitted without written authority from the proprietor. Property of FCI. Copyright FCI.

PRODUCT NUMBER
51940-175--
NOTE: 3



mat'l code				0	tolerances unless otherwise specified		CUSTOMER		 www.fciconnect.com	
ltr	ecr no.	dr	date	linear	0.X ±0.3		COPY		title 16S + 4P + 8S + 6P + 8S VERTICAL SOLDER RECEPTACLE	
A					0.XX ±0.13		projection			
					0.XXX ±0.051					
				angles	0° ±2°		 MIM		product family PwrBlade code	
					dr	Jerome Chen			11/08/07	size
				enr	Jerome Chen	11/08/07	scale	A	51940-175	sheet
				chr	Gary Hsieh	11/08/07				
				appd	Joseph Hsia	11/08/07				
sheet index	revision sheet									

cage code 22526

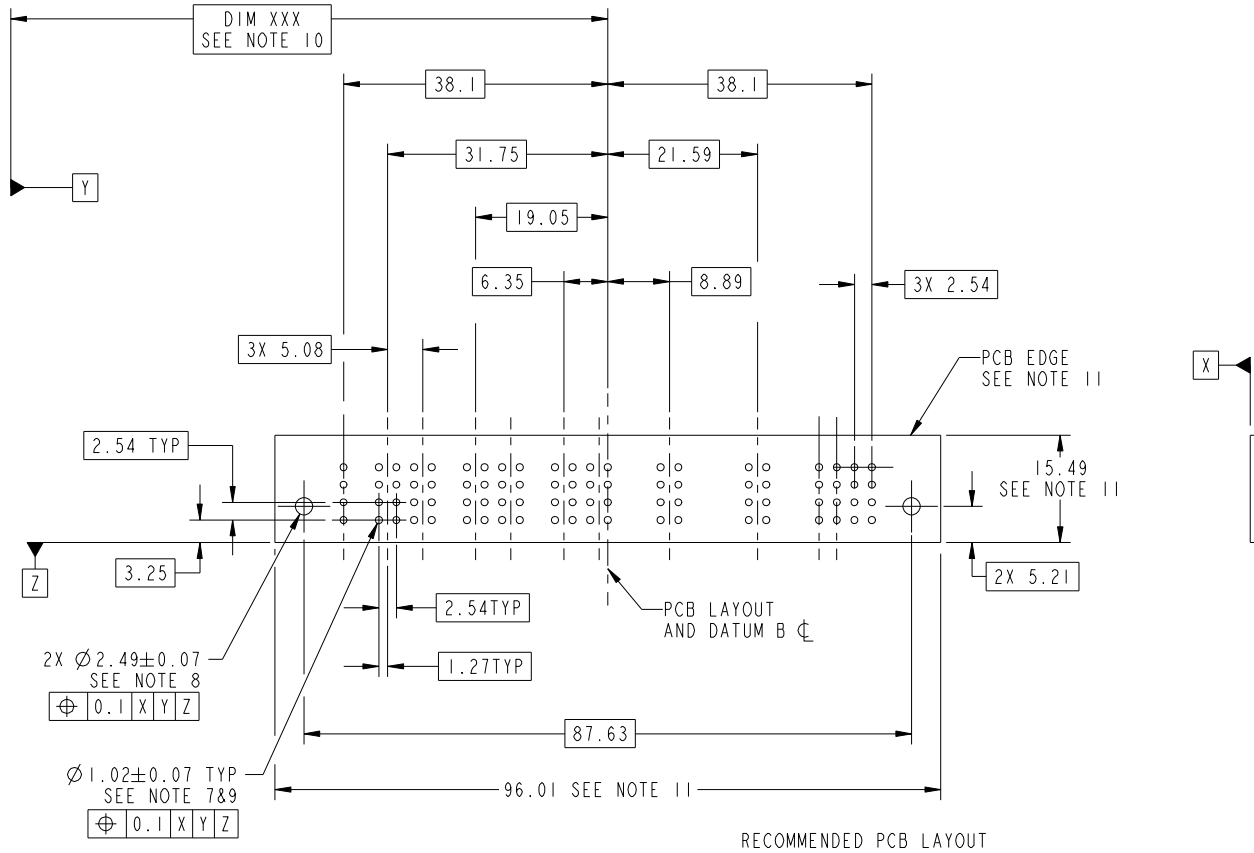
Pro/E

Tous droits strictement reserves. Reproduction ou communication a des tiers interdite sous quelque forme que ce soit sans autorisation écrite du propriétaire. Propriete de c FCI. Droits de reproduction FCI.



All rights strictly reserved. Reproduction or issue to third parties in any form whatever is not permitted without written authority from the proprietor. Property of FCI. Copyright FCI.

PRODUCT NUMBER
51940-175__
NOTE: 3



mat'l code		0		tolerances unless otherwise specified		CUSTOMER		FCI		www.fciconnect.com	
ltr	ecn no.	dr	date	linear	0.X ± 0.3	COPY		projection		title 16S + 4P + 8S + 6P + 8S VERTICAL SOLDER RECEPTACLE	
A					0.XX ± 0.13	MIM		product family		PwrBlade code 213	
				angles	0.XXX ± 0.051	← MIM →		size		dwg no 213	
				dr	0° ± 2°	scale		A		sheet 3 of 4	
				enr	Jerome Chen 11/08/07	1:1		51940-175			
				chr	Jerome Chen 11/08/07						
				appd	Gary Hsieh 11/08/07						
					Joseph Hsia 11/08/07						
sheet index	revision sheet										

cage code 22526

Pro/E

Tous droits strictement reserves. Reproduction ou communication a des tiers interdite sous quelque forme que ce soit sans autorisation écrite du propriétaire. Propriete de c FCI. Droits de reproduction FCI.



All rights strictly reserved. Reproduction or issue to third parties in any form whatever is not permitted without written authority from the proprietor. Property of FCI. Copyright FCI.

PRODUCT NUMBER
51940-175__
NOTE: 3

NOTES:

- DIMENSIONS AND TOLERANCES ARE IN ACCORDANCE WITH ASME Y14.5M, 1994 UNLESS OTHERWISE SPECIFIED.
- CONNECTOR NOTES:
 - HOUSING MATERIAL: UL 94 V-0 GLASS FILLED HIGH-TEMP THERMOPLASTIC
POWER CONTACT MATERIAL: COPPER ALLOY
SIGNAL PIN MATERIAL: COPPER ALLOY
 - PLATING:
SEE PRINT 10064183 FOR PLATING SPEC OF 51940-175; 51940-175LF.
 - MANUFACTURER'S NAME, P/N, AND DATE CODE TO APPEAR ON THIS SURFACE.
 - PRODUCT SPECIFICATION GS-12-149.
APPLICATION SPECIFICATION BUS-20-067.
- PACKAGED IN TRAYS.

PCB NOTES:

- ALL HOLE DIAMETERS ARE FINISHED HOLE SIZE.
- MOUNTING HOLES, WHERE APPLICABLE, ARE UNPLATED.
- $\varnothing 1.151 \pm 0.025$ DRILLED HOLES PLATED WITH 0.008 MIN SnPb OR Sn OVER 0.03 TO 0.08 Cu PLATING TO ACHIEVE $\varnothing 1.02 \pm .07$ HOLE.
- "DIM XXX" TO BE DETERMINED BY THE CUSTOMER.
- CONNECTOR KEEP-OUT ZONE.

mat'l code		0		tolerances unless otherwise specified		CUSTOMER		 www.fciconnect.com	
ltr	ecn no.	dr	date	linear	0.X ± 0.3	COPY		 title 16S + 4P + 8S + 6P + 8S VERTICAL SOLDER RECEPTACLE	product family PwrBlade code 213 size dwg no 51940-175 sheet 4 of 4
A					0.XX ± 0.13	 scale 1:1			
				angles	0.XXX ± 0.051				
				dr	Jerome Chen 11/08/07				
				enr	Jerome Chen 11/08/07				
				chr	Gary Hsieh 11/08/07				
				appd	Joseph Hsia 11/08/07				
sheet index	revision sheet								

cage code 22526

Pro/E