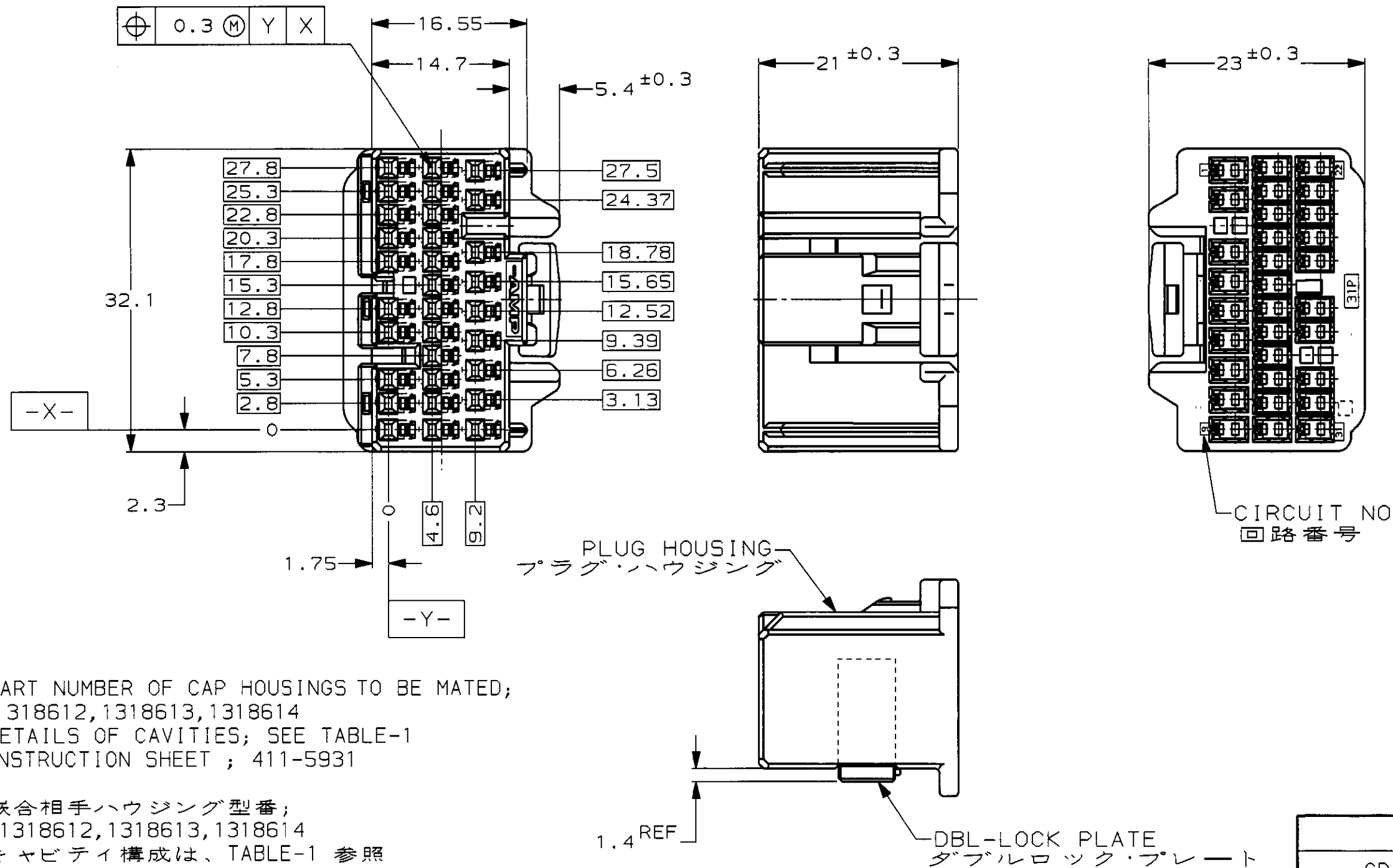


LOC	DIST	REVISIONS						
		P	LTR	DESCRIPTION	ECN	DATE	DWN	APVD
J	-	0		DRAWN	FJ00-1684-99	30SEP99	YF	KO



- PART NUMBER OF CAP HOUSINGS TO BE MATED;  
1318612, 1318613, 1318614
  - DETAILS OF CAVITIES; SEE TABLE-1
  - INSTRUCTION SHEET ; 411-5931
- 嵌合相手ハウジング型番;  
1318612, 1318613, 1318614
  - キャビティ構成は、TABLE-1 参照
  - 取扱説明書 411-5931

TABLE-1

CAVITY キャビティ	POS. 極数	CIRCUIT NO 回路番号	APPLIED CONTACT P/N 適用端子型番	APPLICABLE WIRE RANGE 適用電線	
S	20	10-20 22-30	CAVITY		
			S, M	316836	CAVUS 0.3~0.85mm <sup>2</sup> AVSS/CAVS 0.3~0.5mm <sup>2</sup>
M	11	1-9 21 31	S, M	1123653	CAVUS 0.85mm <sup>2</sup> CAVS/AVSS 0.85mm <sup>2</sup>
			M	316838	CAVUS 1.25mm <sup>2</sup> AVSS/CAVS 0.85~1.25mm <sup>2</sup> AVS 0.5mm <sup>2</sup>

THIS DRAWING IS A CONTROLLED DOCUMENT FOR AMP INCORPORATED. IT IS SUBJECT TO CHANGE AND THE CONTROLLING ENGINEERING ORGANIZATION SHOULD BE CONTACTED FOR THE LATEST REVISION.

DIMENSIONS:  
単位: 概 mm

TOLERANCES UNLESS OTHERWISE SPECIFIED

一般公差  
10<sup>μ</sup> : ±0.2  
30<sup>μ</sup> : ±0.25  
100<sup>μ</sup> : ±0.3  
ANGLE : ±3°

MATERIAL  
材料 PBT

COLOR  
色 SEE TABLE  
表参照

DWN 29SEP99  
Y.FUJIWALA

CHK 30SEP99  
K.ODA

APVD 30SEP99  
K.ODA

PRODUCT SPEC  
製品規格  
108-5673

APPLICATION SPEC  
取付適用規格  
114-5217

WEIGHT  
6.9g

CUSTOMER DRAWING

GRAY (灰)	1318682-6
COLOR (色)	PART NUMBER (型番)
<b>AMP</b> 日本エー・エム・ピー株式会社 Kawasaki, Japan	
NAME 名称 040III HIGH DENSITY CONNECTOR 31POS PLUG HOUSING ASSY (C TYPE)	
SIZE A3	CAGE CODE 00779
DRAWING NO. 番号 C-1318682	
RESTRICTED TO	
SCALE 尺度 2-1	SHEET 1 OF 1
REV 0	