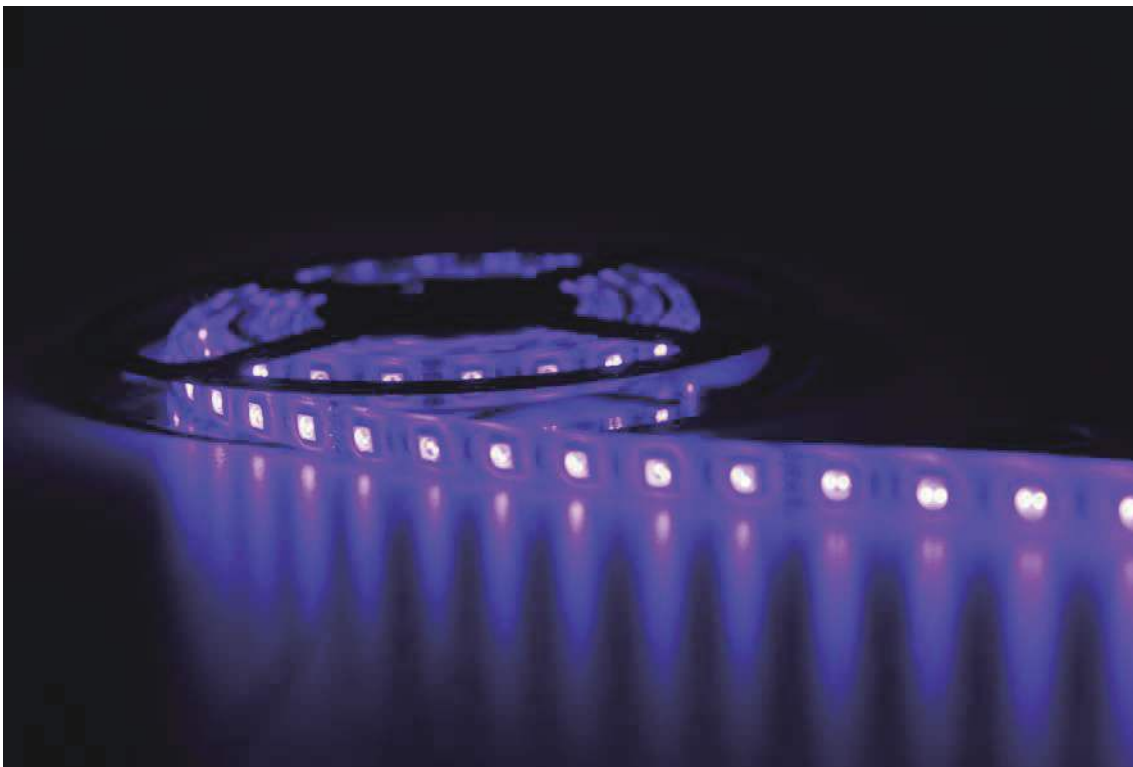


AB-FC012UA-19700-XA2

IP65, 12VDC, 197", UVA light strip

Application:

- Black lighting
- Fishing light
- Counterfeit detection
- Curing
- Photo catalysis
- Decorating
- Dentistry



Feature:

LEDs:	5050 UVA 6-PIN SMD
Light Angle:	120 degree
QTY/Meter	60LEDS
Length:	5M /roll
Power rating	50W
Rated current	4.16A
Operating Temperature:	-20°C~+45°C
Storage Temperature:	-20°C~+60°C
Environment Humidity:	40-70% RH
Protection Grade:	IP65

Product performance parameter:

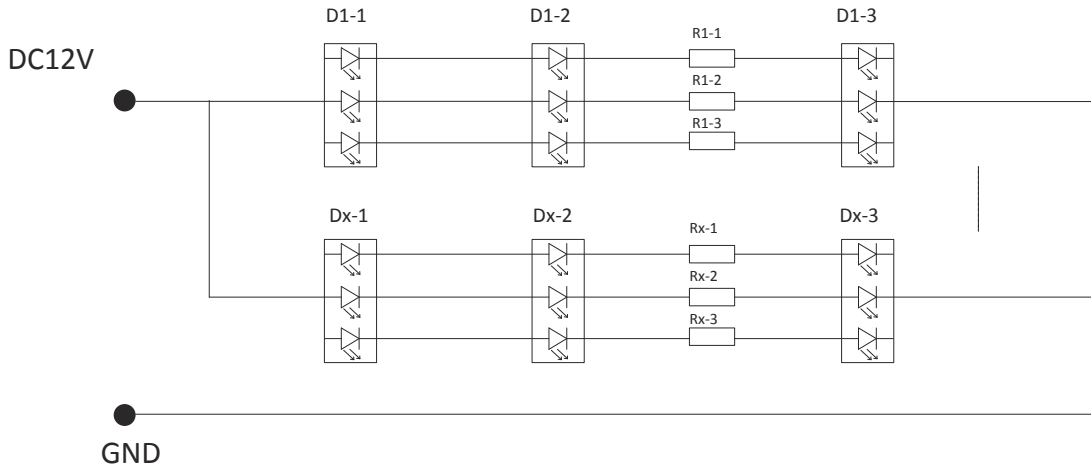
Serial number	Part Number	Wavelength (nm)	QTY/M (39.3in)	Luminous per meter	lm/w	working voltage (12V)/IF(A)	Rated power (W/M)
1	AB-FC012UA-19700-XA2	395-400nm	60LED	15lm	1.5/W	12V/0.83	10

Notes :

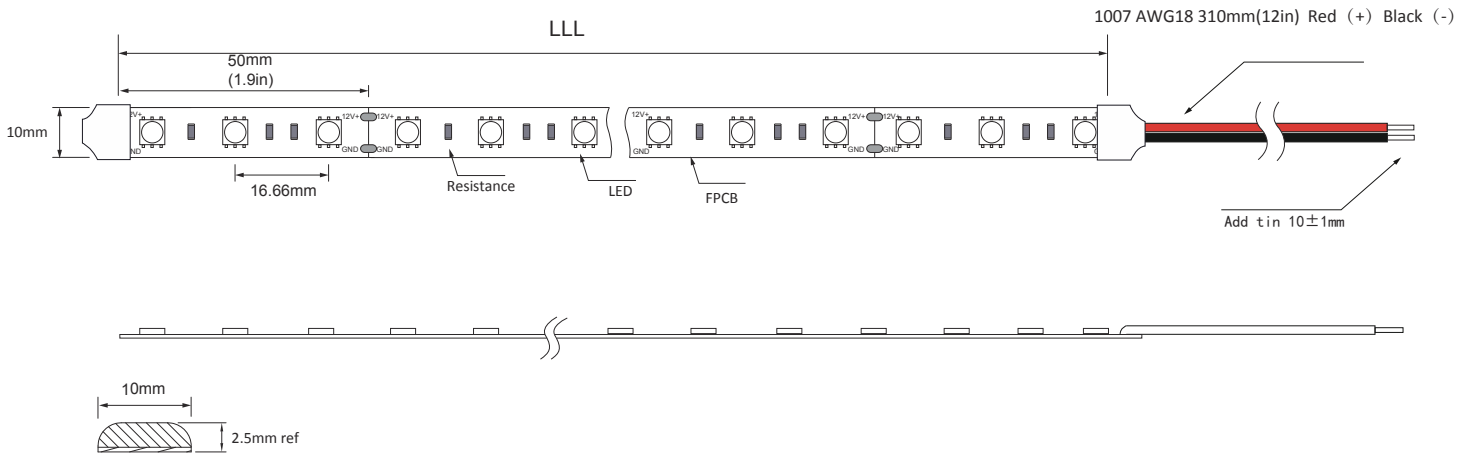
1. Luminous flux plus or minus 10% is allowed in the floating.
2. Photometric standards are based on CIE eye sensitivity curve diagram test.

Schematic diagram:

**Schematic:
(DC12V)**

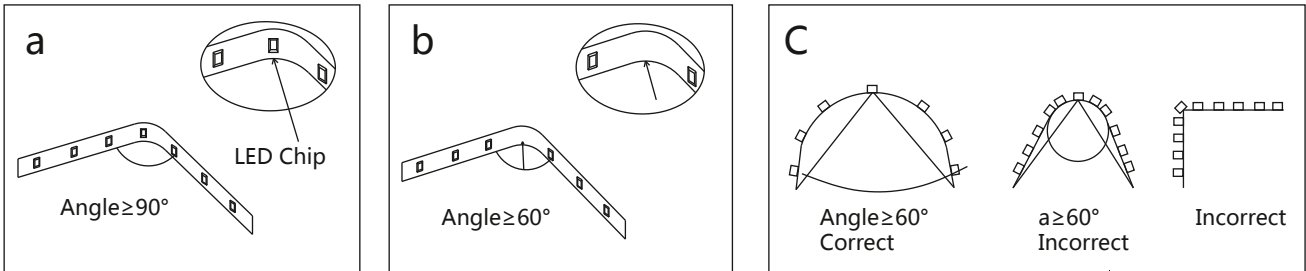


Product size chart:



1. UNIT:MM(IN)
2. PCB color:Black
3. 3M 9495 double-sided tape adhered at the back
4. Cuttable at every 50mm(1.9")

LED Strip Installation

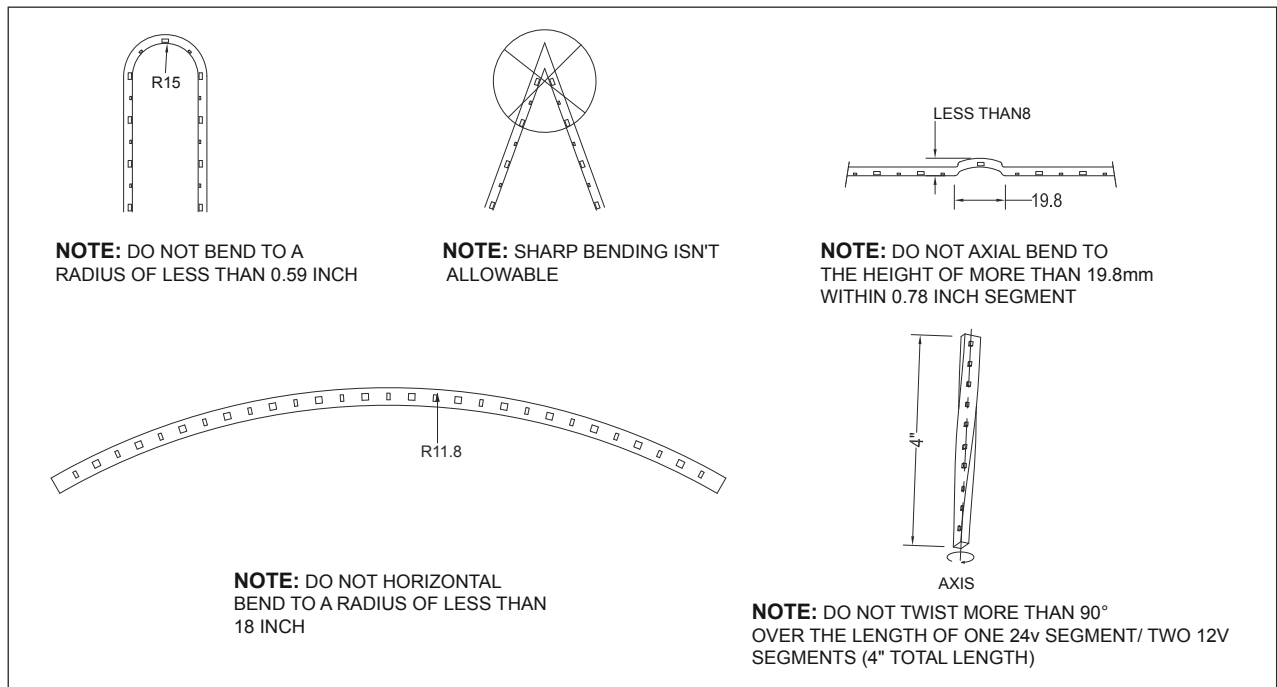


a: use an angle greater or equal to 90 degrees when there is an LED chip on the corner while placing the strip in a concave position (Angle ≥ 90 degree)

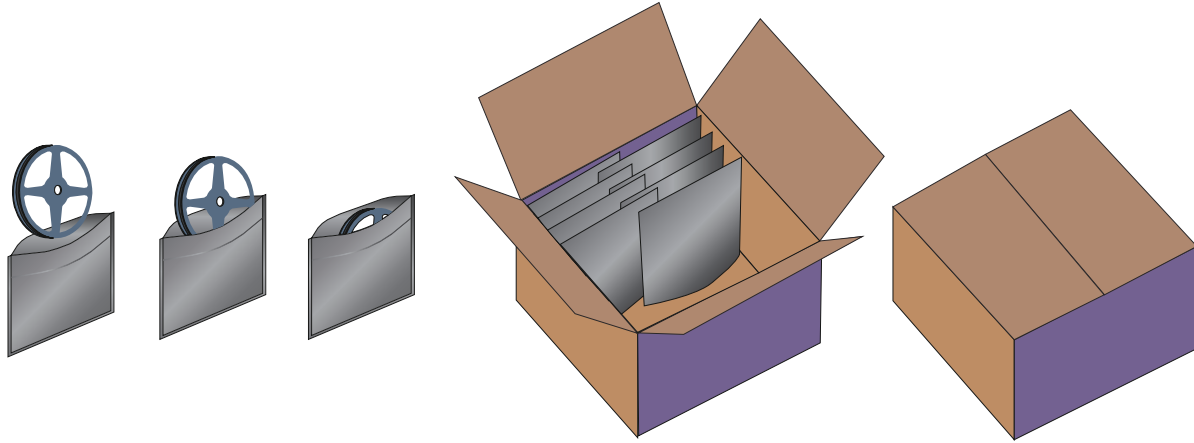
b: use an angle greater or equal to 60 degrees when there is an LED chip on the corner while placing the strip in a concave position (Angle ≥ 60 degree)

c: use an angle greater or equal to 60 degrees when there is an LED chip on the corner while placing the strip in a concave position (Angle ≥ 60 degree) In the convex position the angle should not reach 90 degrees. See above diagram.

Maximum Flexibility Precaution



Product packaging



Model	Part number	box(pcs)	Net Weight/box	Gross Weight/box
1	AB-FC012UA-19700-XA2	10pcs		