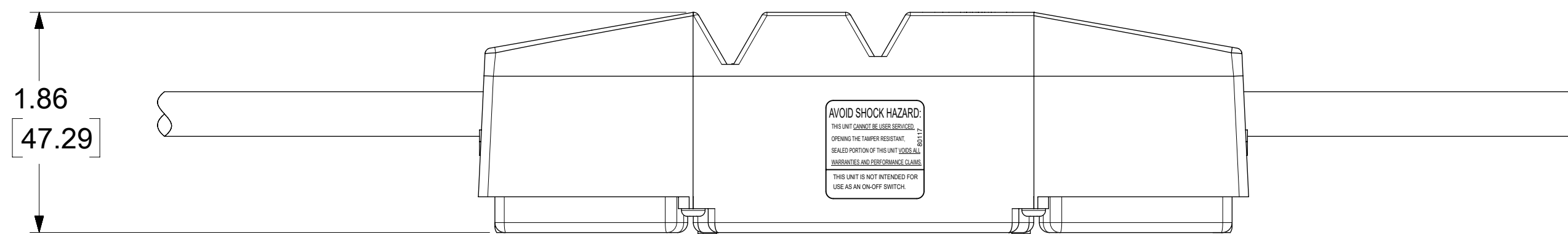
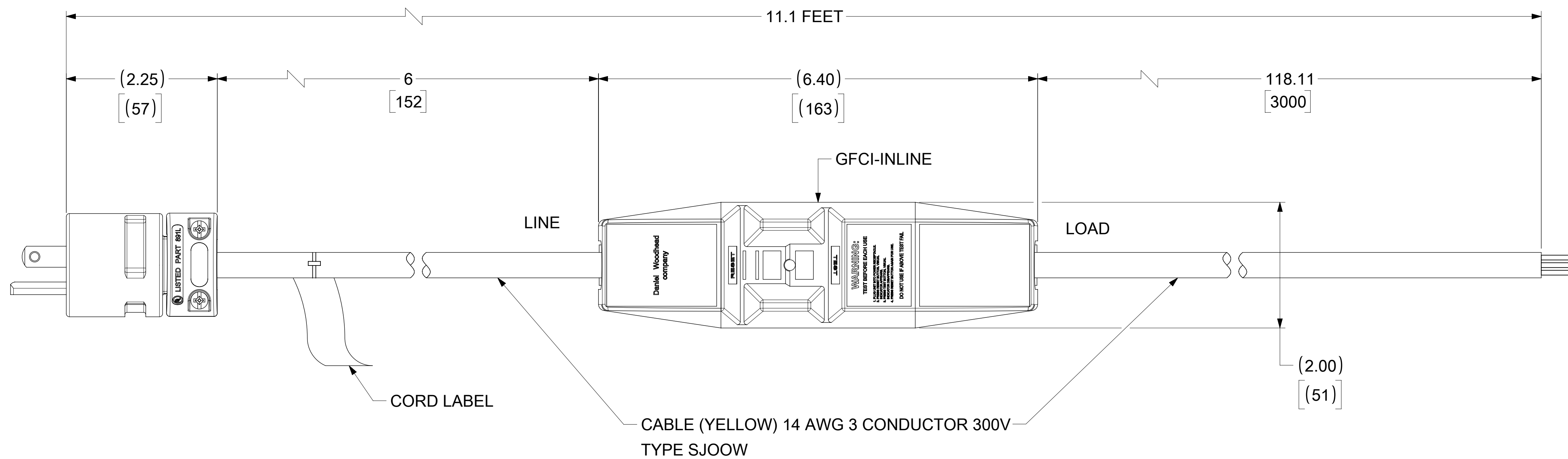


NEMA 5-15; 15A/125V  
PRIMARY PLUG



**TECHNICAL**

AGENCY APPROVAL:	cULus
RATED SUPPLY VOLTAGE:	120VAC
RATED CURRENT:	15A
RESET TYPE:	MANUAL
OPERATING FREQUENCY:	60 Hz
TYPE:	CLASS A
GROUND TRIP CURRENT:	4-6 mA
OVERLOAD CURRENT:	90 AMP
INSULATION VOLTAGE:	1,500 VRMS - 1 MINUTE
ENDURANCE OPERATIONS:	3000 OPERATIONS

MATERIAL NUMBER	ENGINEERING NUMBER
1301530220	130153-0220

FUNCTIONAL SYMBOLS FA = 0 FC = 0 FP = 0	THIS DRAWING CONTAINS INFORMATION THAT IS PROPRIETARY TO MOLEX ELECTRONIC TECHNOLOGIES, LLC AND SHOULD NOT BE USED WITHOUT WRITTEN PERMISSION		CURRENT REV DESC: MIGRATION TO ECTR/NX	
	DIMENSION UNITS INCH/MM	SCALE NTS	EC NO: 693149	
DIVISIONAL SYMBOLS	GENERAL TOLERANCES (UNLESS SPECIFIED)			
		MM	INCH	DRWN: PPURSUTANDEL 2022/01/25
	4 PLACES	±	±	CHK'D: DNGUYEN62 2022/01/26
	3 PLACES	±	± 0.005	APPR: HKNEELAND 2022/04/28
	2 PLACES	±	± 0.01	INITIAL REVISION:
1 PLACE	±	± 0.02	DRWN: TVICKERS 2009/08/18	
0 PLACES	±	±	APPR: DTITUS 2009/08/20	
ANGULAR TOL ± °		DRAFT WHERE APPLICABLE MUST REMAIN WITHIN DIMENSIONS		
THIRD ANGLE PROJECTION		DRAWING	SERIES	MATERIAL NUMBER
DRAFT WHERE APPLICABLE MUST REMAIN WITHIN DIMENSIONS		D-SIZE	130153	SEE TABLE
		CUSTOMER	GENERAL MARKET	
		DOCUMENT NUMBER	DOC TYPE	DOC PART
		SD-130153-004	PSD	001
		REVISION	A1	
		SHEET NUMBER		
		1 OF 1		

**molex**

SUPER SAFEWAY CORDSET  
PLUG AND CONNECTOR W/3M SECONDARY

PRODUCT CUSTOMER DRAWING