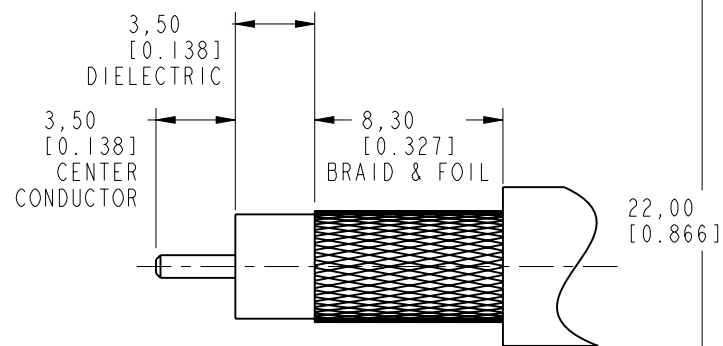


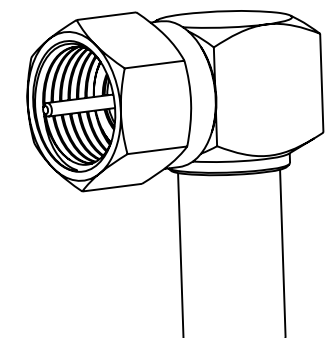
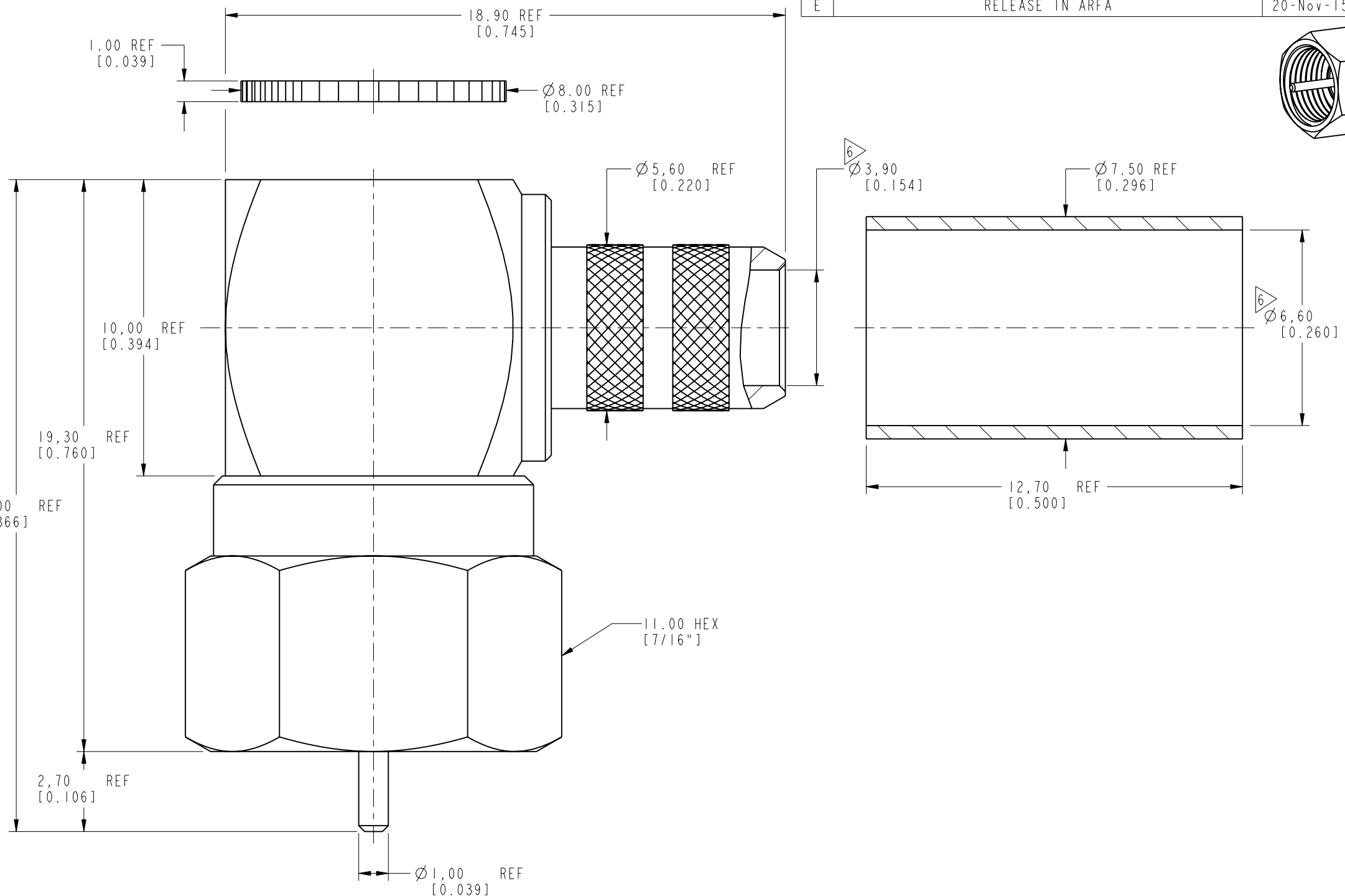
NOTES:

- MATERIALS AND FINISHES:
 BODY, HOUSING, COVER & SHELL - BRASS, NICKEL PLATING
 CONTACT - BRASS, GOLD PLATING
 INSULATOR - PTFE, NATURAL
 FERRULE - BRASS, NICKEL PLATING
- ELECTRICAL:
 A. IMPEDANCE: 75 OHM
- MECHANICAL:
 A. DURABILITY: 500 CYCLES MIN.
 B. TEMPERATURE RANGE: -65° C TO +165° C
- PACKAGING:
 A. QUANTITY: SINGLE PACK
 B. MARKING: BAG TO BE MARKED
 "AMPHENOL RF, 222153, AND DATE CODE"
- CABLE ASSEMBLY INSTRUCTIONS:
 A. TRIM CABLE AS SHOWN.
 B. SOLDER CONTACT TO CABLE CENTER CONDUCTOR.
 C. CRIMP FERRULE WITH 6.48 [0.255"] HEX.

6 SHOWS CABLE ENTRY DIMENSIONS.



RECOMMENDED CABLE STRIPPING DIMENSIONS



SCALE 1.800

THIRD ANGLE PROJ.

REVISIONS

REV	DESCRIPTION	DATE	ECO	APPR
--	RELEASE TO MFG	--	--	
C	CENTER CONTACT LENGTH UPDATED	22-Feb-09	--	
D	REDWAN IN PRO-E & Ø1.00 WAS Ø0.80	7/17/15	50612	AAP
E	RELEASE IN ARFA	20-Nov-15	50790	SH

CUSTOMER OUTLINE DRAWING

ALL OTHER SHEETS ARE FOR INTERNAL USE ONLY

UNLESS OTHERWISE SPECIFIED, DIMENSIONS ARE IN METRIC AND TOLERANCES ARE:
 <0.5mm ±0.05mm 0.5 - 6mm ±0.1mm 6 - 30mm ±0.2mm 30 - 120mm ±0.3mm ANGLES ±1°

NOTICE - These drawings, specifications, or other data (1) are, and remain the property of Amphenol corp. (2) must be returned upon request; and (3) are confidential and not to be disclosed to any person other than those to whom they are given by Amphenol Corp. the furnishing of these drawings, specifications, or other data by Amphenol Corp., or to any other person to anyone for any purpose is not to be regarded by implication or otherwise in any manner licensing, granting rights to permitting such holder or any other person to manufacture, use or sell any product, process or design, patented or otherwise, that may in any way be related to or disclosed by said drawings, specifications, or other data.

MATERIAL	SEE NOTES
REFERENCE	EAR #6377
CONFIGURATION LEVEL:	In Work
FINISH	

DRAWN	A ARUN PRABU	DATE	16-Jun-15
ENGINEER	K.CAPOZZI	DATE	16-Jun-15
APPROVED	K.CAPOZZI	DATE	7/17/15
CAD FILE			

TITLE		F RA CRIMP PLUG FOR RG-59/U CABLE	
SCALE:	6.3:1.0	SHEET	2 OF 2
DWG SIZE	B	REV	E

Amphenol RF	
www.amphenolrf.com	
DRAWING NO.222153	
ITEM NO.222153	
PART NO.222153	