

ITEM	PART#	DESCRIPTION	QTY	UOM
A	9508040	KK 156 Crimp Housing 04 Ckt	1	PC
B	8500105	KK 156 TERMINAL CRIMP 18-24 AWG TIN	4	PC
C		PAPER PRINTED PAPER WHITE	1	PC

FROM	TO	DESCRIPTION	COLOR
A1	--	1X18AWG MPPE BK UL11028	BLACK
A2	--	1X18AWG MPPE BK UL11028	BLACK
A3	--	1X18AWG MPPE BK UL11028	BLACK
A4	--	1X18AWG MPPE BK UL11028	BLACK

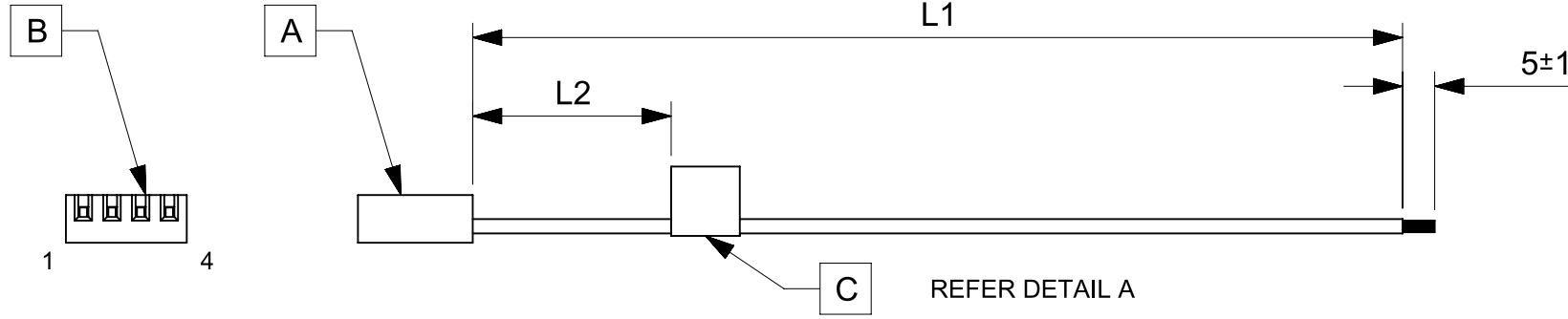


TABLE			
PART NUMBER	L1	L2 (REF)	TITLE
2196651042	150±4	50	KK 3.96 R-S 4ckt 150mm disc Sn
2196651043	300±4	50	KK 3.96 R-S 4ckt 300mm disc Sn
2196651044	600±6	50	KK 3.96 R-S 4ckt 600mm disc Sn

- NOTES**
- Connector view shown is from mating side.
 - Label text must be 2mm max. in height with Arial font.
 - Label must be wrapped in Flag type on a single cable.
 - Free ends must be stripped, twisted & tinned. The length of tinning is 5±1mm. Tinning Dia must be 1.6 mm Max.

MOLEX P/N
 MOLEX
 BATCH WK/YR
 DETAIL A

REVISION			
DATE	REV	DESCRIPTION	CHANGER
2021/12/27	A	INITIAL RELEASE	SAIKIG

FUNCTIONAL SYMBOLS	THIS DRAWING CONTAINS INFORMATION THAT IS PROPRIETARY TO MOLEX ELECTRONIC TECHNOLOGIES, LLC AND SHOULD NOT BE USED WITHOUT WRITTEN PERMISSION		
$\frac{F}{A} = 0$	DIMENSION UNITS	SCALE	CURRENT REV DESC:
$\frac{F}{E} = 0$	mm	NTS	EC NO: 691733 DRWN: SAIKIG 2021/12/29 CHK'D: MNARAYAN01 2022/01/19 APPR: MNARAYAN01 2022/01/19 INITIAL REVISION: DRWN: SAIKIG 2021/12/29 APPR: MNARAYAN01 2022/01/19
$\frac{F}{P} = 0$	GENERAL TOLERANCES (UNLESS SPECIFIED)		
DIVISIONAL SYMBOLS	ANGULAR TOL	± °	
	4 PLACES	±	
	3 PLACES	±	
	2 PLACES	±	
	1 PLACE	±	
	0 PLACES	±	
DRAFT WHERE APPLICABLE MUST REMAIN WITHIN DIMENSIONS		THIRD ANGLE PROJECTION	DRAWING
			SERIES
		A4-SIZE	219665
		MATERIAL NUMBER	CUSTOMER
		SEE TABLE	GENERAL MARKET
		DOCUMENT NUMBER	DOC TYPE DOC PART REVISION
		2196651042	PSD 000 A
		SHEET NUMBER	1 OF 1