

4

3

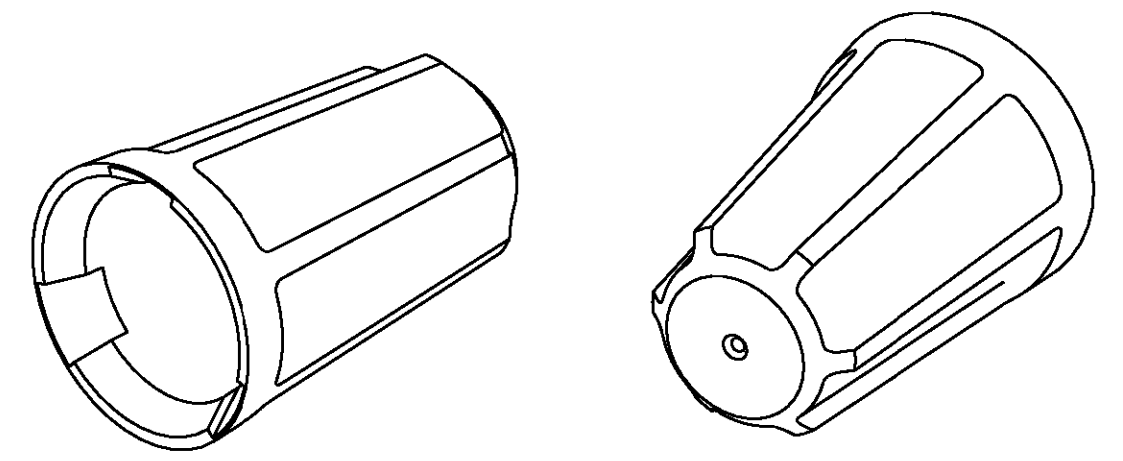
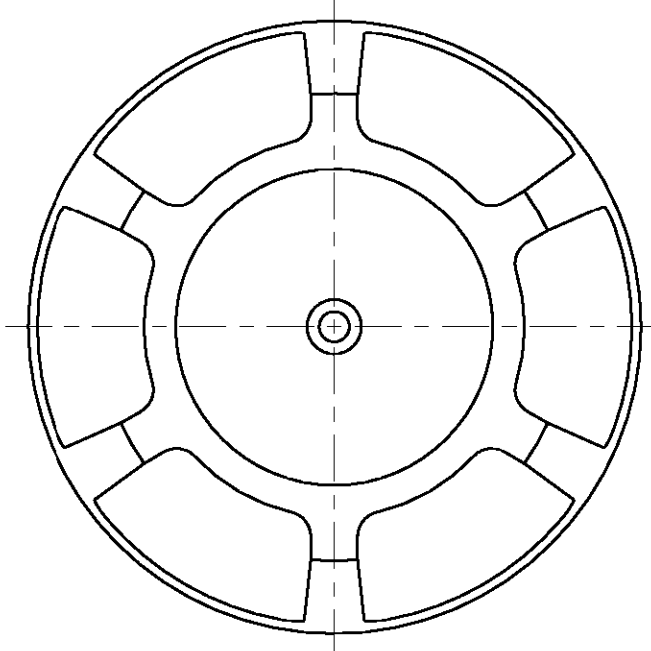
2

1

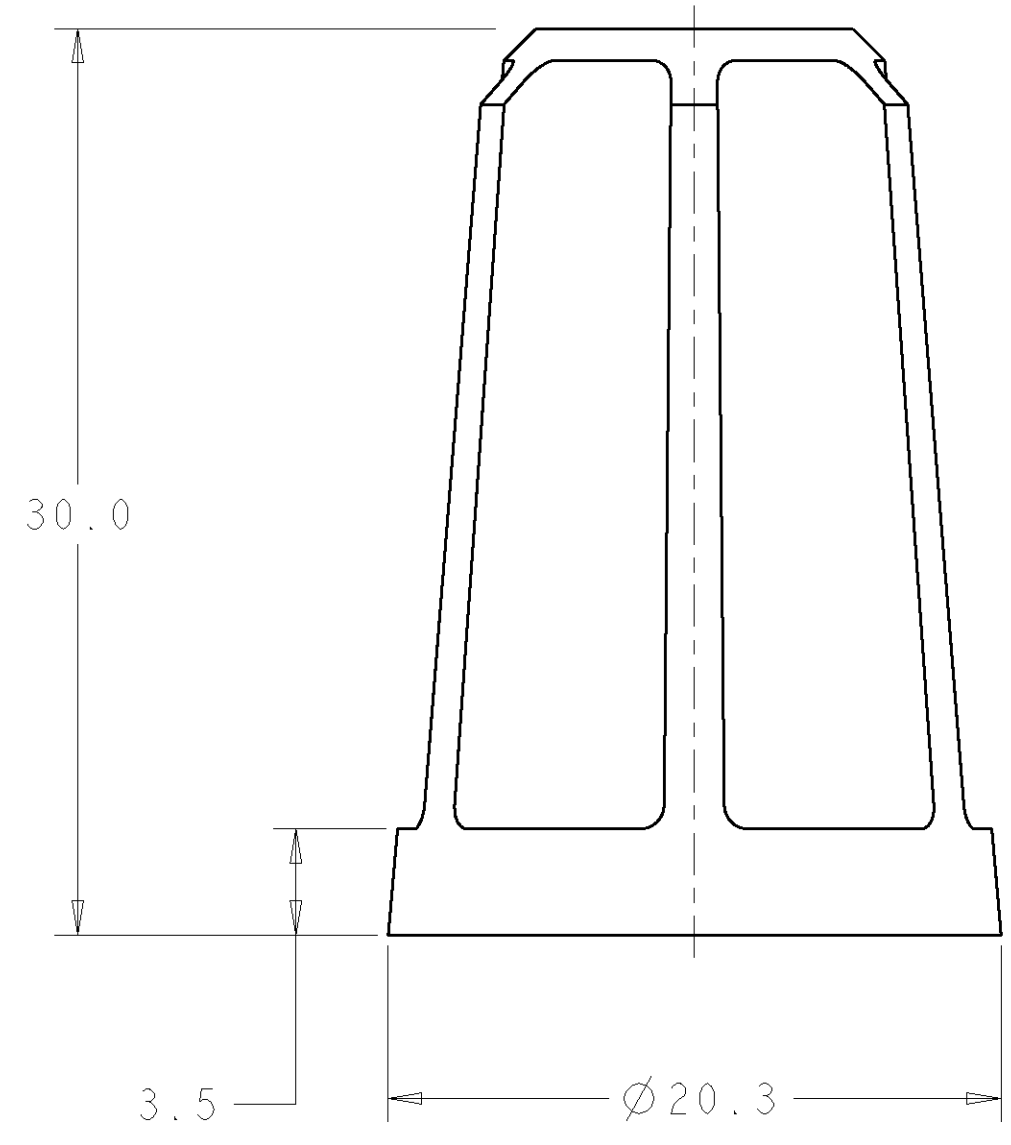
THIS DRAWING IS UNPUBLISHED.      RELEASED FOR PUBLICATION      20

© COPYRIGHT 20      BY TYCO ELECTRONICS CORPORATION. ALL RIGHTS RESERVED.

LOC	DIST	REVISIONS					
		P	LTR	DESCRIPTION	DATE	DWN	APVD
AD	00		A	ECO-07-010931	14MAY2007	RB	DR



SCALE 2:1



⚠ MATERIAL: THERMOPLASTIC  
COLOR: GRAY

1954571-1  
PART NO.

<small>THIS DRAWING IS A CONTROLLED DOCUMENT FOR TYCO ELECTRONICS CORPORATION IT IS SUBJECT TO CHANGE AND THE CONTROLLING ENGINEERING ORGANIZATION SHOULD BE CONTACTED FOR THE LATEST REVISION.</small>		DWN 05DEC2006 MOHAN CHK 05DEC2006 L. BREKOSKY APVD - PRODUCT SPEC - APPLICATION SPEC - WEIGHT - CUSTOMER DRAWING	<b>Tyco Electronics</b> Tyco Electronics Harrisburg, PA 17105-3608 NAME <b>FRONT NUT WRENCH          PANEL MOUNT RECEPTACLE</b> SIZE A2 CAGE CODE 00779 DRAWING NO. 1954571 RESTRICTED TO - SCALE 4:1 SHEET 1 OF 1 REV A
DIMENSIONS: mm 	TOLERANCES UNLESS OTHERWISE SPECIFIED: 0 PLC ± 1 PLC ±0.13 2 PLC ± 3 PLC ± 4 PLC ± ANGLES ±° FINISH -		