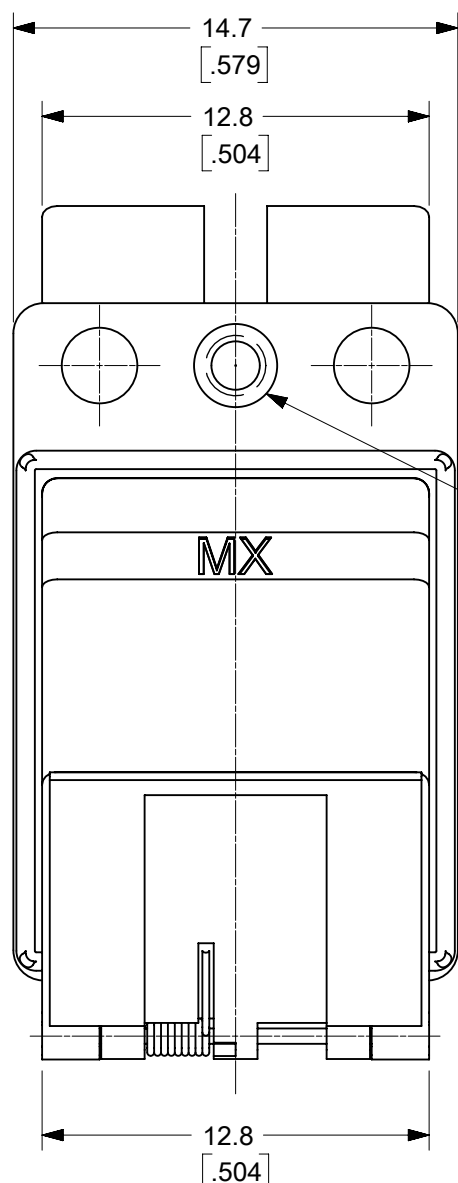
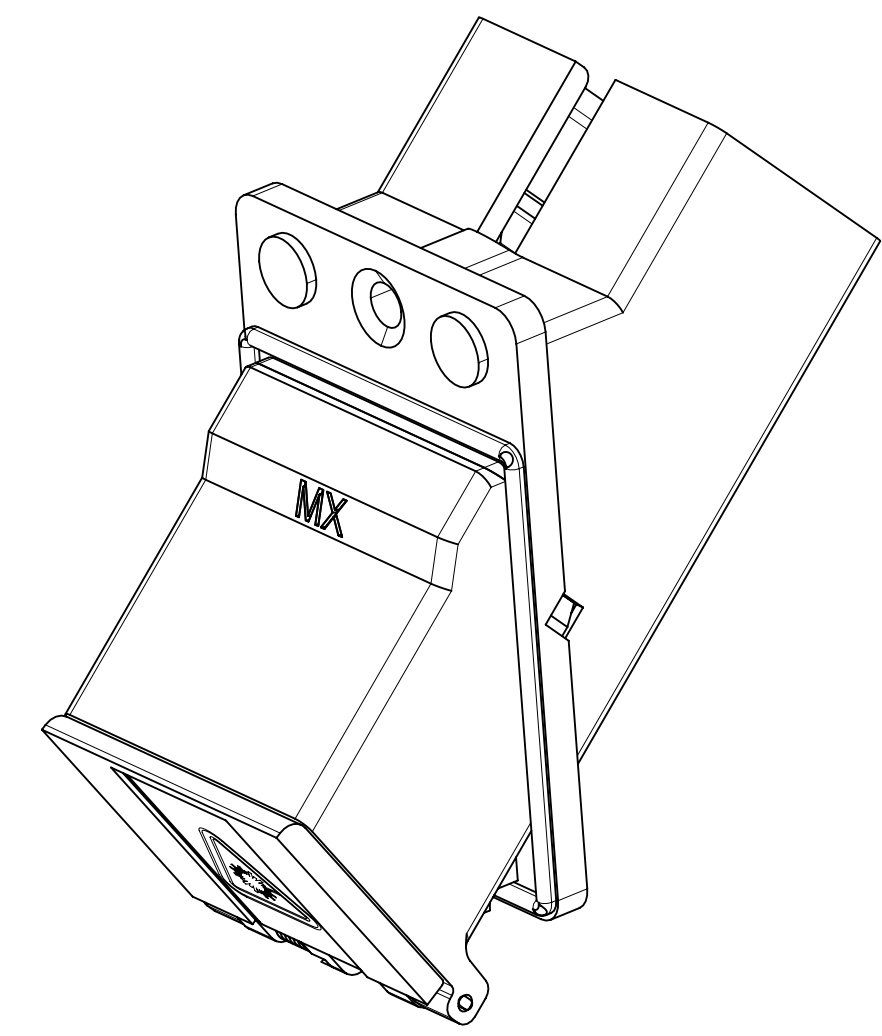
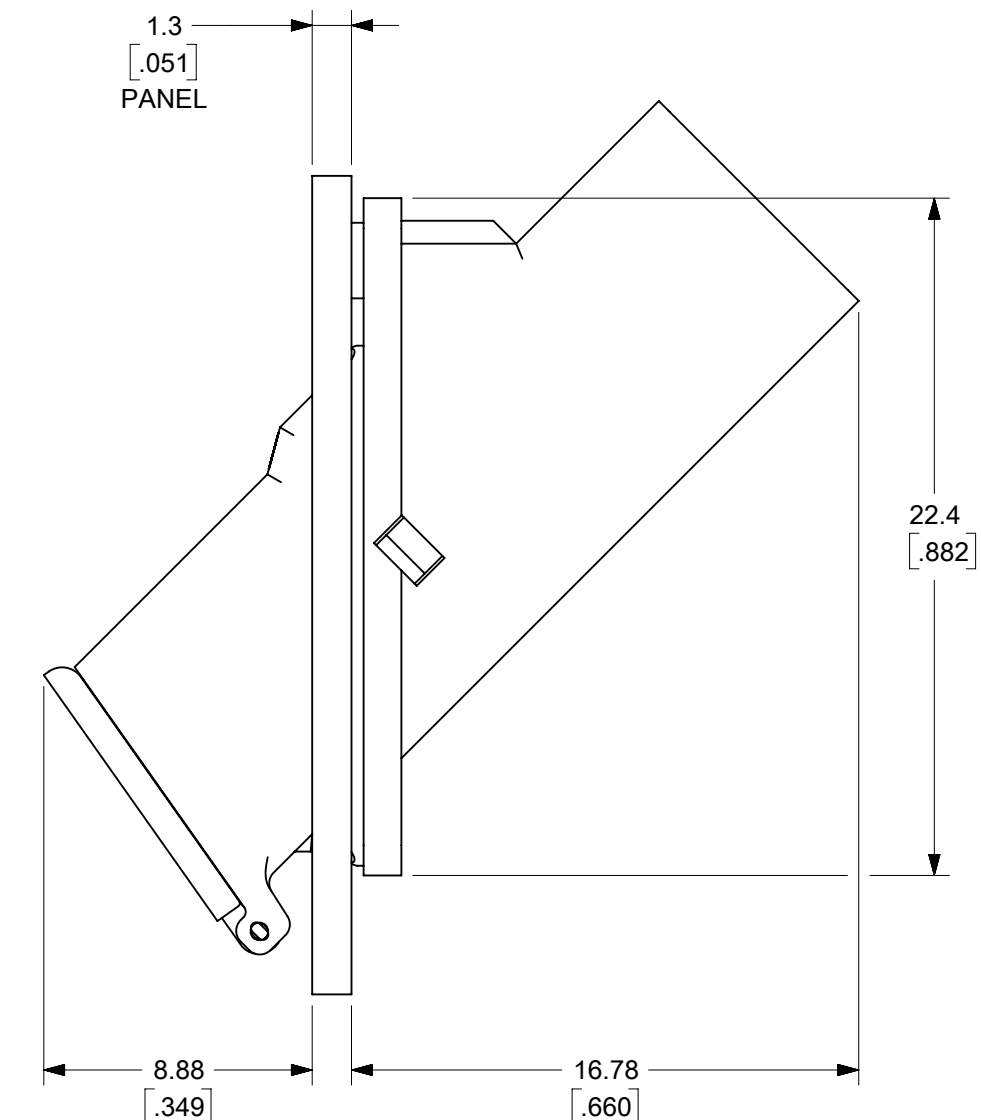
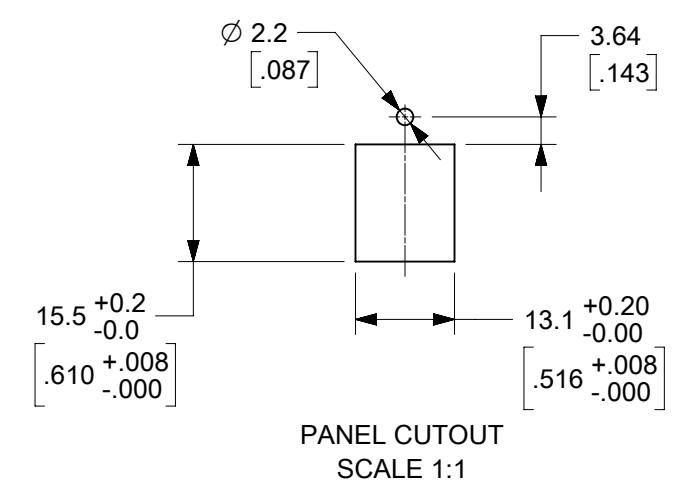


ADAPTER P/N	ADAPTER TYPE	HOUSING COLOR
1061164500	SINGLE MODE	BLUE



M2x0.4  
4mm LONG FLATHEAD  
SCREW RECOMMENDED

NOTE:  
ALL DIMENSIONS ARE FOR REFERENCE ONLY



THIS DRAWING CONTAINS INFORMATION THAT IS PROPRIETARY TO MOLEX ELECTRONIC TECHNOLOGIES, LLC AND SHOULD NOT BE USED WITHOUT WRITTEN PERMISSION									
DIMENSION UNITS		SCALE		CURRENT REV DESC: OBSOLETE PART NUMBER				<b>molex</b>	
MM/IN		4:1							
GENERAL TOLERANCES (UNLESS SPECIFIED)				EC NO: 655721		2021/01/13		SC 45 DEGREE EMI ADAPTER SCREW MOUNT VERSION	
4 PLACES		±		DRWN: RPRABHUM		2021/03/15		PRODUCT CUSTOMER DRAWING	
3 PLACES		±		CHK'D: GGA		2021/03/15		DOCUMENT NUMBER	
2 PLACES		±		APPR: GGA		2021/03/15		SD-106116-4500	
1 PLACE		±		INITIAL REVISION:				DOC TYPE	
0 PLACES		±		DRWN: SERNST		2006/06/23		DOC PART	
ANGULAR TOL		± 1.0 °		APPR: SMIGO		2006/07/12		REVISION	
DRAFT WHERE APPLICABLE MUST REMAIN WITHIN DIMENSIONS				THIRD ANGLE PROJECTION		DRAWING		SERIES	
				B-SIZE		106116		MATERIAL NUMBER	
						SEE TABLE		CUSTOMER	
						GENERAL MARKET		SHEET NUMBER	
						1 OF 1			

DOCUMENT STATUS	P1	RELEASE DATE	2021/03/15	11:28:42
-----------------	----	--------------	------------	----------