

SERIES: TS10 | **DESCRIPTION:** TACTILE SWITCH

FEATURES

- blue actuator
- normally closed switch
- surface mount


SPECIFICATIONS

| parameter | conditions/description | min | typ | max | units |
|-----------------------|--|------|--------|------|--------|
| rated voltage | | 1 | | 12 | Vdc |
| rated current | | 0.01 | | 50 | mA |
| withstanding voltage | for 1 minute | | 250 | | Vac |
| contact resistance | applying load of 2 times operating force at 5 Vdc, 10 mA | | | 100 | mΩ |
| insulation resistance | at 500 Vdc for 1 minute | 100 | | | MΩ |
| operating force | see force table | | | | |
| actuator travel | | 0.15 | 0.25 | 0.35 | mm |
| operating temperature | | -40 | | 85 | °C |
| storage temperature | | -40 | | 85 | °C |
| life | at 5 Vdc, 10 mA, 2~3 cycles/second, 375 gf | | 50,000 | | cycles |
| vibration | 10~55~10 Hz, 1.5 mm amplitude, 2 hours on each XYZ | | | | |
| flammability rating | see material table | | | | |
| RoHS | yes | | | | |

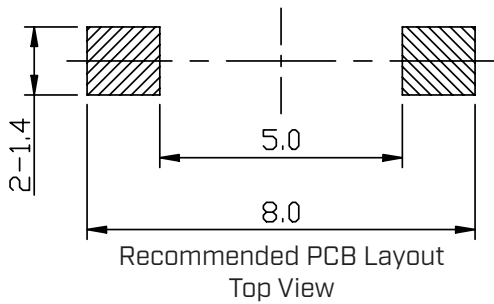
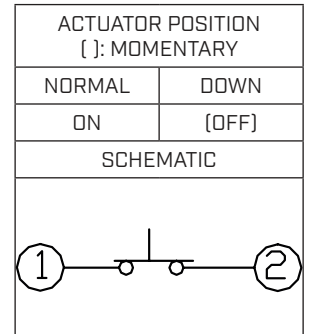
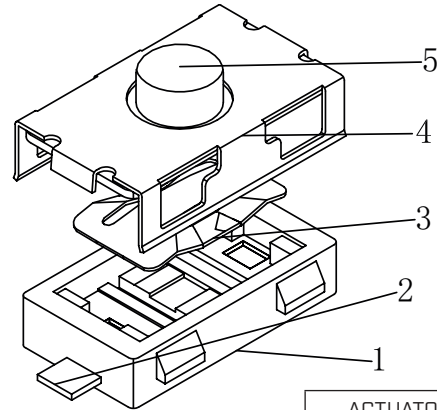
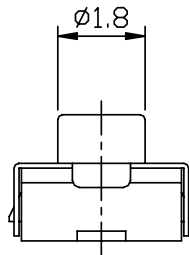
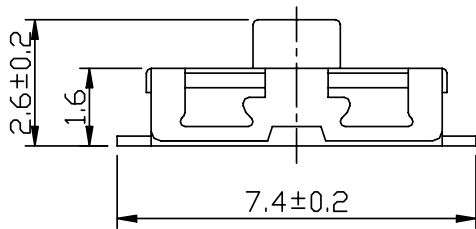
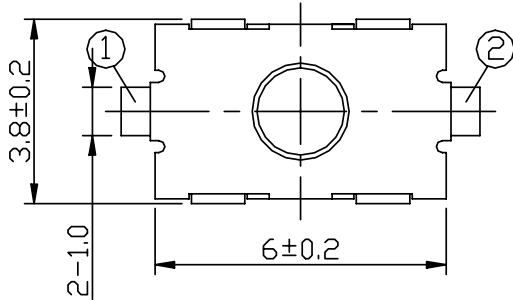
PART NUMBER KEY
TS10 - 63 - 26 - BE - 250 - SMT - TR

Base Number

MECHANICAL DRAWING

units: mm
 tolerance: ± 0.2 mm
 unless otherwise noted

| ITEM | DESCRIPTION | MATERIAL | PLATING/COLOR |
|------|-------------|-----------------|---------------|
| 1 | base | LCP (UL94V-0) | black |
| 2 | terminal | brass | silver |
| 3 | contacts | stainless steel | silver |
| 4 | cover | stainless steel | |
| 5 | stem | silica gel | blue |

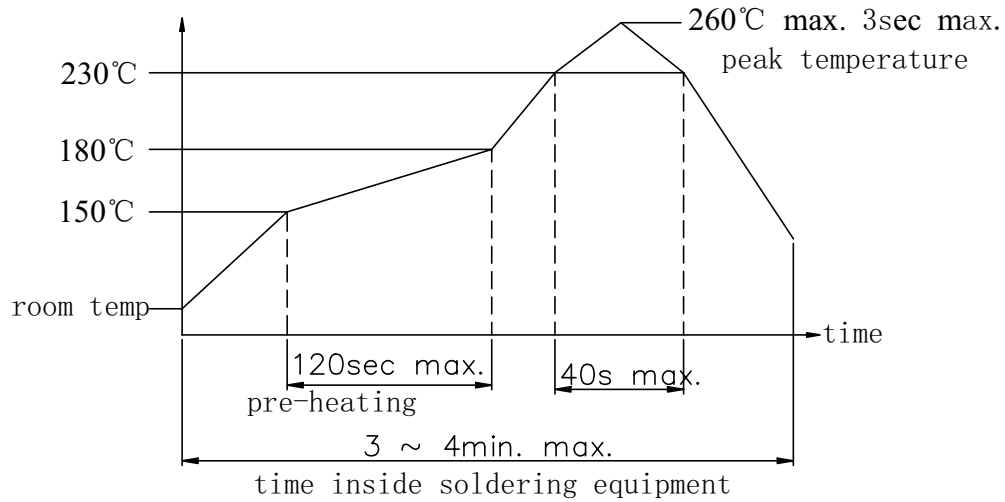


| Operating Force Table | | |
|-----------------------|-----------------|------------------|
| Model | Press Force [N] | Return Force [N] |
| 250 | 2.5 \pm 0.50 | >0.40 |

SOLDERABILITY

| parameter | conditions/description | min | typ | max | units |
|-------------------------------|------------------------|-----|-----|-----|-------|
| hand soldering | for maximum 3 seconds | | | 350 | °C |
| reflow soldering ¹ | see reflow profile | | | 260 | °C |

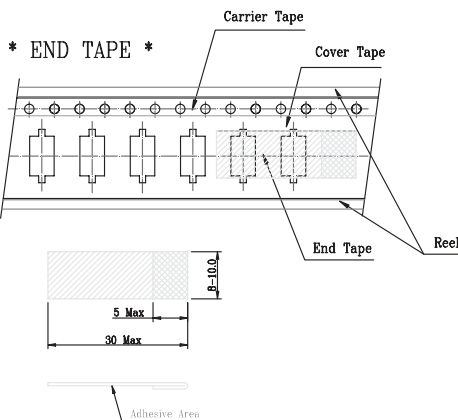
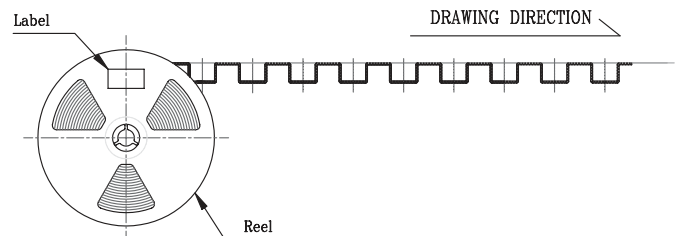
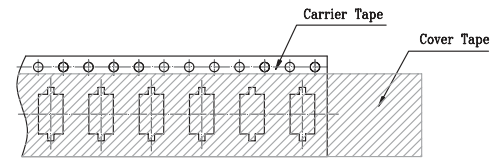
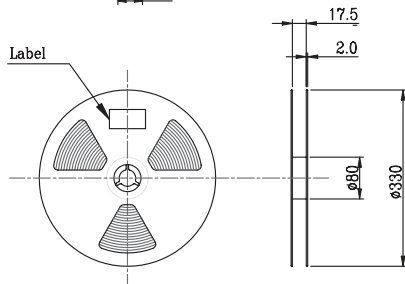
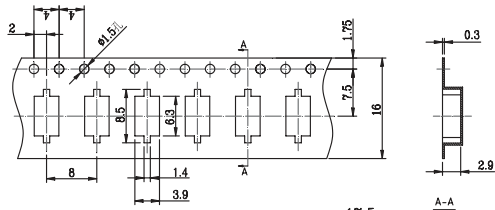
Notes: 1. Do not exceed 2 reflow cycles.



PACKAGING

units: mm

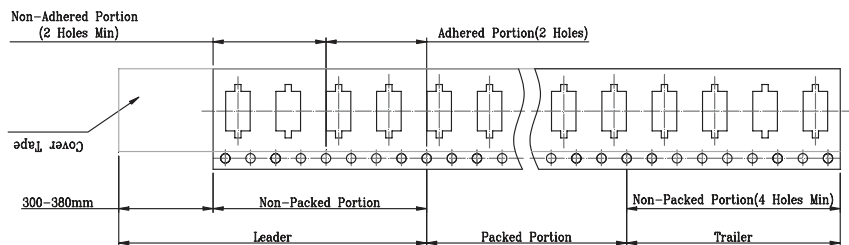
Reel QTY: 3,000 pcs per reel



End

* THE SPECIFICATION FOR PACKAGING *

Start



REVISION HISTORY

| rev. | description | date |
|------|------------------------------|------------|
| 1.0 | initial release | 11/23/2021 |
| 1.01 | logo, datasheet style update | 08/05/2022 |

The revision history provided is for informational purposes only and is believed to be accurate.



CUI Devices offers a one (1) year limited warranty. Complete warranty information is listed on our website.

CUI Devices reserves the right to make changes to the product at any time without notice. Information provided by CUI Devices is believed to be accurate and reliable. However, no responsibility is assumed by CUI Devices for its use, nor for any infringements of patents or other rights of third parties which may result from its use.

CUI Devices products are not authorized or warranted for use as critical components in equipment that requires an extremely high level of reliability. A critical component is any component of a life support device or system whose failure to perform can be reasonably expected to cause the failure of the life support device or system, or to affect its safety or effectiveness.

cuidevices.com