



PART  
NAME

# FLOATING INTERNAL MOUNTING PANEL

PART  
No.

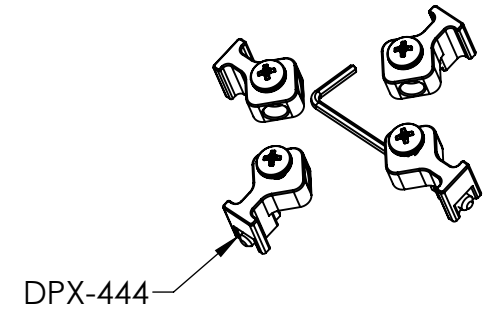
DPX-287064

REV.  
DATE

2/20/21

## MATERIAL:

1. ALUMINUM (.06 THK.) (1.524mm THK.)
2. ALL DIMENSION HAVE A  $\pm .015$  TOLERANCE UNLESS OTHERWISE SPECIFIED
3. FITS DPH-28706, DPS-28706
4. SUPPLIED WITH DPX-444 KIT (INCLUDES 4-#10-32 X.25" MACHINE SCREWS)



DPX-444

