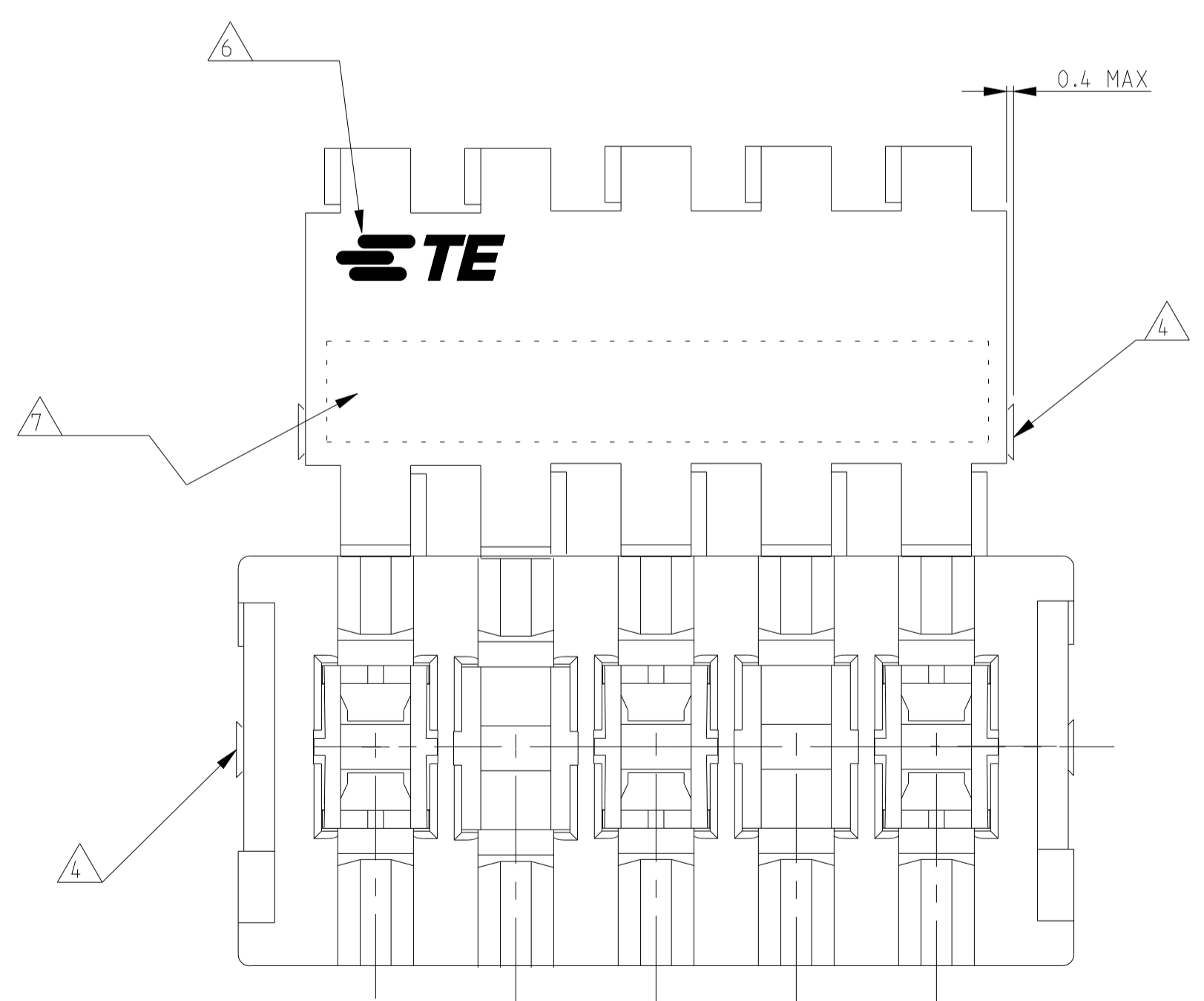
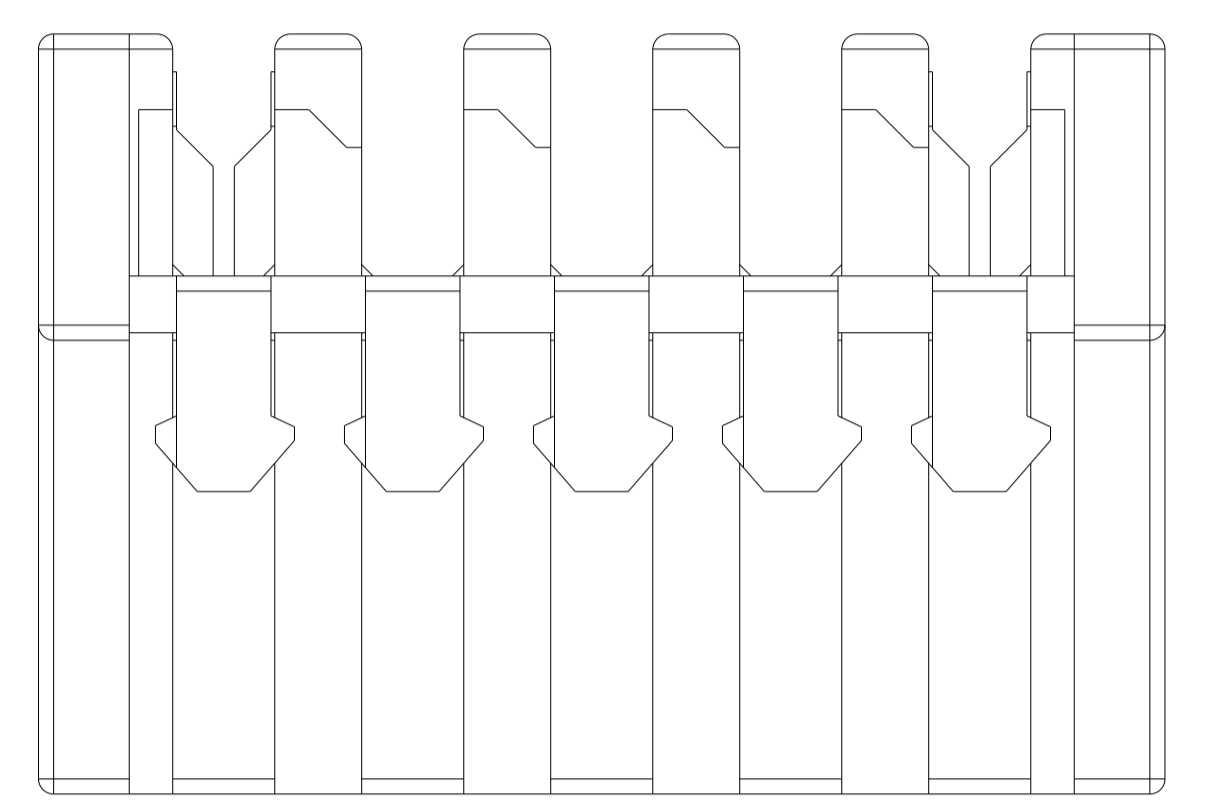
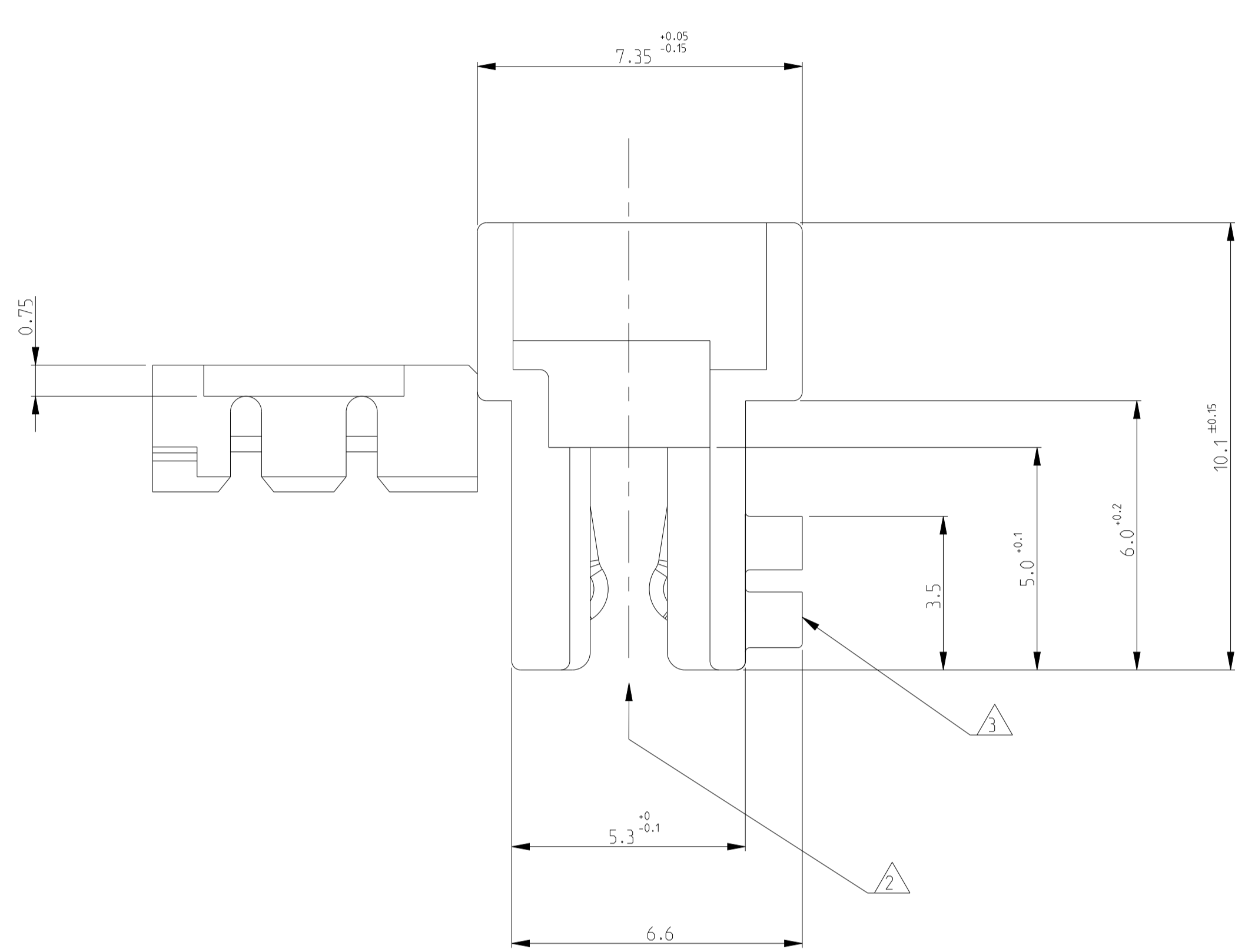
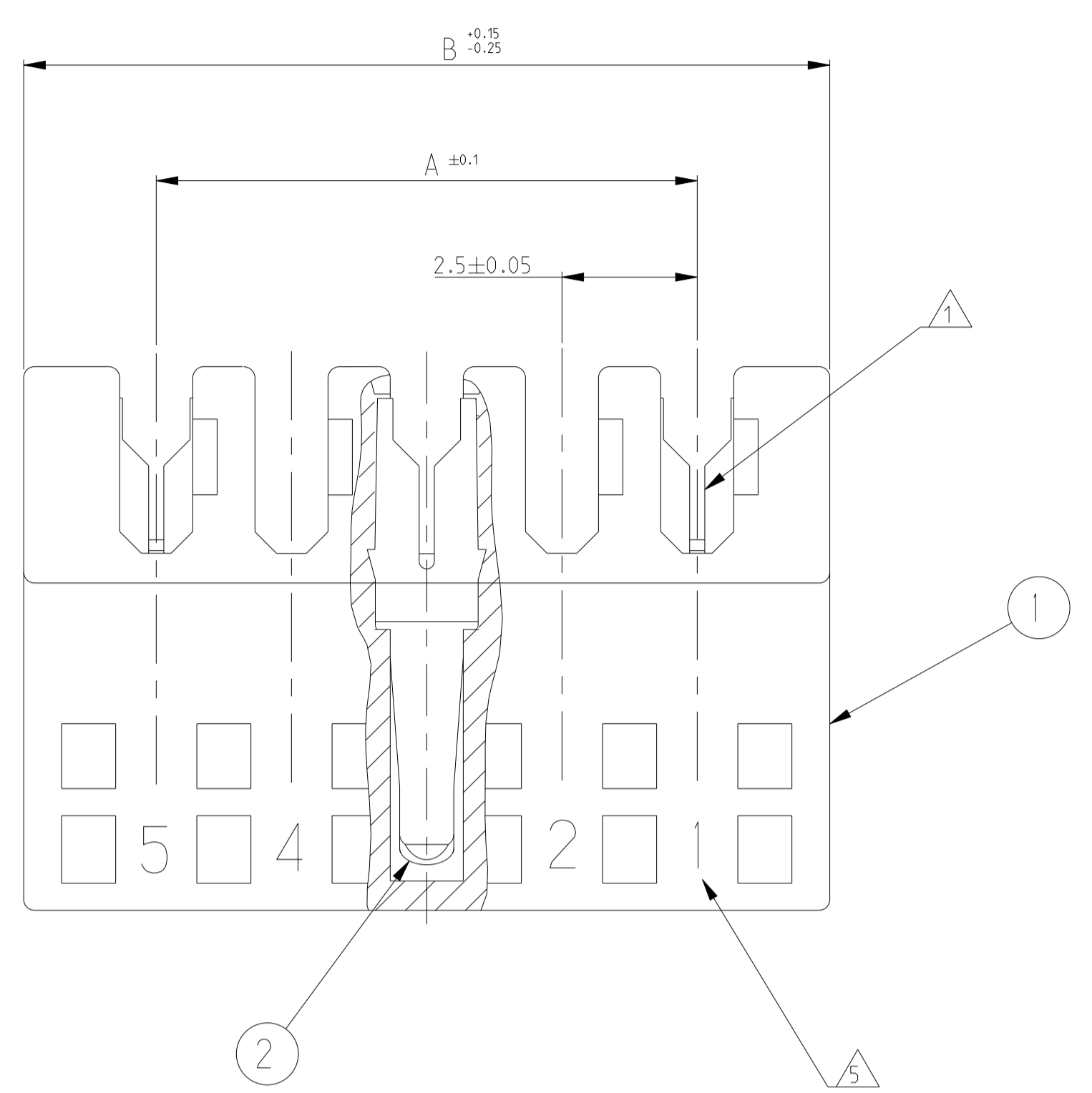
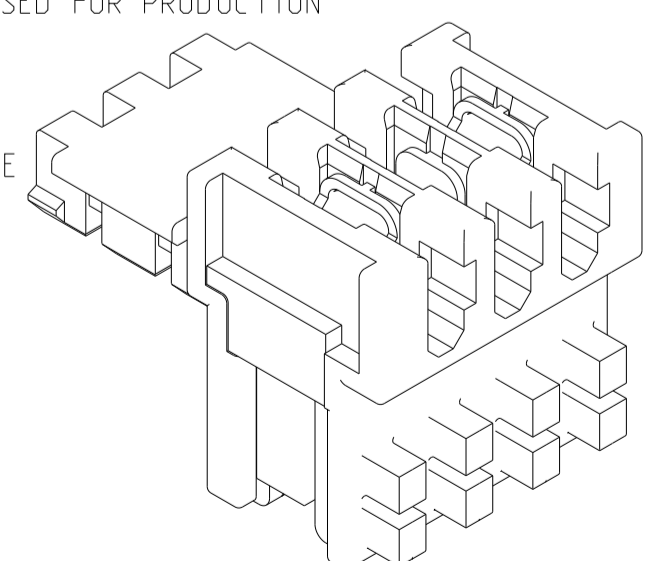


REVISONS		DATE	DWN	APVD
D1	ECR-22-126910	21JAN2022	DC	FL
D2	ECR-22-128794	10FEB2022	DC	FL
D3	ECR-22-134224	04APR2022	DC	FL
D4	ECR-22-162225	16JAN2023	DC	FL



- 1 WIRE RANGE : STRANDED 0.22-0.35 mm² (INS. DIA. 1.30±0.1)
- 2 MATING PART: TAB HEADER P/Ns 1971921, 1971922 AND EQUIVALENT;
PCB FRAME P/N 964575 (PCB THK 1.5±0.14 COPPER CLADDING INCLUDED)
SEE PRODUCT SPEC. 108-18056 FOR FRAME APPLICATION
- 3 KEYING RIBS TO BE REMOVED BY TERMINATION MACHINE
- 4 CUT OFF DIMENSION DUE TO PRODUCTION PROCESS
- 5 CIRCUIT No. IDENTIFICATION
- 6 TE TRADEMARK (OPTIONAL POSITION)
- 7 TAMPOGRAPHIC COLOUR CODE AREA
(P/Ns IDENTIFICATION BEFORE CRIMPING)
- 8 -
- 9 PBT GF
- 10 PA GF, UL94-V0 & GWEPT 750 °C NO FLAME, NATURAL
- 11 PRELIMINARY PART, NOT YET RELEASED FOR PRODUCTION
- 12 ALTERNATIVE RESIN PBT GF
- 13 PART RELEASED WITHOUT EXTENSIVE TERMINATION TESTS



3D VIEW FOR REF. ONLY
 3 POS. PN 0-284931-3 AS SHOWN
 SCALE 5:1

COLOUR CODE	CONTACT LOADING	HSG POS.	KEYING	DIM.A	DIM.B	TE P/N	TE P/N	TE P/N
BLUE	SELECTIVELY 1,2,3,4,5,6,7,8,9,10,11,13	13	2/3	30.0	34.9	1-284931-3	2311506-3	1-2402729-3
-	SELECTIVELY 1,3,5,7,9,10,11	11	9/10	25.0	29.9	2-284931-1	-	2-2402729-1
BLUE	SELECTIVELY 1,3,5,7,9,11	11	-	25.0	29.9	1-284931-1	2-2311506-1	1-2402729-1
BLUE	SELECTIVELY 1,3,5,7,8,10	10	-	22.5	27.4	1-284931-0	1-2311505-0	1-2402729-0
GREEN	SELECTIVELY 1,3,4,6,8,9	9	-	20.0	24.9	2-284931-9	3-2311505-9	2-2402729-9
BLUE	SELECTIVELY 1,2,4,6,7,9	9	-	20.0	24.9	0-284931-9	2-2311505-9	2402729-9
GREEN	SELECTIVELY 1,3,4,6,7,8	8	-	17.5	22.4	2-284931-8	1-2311505-8	2-2402729-8
BLUE	SELECTIVELY 1,2,3,5,6,8	8	-	17.5	22.4	0-284931-8	2311505-8	2402729-8
GREEN	SELECTIVELY 1,3,5,6,7	7	-	15.0	19.9	2-284931-7	2-2311505-7	2-2402729-7
BLUE	SELECTIVELY 1,3,5,7	7	-	15.0	19.9	0-284931-7	1-2311505-7	2402729-7
BLUE	SELECTIVELY 1,2,4,6	6	-	12.5	17.4	1-284931-6	2-2311505-6	1-2402729-6
RED	SELECTIVELY 1,3,4,6	6	-	12.5	17.4	0-284931-6	1-2311505-6	2402729-6
GREEN	SELECTIVELY 1,2,3,5	5	-	10.0	14.9	4-284931-5	4-2311505-5	4-2402729-5
RED	SELECTIVELY 1,5	5	-	10.0	14.9	3-284931-5	3-2311505-5	3-2402729-5
-	SELECTIVELY 1,3,5	5	-	10.0	14.9	2-284931-5	2-2311505-5	2-2402729-5
OBSOLETED BLUE	SELECTIVELY 1,3,5	5	-	10.0	14.9	0-284931-5	-	-
RED	SELECTIVELY 1,3	3	2/3	5.0	9.9	5-284931-3	5-2311505-3	5-2402729-3
ORANGE	SELECTIVELY 1,3	3	-	5.0	9.9	4-284931-3	4-2311505-3	4-2402729-3
GREEN	SELECTIVELY 1,3	3	-	5.0	9.9	3-284931-3	3-2311505-3	3-2402729-3
-	SELECTIVELY 1,3	3	-	5.0	9.9	2-284931-3	2-2311505-3	2-2402729-3
BLUE	SELECTIVELY 1,3	3	-	5.0	9.9	0-284931-3	1-2311505-3	2402729-3

PH. BRONZE, TIN PLATED	IDC RECEPTACLE CONTACT	2	THIS DRAWING IS A CONTROLLED DOCUMENT.	
PBT GLASS FIBER FILLED	FEMALE HOUSING	1	DIMENSIONS: mm	TOLERANCES UNLESS OTHERWISE SPECIFIED:
			0 PLC ±0.2	1 PLC ±0.2
			2 PLC ±0.2	3 PLC ±0.2
			4 PLC ±0.2	ANGLES ±
			FINISH ±	
1	REVISIONE DELL'ASSEMBLATO (REVISION OF EACH ASSY NO)		MATERIAL SEE TABLE	
0.141 PER ASSEMBLATO 0.141 PER ASSY	ELENCO DEI COMPONENTI (PARTS LIST)			