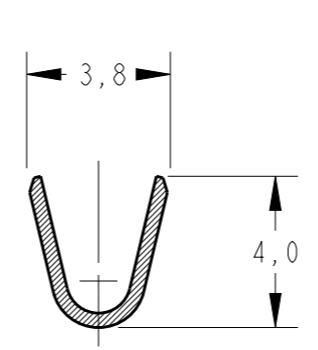
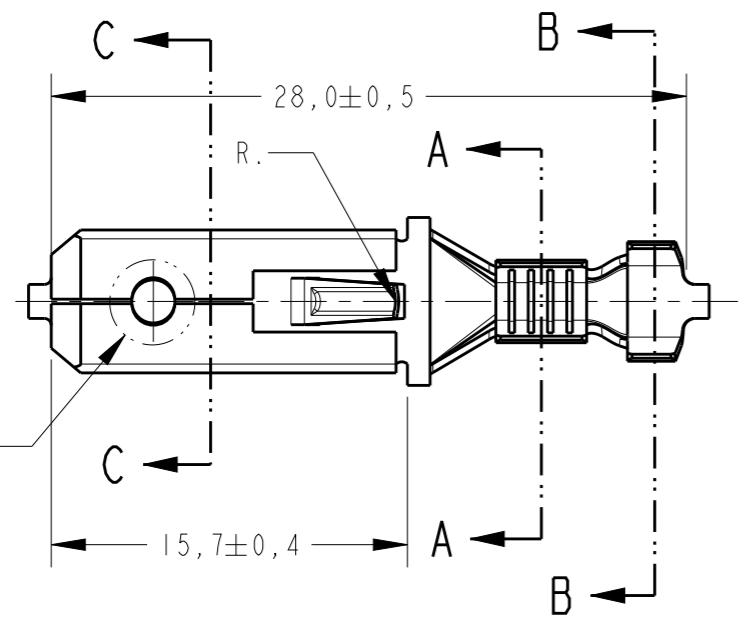
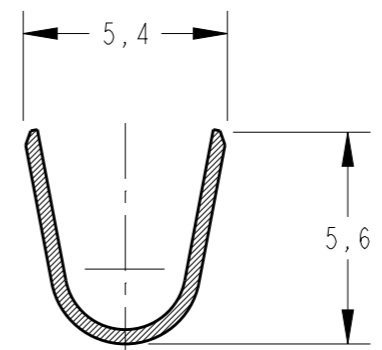


THIS DRAWING IS UNPUBLISHED. RELEASED FOR PUBLICATION 2012
 © COPYRIGHT 2012 BY TE CONNECTIVITY ALL RIGHTS RESERVED.

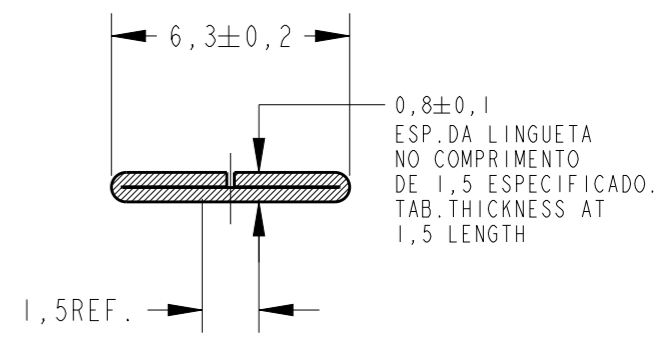
LOC	DIST	REVISIONS			
P	LTR	DESCRIPTION	DATE	DWN	APVD
AP	-				
	G4	REDRAW BY CAD ECO-12-014149	20AUG2012	NCL	DAO
	G5	REVISED BY ECO 16-003723	29JUN2016	HC	WLS



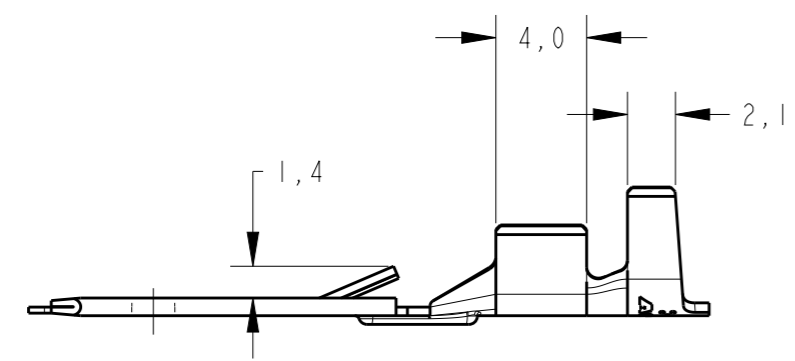
SECTION A-A
SCALE 5:1



SECTION B-B
SCALE 5:1



SECTION C-C
SCALE 5:1



OBSOLETE	880654 - 8	PRATEADO/SILVER PLATED	BRONZE FOSF./PHOSP BRONZE	880636 - 8
OBSOLETE	880654 - 7	PRATEADO/SILVER PLATED	LATÃO / BRASS	880636 - 7
OBSOLETE	880654 - 6	PRÉ ESTANHADO/PRE-TIN	BRONZE FOSF./PHOSP BRONZE	880636 - 6
OBSOLETE	880654 - 5	PRÉ ESTANHADO/PRE-TIN	LATÃO / BRASS	880636 - 5
OBSOLETE	880654 - 4	ESTANHADO/ELECTRO-TIN	BRONZE FOSF./PHOSP BRONZE	880636 - 4
OBSOLETE	880654 - 3		BRONZE FOSF./PHOSP BRONZE	880636 - 3
	880654 - 2	ESTANHADO/ELECTRO-TIN	LATÃO / BRASS	880636 - 2
	880654 - 1		LATÃO / BRASS	880636 - 1

INS. RANGE	WIRE RANGE	LOOSE PIECE	FINISH	MATERIAL	PART NUMBER
∅ 2,7-3,7mm	1,0-2,5mm ²				

THIS DRAWING IS A CONTROLLED DOCUMENT.

DWN: NCLAPRESA 13JUL2012
 CHK: JRGOLDSCHMIDT 13JUL2012
 APVD: DAOLIVEIRA 13JUL2012

TE Connectivity

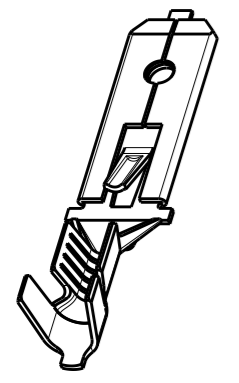
NAME: -
 PRODUCT SPEC: -
 APPLICATION SPEC: -
 WEIGHT: -

Customer Drawing

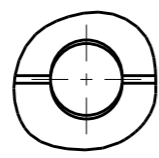
SCALE: 3:1

SIZE: A3 CAGE CODE: 00779 DRAWING NO: C=880636 RESTRICTED TO: -

SHEET 1 OF 1 REV G5



PERSPECTIVE VIEW
SCALE 2:1



DETAIL Y
SCALE 5:1
CONSTRUÇÃO OPCIONAL
OPTIONAL CONSTRUCTION

