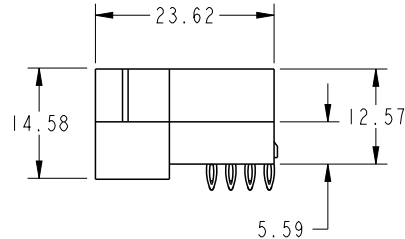
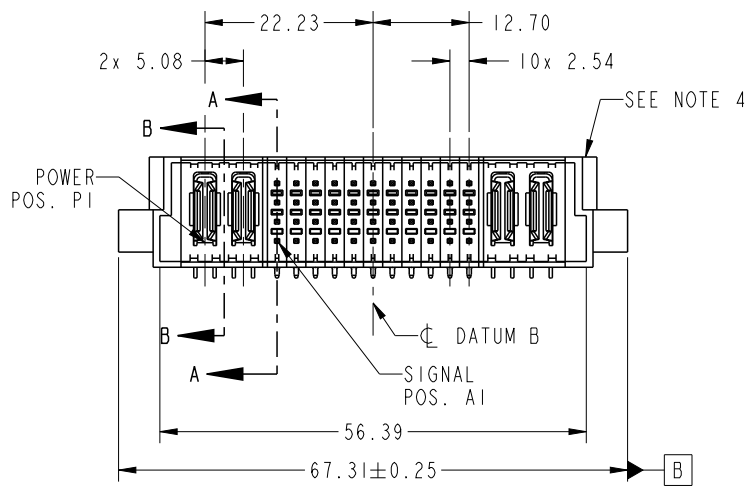
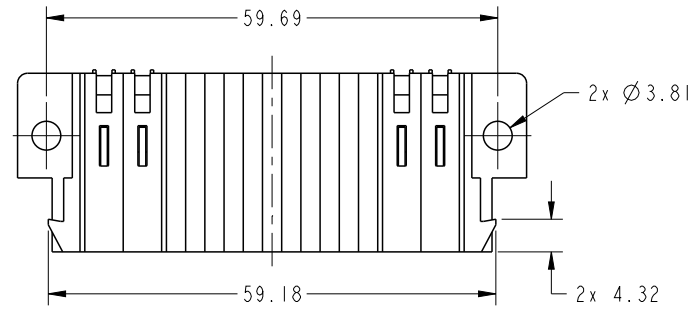


PRODUCT NO.	ROWS	POWER		SIGNAL							POWER		E2				
		E1	P1	P2	1	2	3	4	5	6	7	8		9	10	11	P3
51939-952-- NOTE 3	D C B A		PX	PX	SD	SD	SD	SD	SD	SD	SD	SD	SD	SD	PX	PX	



CODE	DIM "M" MATING LENGTH	CONTACT TYPE
SA	[6.86]	SIGNAL
SB	[6.86]	SIGNAL
SC	[6.86]	SIGNAL
SD	[6.86]	SIGNAL
PX	[N/A]	POWER



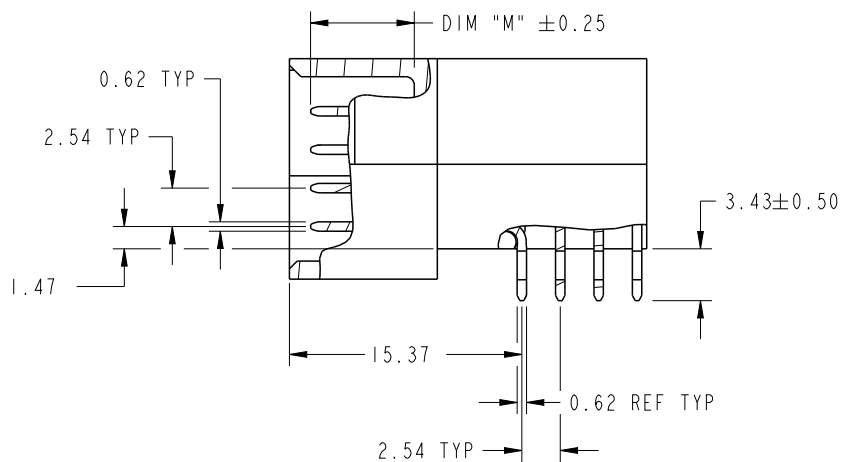
Copyright FCI.

spec ref	*	dr	Ruan MT	2015/01/09	projection	MM	size	A4	scale	1:1											
tolerance std	ASME Y14.5	eng	Ruan MT	2015/01/21			ecn no		-												
TOLERANCES UNLESS OTHERWISE SPECIFIED		chr	-	-			rel level		Released												
surface	<table border="1"> <tr> <td>linear</td> <td>0.X</td> <td>±0.5</td> </tr> <tr> <td></td> <td>0.XX</td> <td>±0.25</td> </tr> <tr> <td></td> <td>0.XXX</td> <td>±0.1</td> </tr> <tr> <td>angular</td> <td>0°</td> <td>±2°</td> </tr> </table>	linear	0.X	±0.5		0.XX	±0.25		0.XXX	±0.1	angular	0°	±2°	appr	Pei-Ming Zheng	2015/01/21	product family	PwrBlade		rev	A
linear	0.X	±0.5																			
	0.XX	±0.25																			
	0.XXX	±0.1																			
angular	0°	±2°																			
ASME Y14.5				title	2DCP + 44S + 2DCP		dwg no	51939-952													
		www.fci.com	cat. no.	-	Product - Customer Drw		sheet 1 of 4														

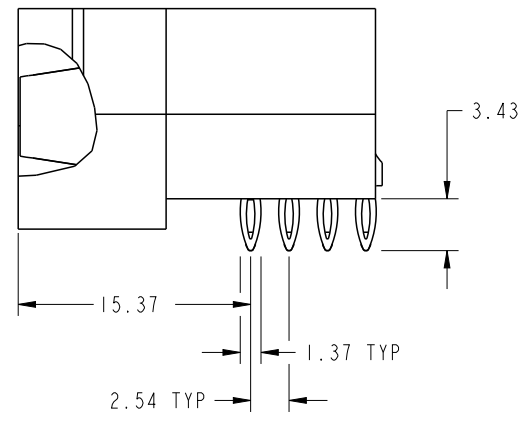
Prod File - REV C - 2009-06-09

PRODUCT NUMBER

51939-952--  
NOTE: 3



BROKEN-OUT SECTION A-A  
SCALE 2:1

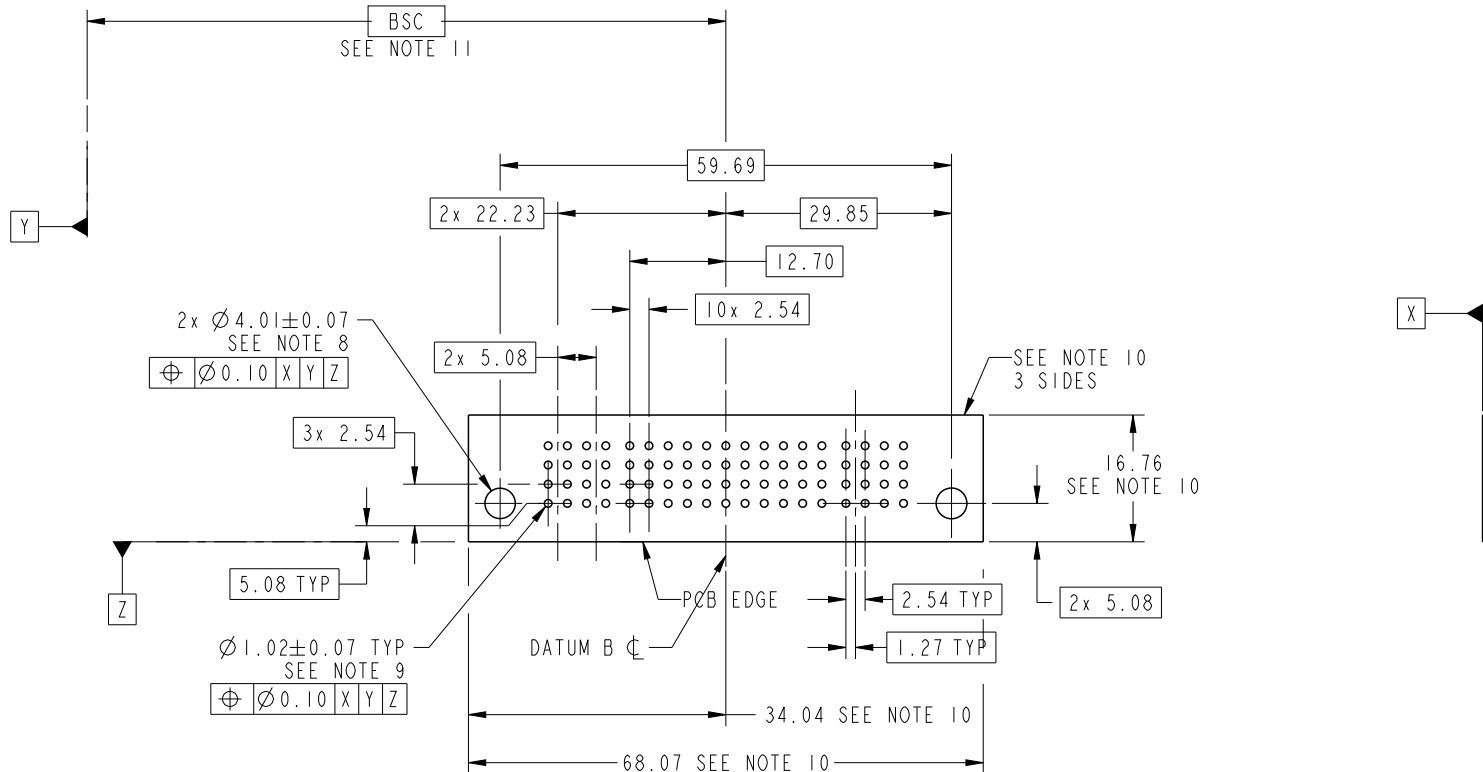


BROKEN-OUT SECTION B-B  
SCALE 2:1

dr	Ruan MT	2015/01/09	projection 	MM 	size	A4	scale	1:1		
eng	Ruan MT	2015/01/21			ecn no	-				
chr	-	-								
appr	Pei-Ming Zheng	2015/01/21	product family	PwrBlade	rel level	Released				
	title				2DCP + 44S + 2DCP	dwg no		51939-952	rev	A
www.fci.com	cat. no.				-	Product - Customer Drw			sheet 2 of 4	

PRODUCT NUMBER

51939-952\_\_  
NOTE: 3



RECOMMENDED PCB LAYOUT

dr	Ruan MT	2015/01/09	projection 	MM 	size	A4	scale	1:1			
eng	Ruan MT	2015/01/21			ecn no	-					
chr	-	-			rel level	Released					
appr	Pei-Ming Zheng	2015/01/21	product family	PwrBlade							
		title		2DCP + 44S + 2DCP		dwg no		51939-952		rev	A
www.fci.com		cat. no.		-		Product - Customer Drw		sheet 3 of 4			

PRODUCT NUMBER

51939-952--  
NOTE: 3

NOTES:

1. DIMENSIONS AND TOLERANCES ARE IN ACCORDANCE WITH ASME Y14.5M, 1994 UNLESS OTHERWISE SPECIFIED.

CONNECTOR NOTES:

- 2. HOUSING MATERIAL: UL 94 V-0 GLASS FILLED HIGH-TEMP THERMOPLASTIC  
POWER CONTACT MATERIAL: COPPER ALLOY  
SIGNAL PIN MATERIAL: COPPER ALLOY
- 3. SEE ITEM 3 & 4 IN PRINT 10064183 FOR PLATING SPEC OF 51939-952 AND 51939-952LF RESPECTIVELY.
- 4. MANUFACTURER'S NAME, DATE CODE AND OPTIONAL P/N TO APPEAR ON THIS SURFACE. THE MARK CAN BE OMITTED IF THERE IS NOT ENOUGH SPACE ON THIS SURFACE.
- 5. PRODUCT SPECIFICATION GS-12-149.  
APPLICATION SPECIFICATION BUS-20-067.
- 6. PACKAGED IN TRAYS.

PCB NOTES:

- 7. ALL HOLE DIAMETERS ARE FINISHED HOLE SIZE.
- 8. MOUNTING HOLES, WHERE APPLICABLE, ARE UNPLATED.
- 9.  $\varnothing 1.151 \pm 0.025$  DRILLED HOLES PLATED WITH  
0.008 MIN SnPb OR Sn OVER 0.03  
TO 0.08 Cu PLATING TO ACHIEVE  
 $\varnothing 1.02 \pm 0.07$  HOLE.
- 10. CONNECTOR KEEP-OUT ZONE.
- 11. DATUM AND BASIC DIMENSIONS ARE ESTABLISHED BY CUSTOMER.

dr	Ruan MT	2015/01/09	projection 	MM 	size	A4	scale	1:1
eng	Ruan MT	2015/01/21			ecn no	-		
chr	-	-			product family	PwrBlade	rel level	Released
appr	Pei-Ming Zheng	2015/01/21			title 2DCP + 44S + 2DCP RIGHT ANGLE PF HEADER	dwg no 51939-952	rev A	
www.fci.com		cat. no.	-	Product - Customer Drw		sheet 4 of 4		



Copyright FCI.