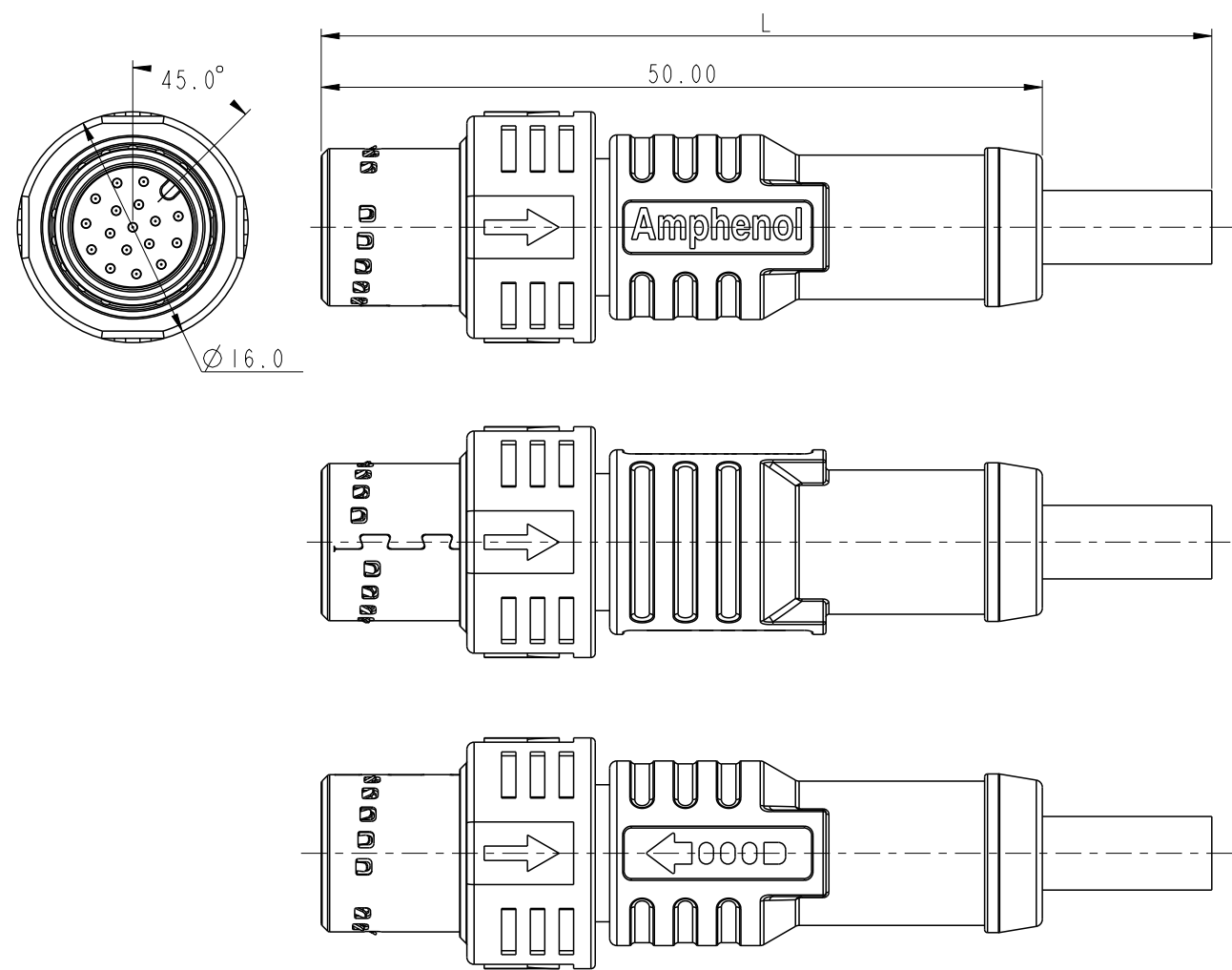


THIS DOCUMENT IS SUBJECT TO CHANGE WITHOUT NOTICE. IT IS CONFIDENTIAL AND A PROPERTY OF Amphenol LTW. DISCLOSURE TO THIRD PARTY HAS TO BE AUTHORIZED BY Amphenol LTW.

REV.	ECN NO.	DATE	SIGN	DESCRIPTION
A		2020-08-26	Sam Ho	New Release

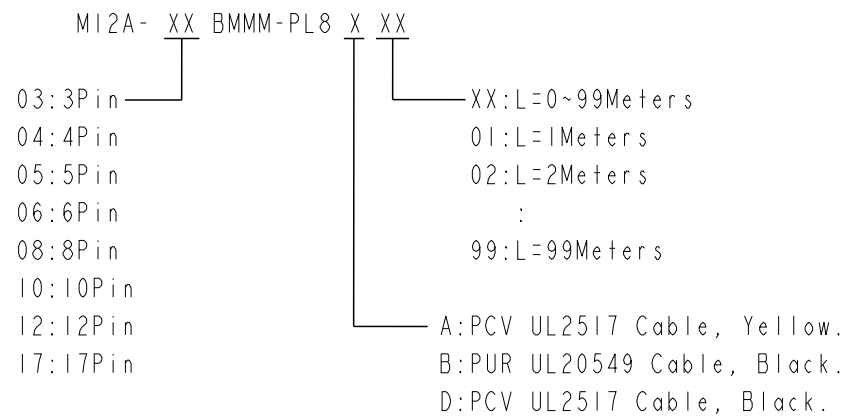


Notes:  
 Material Specification:  
 \* Housing: Thermoplastic, UL94V-0, Black.  
 \* Male Pin: Copper Alloy, Gold Plated.  
 \* Shell & Latch & Spring: Metal.  
 \* Outer Mold: Thermoplastic, Black.  
 Electrical Specification:  
 \* Contact Resistance: 10mΩ (Max.)  
 \* Insulation Resistance: 100MΩ (Min.)  
 \* Voltage Proof: 2~4 Pin 1.5KV  
                           5 Pin 1.0KV  
                           6~8 Pin 0.65KV  
                           9~17 Pin 0.65KV  
 \* Rated Voltage: 2~4 Pin 250V D.C. or A.C.  
                           5 Pin 60V D.C. or A.C.  
                           6~17 Pin 30V D.C. or A.C.  
 \* Rated Current: 2~5 Pin 4.0A  
                           6~8 Pin 2.0A  
                           9~17 Pin 1.5A  
 Mechanical Specification:  
 \* Durability: 500 Cycles.  
 Environmental Specification:  
 \* Waterproof Rate: IP68.  
 \* Temperature Range:  
   -20~+80°C For PVC Cable  
   -20~+85°C For PU Cable

UNIT: mm TOLERANCE ±0.50mm	TITLE M12 A Code Push Pull Type Cable		<b>Amphenol LTW</b> 安費諾亮泰企業股份有限公司		ITEM NO. M12A-XXBMMM-PL8XXX	DRAWN BY Sam Ho	DATE 2020-08-26
	SCALE 2:1	SIZE A4			SHEET 1 OF 3	DWG NO. M12A-XXBMMM-PL8XXX	CHECKED BY Fred Lee
	REV. A	WC-REV.	QC: Inspection item	CUSTOMER ALTW	APPROVED BY Fred Lee	DATE 2020-08-26	

THIS DOCUMENT IS SUBJECT TO CHANGE WITHOUT NOTICE. IT IS CONFIDENTIAL AND A PROPERTY OF Amphenol LTW. DISCLOSURE TO THIRD PARTY HAS TO BE AUTHORIZED BY Amphenol LTW.

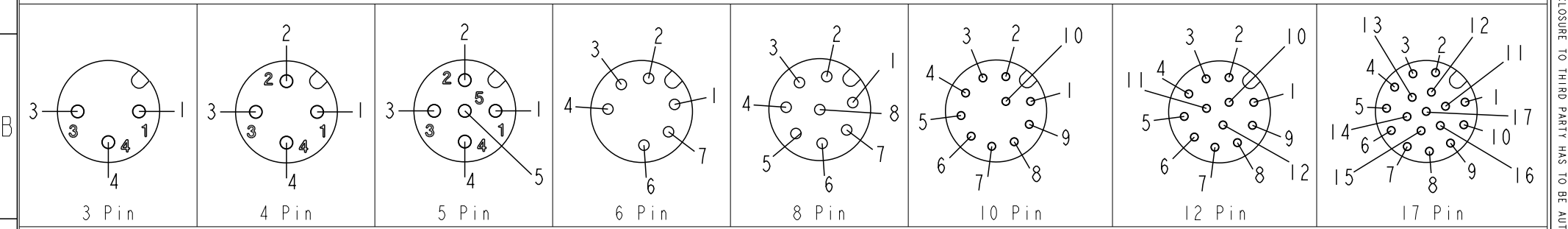
	1	2	3	4	5	6	7	8							
F					17P	PVC	7.0	26	M12A-17BMMM-PL8DXX						
					12P		6.0		M12A-12BMMM-PL8DXX						
					10P				M12A-10BMMM-PL8DXX						
					8P		5.5	24	M12A-08BMMM-PL8DXX						
					6P		5.0		M12A-06BMMM-PL8DXX						
					5P		5.1	22	M12A-05BMMM-PL8DXX						
					4P		4.8		M12A-04BMMM-PL8DXX						
					3P		4.1		M12A-03BMMM-PL8DXX						
					E						17P	PUR	7.0	26	M12A-17BMMM-PL8BXX
											12P		6.0		M12A-12BMMM-PL8BXX
											10P				M12A-10BMMM-PL8BXX
											8P		5.5	24	M12A-08BMMM-PL8BXX
											6P		5.0		M12A-06BMMM-PL8BXX
											5P		5.1	22	M12A-05BMMM-PL8BXX
											4P		4.8		M12A-04BMMM-PL8BXX
											3P		4.1		M12A-03BMMM-PL8BXX
											D				
12P	6.0	M12A-12BMMM-PL8AXX													
10P		M12A-10BMMM-PL8AXX													
8P	5.5	24	M12A-08BMMM-PL8AXX												
6P	5.0		M12A-06BMMM-PL8AXX												
5P	5.1	22	M12A-05BMMM-PL8AXX												
4P	4.8		M12A-04BMMM-PL8AXX												
3P	4.1		M12A-03BMMM-PL8AXX												
C						Contacts									



A	UNIT: mm		TITLE M12 A Code Push Pull Type Cable			<b>Amphenol LTW</b>		ITEM NO M12A-XXBMMM-PL8XXX	DRAWN BY Sam Ho	DATE 2020-08-26
	TOLERANCE ±0.50mm		SCALE 2:1	SIZE A4	SHEET 2 OF 3	<b>安費諾亮泰企業股份有限公司</b>		DWG NO M12A-XXBMMM-PL8XXX	CHECKED BY Fred Lee	DATE 2020-08-26
			REV. A	WC-REV.		QC: Inspection item	CUSTOMER ALTW	APPROVED BY Fred Lee	DATE 2020-08-26	

5 - -		5 - -		5 Gray 灰		8 - -		8 Red 紅		12 - -		17 White/Gray 白/灰			
4 Black 黑		4 Black 黑		4 Black 黑		7 Blue 藍		7 Blue 藍		11 - -		16 Yellow/Brown 黃/棕			
3 Blue 藍		3 Blue 藍		3 Blue 藍		6 Pink 粉		6 Pink 粉		10 Violet 紫		15 White/Yellow 白/黃			
2 - -		2 White 白		2 White 白		5 - -		5 Gray 灰		9 Black 黑		14 Brown/Green 棕/綠			
1 Brown 棕		1 Brown 棕		1 Brown 棕		4 Yellow 黃		4 Yellow 黃		8 Red 紅		13 White/Green 白/綠			
Pin #		Wire		Pin #		Wire		Pin #		Wire		Pin #		Wire	

Pin Out



Pin Assignments Front View

UNIT:mm TOLERANCE ±0.50mm			TITLE M12 A Code Push Pull Type Cable		ITEM NO M12A-XXBMMM-PL8XXX		DRAWN BY Sam Ho		DATE 2020-08-26	
	SCALE 2:1		SIZE A4		SHEET 3 OF 3		CHECKED BY Fred Lee		DATE 2020-08-26	
	REV. A		WC-REV.		Inspection item		APPROVED BY Fred Lee		DATE 2020-08-26	

# Amphenol LTW

安費諾亮泰企業股份有限公司

CUSTOMER: ALTW