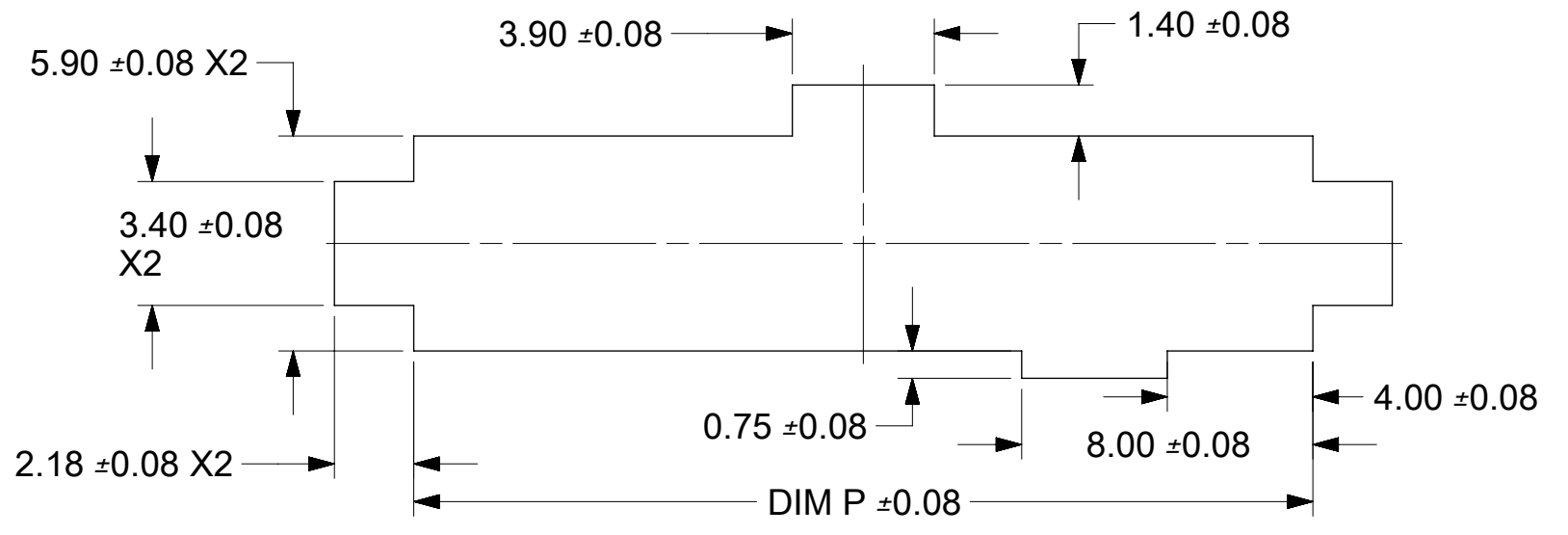
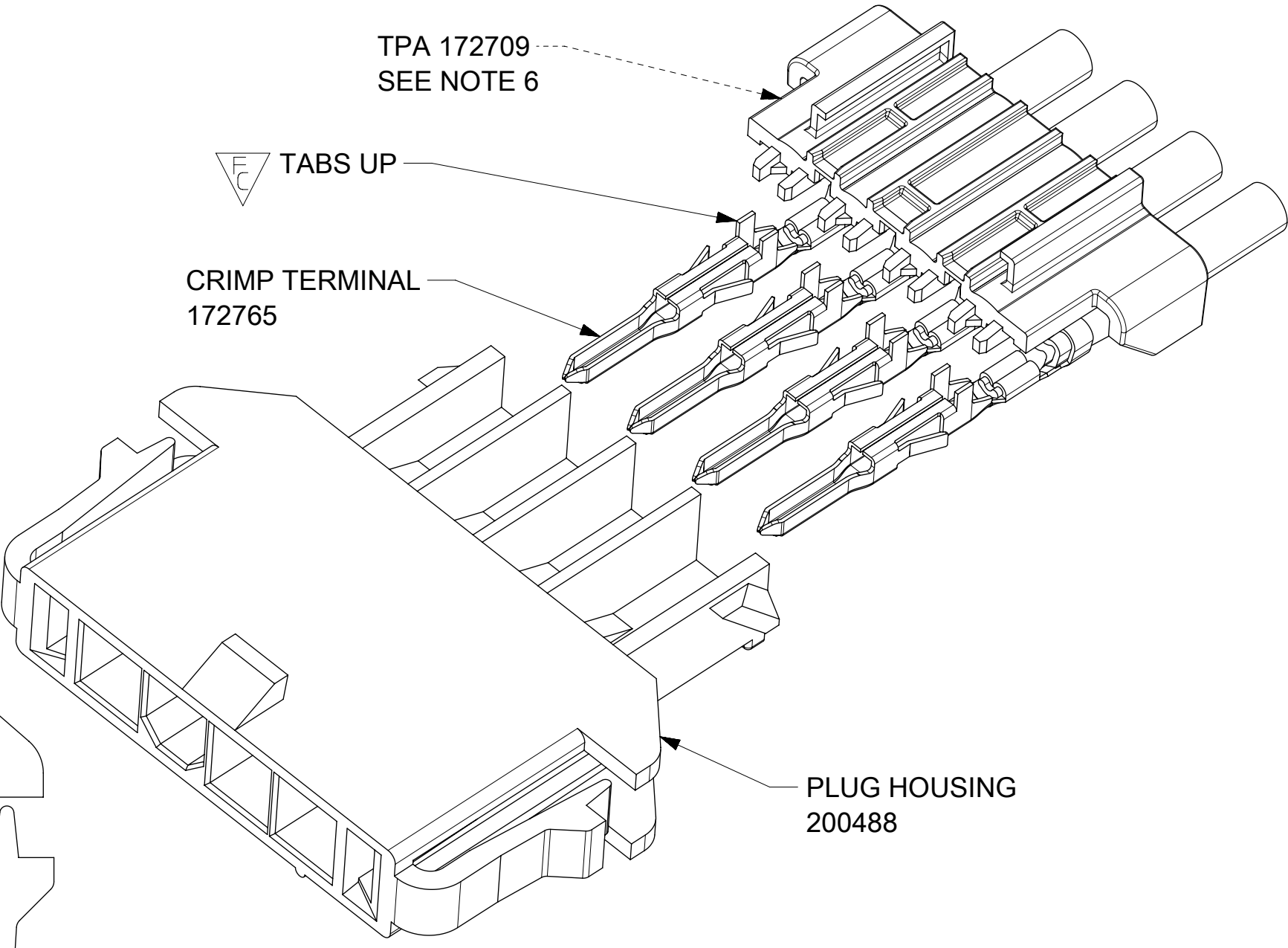
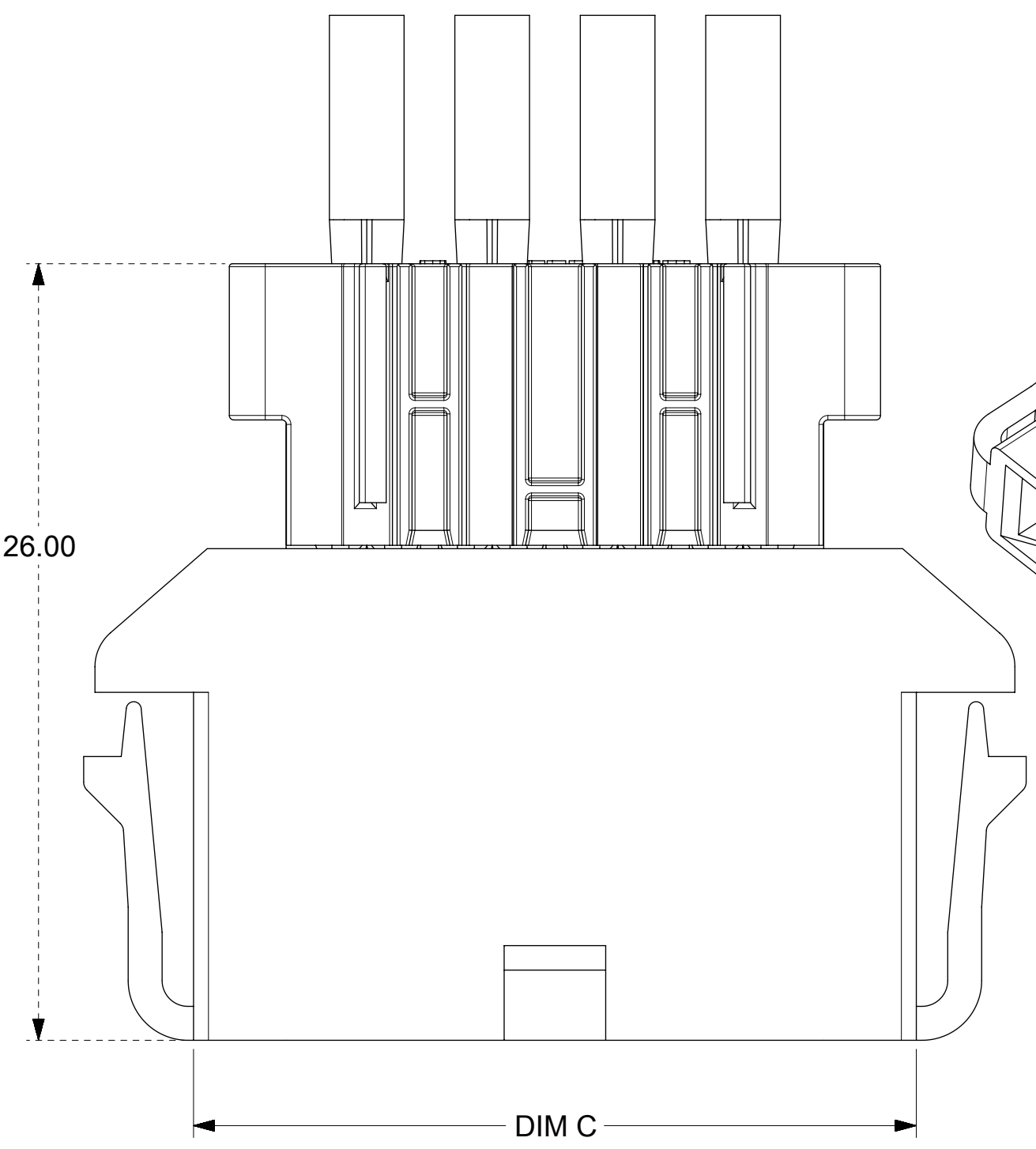
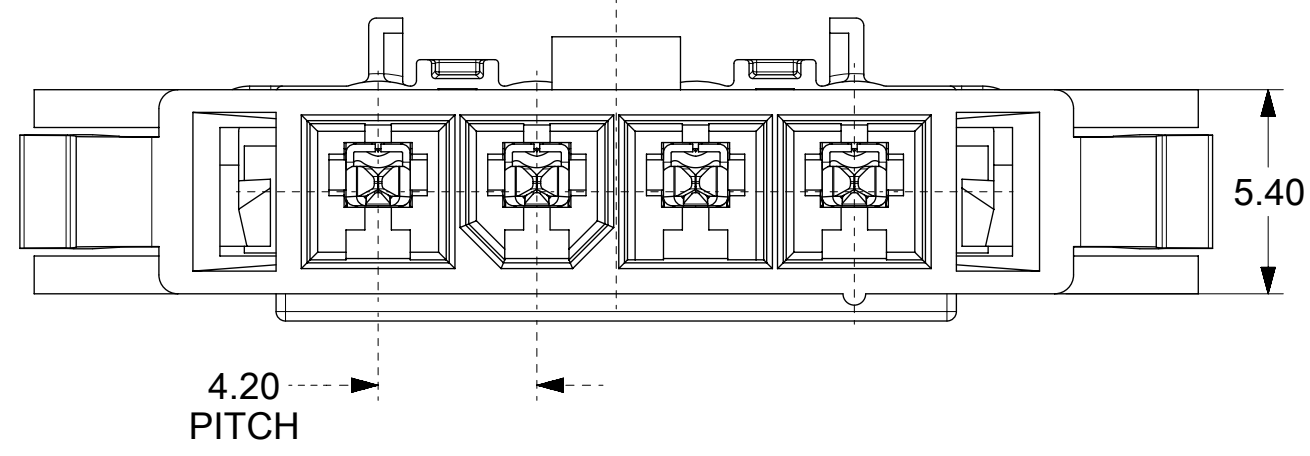
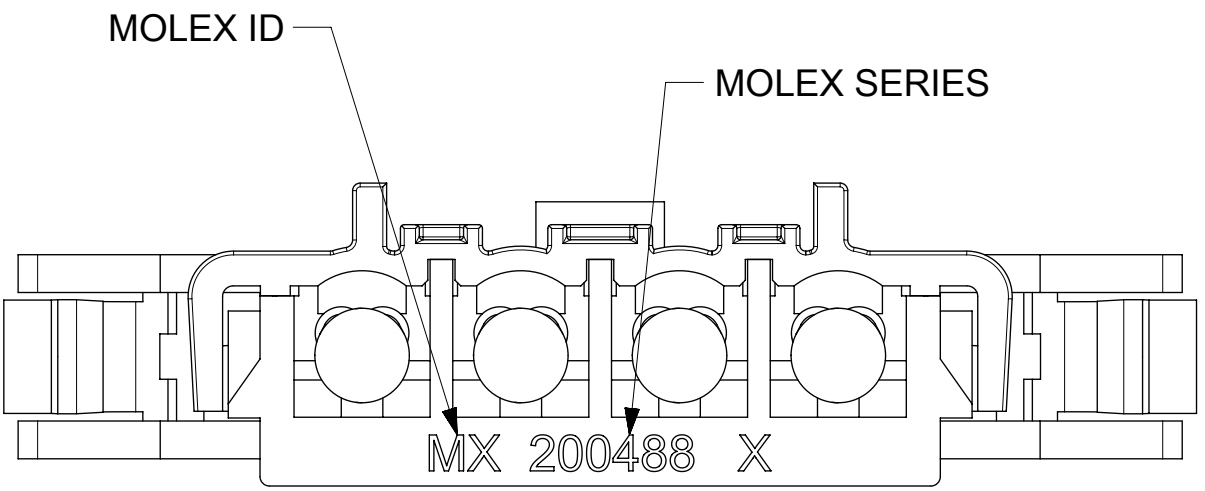
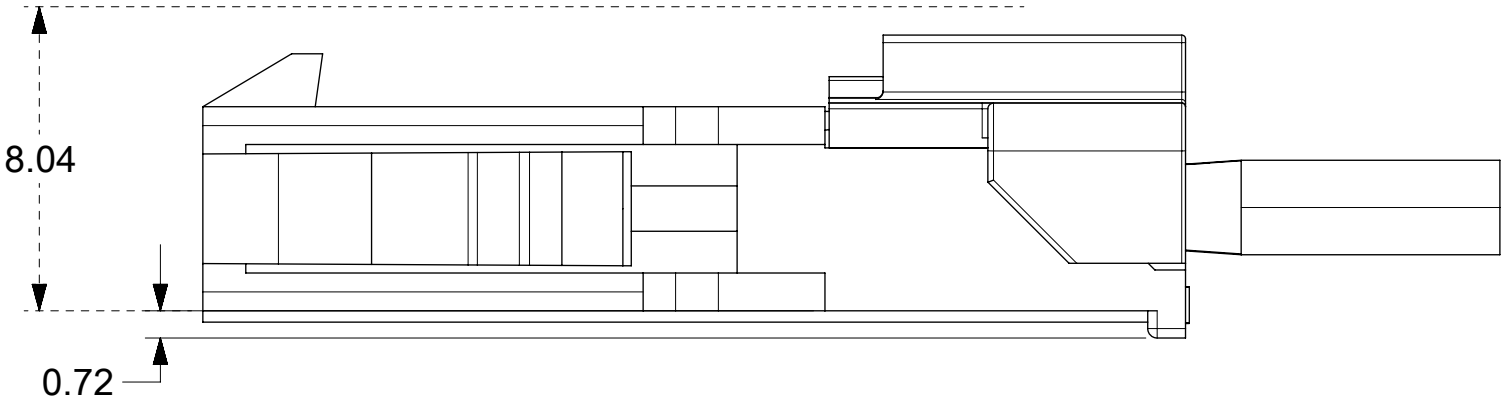


PART NUMBER	CKTS	DIM C	DIM P	MATERIAL
2004880002	2	15.80	16.30	A
2004880102	2	15.80	16.30	B
2004880202	2	15.80	16.30	C
2004880003	3	20.00	20.50	A
2004880103	3	20.00	20.50	B
2004880203	3	20.00	20.50	C
2004880004	4	24.20	24.70	A
2004880104	4	24.20	24.70	B
2004880204	4	24.20	24.70	C
2004880005	5	28.40	28.90	A
2004880105	5	28.40	28.90	B
2004880205	5	28.40	28.90	C
2004880006	6	32.60	33.10	A
2004880106	6	32.60	33.10	B
2004880206	6	32.6	33.10	C



RECOMMENDED PANEL CUTOUT
MAX PANEL THICKNESS 1.60

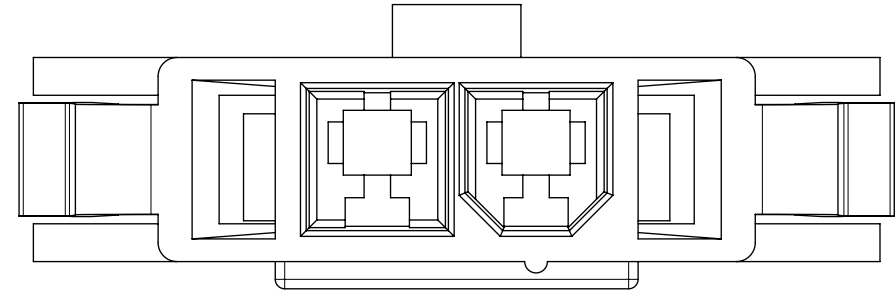


- NOTES:
- MATERIAL:
'A' = NYLON V-0, LOW HALOGEN, COLOR: BLACK
'B' = NYLON V-2, GLOW WIRE CAPABLE, COLOR: BLACK
'C' = NYLON V-2; COLOR: BLACK
 - FINISH: NONE
 - PRODUCT SPECIFICATION: PS-172718-0000
APPLICATION SPECIFICATION: AS-172718-0000
 - PACKAGING SPECIFICATION:
2004880000-PK
 - THIS HOUSING TO BE USED WITH MALE TERMINAL SERIES 172765 AND TPA SERIES 172709.
 - THIS PRODUCT MUST BE USED WITH THE TPA INSTALLED.
 - THIS PART MATES WITH SERIES 5557 & 200453.
 - THIS PART CONFORMS TO CLASS 'B' REQUIREMENTS OF COSMETIC SPECIFICATION PS-45499-002.
 - FOR BLACK 'B' MATERIAL USE CLASS C GATE BLIMISH SPEC.

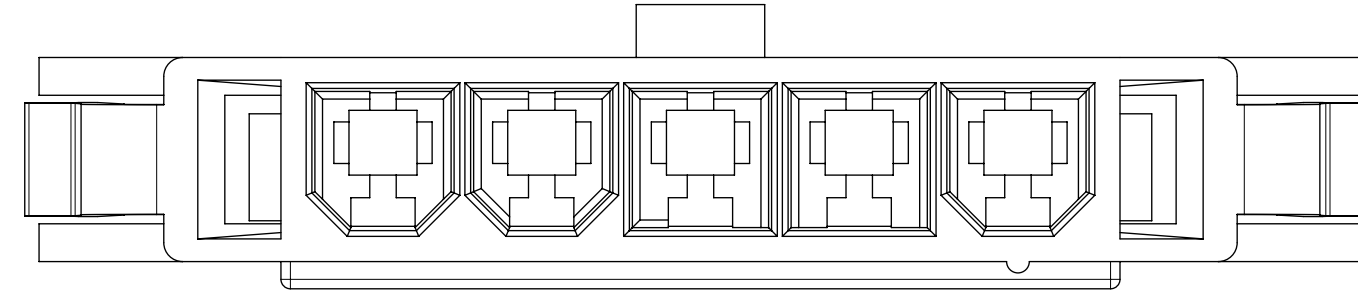
QUALITY SYMBOLS ▽ = 0 ▽ = 2 ▽ = 0 ▽ = 0 ▽ = 0 ▽ = 0 ▽ = 0 ▽ = 0 ▽ = 0	THIS DRAWING CONTAINS INFORMATION THAT IS PROPRIETARY TO MOLEX ELECTRONIC TECHNOLOGIES, LLC AND SHOULD NOT BE USED WITHOUT WRITTEN PERMISSION		GENERAL TOLERANCES (UNLESS SPECIFIED)		DIMENSION UNITS	SCALE		
	EC NO: 167997 DRWN: AZAHIROVIC CHKD: JBELL APPR: FSMITH		DIMENSION UNITS: mm SCALE: 5:1		DRWN BY	DATE		
	UPDATE NOTE 4 2017/11/14 2017/12/19 2018/01/08		ANGULAR TOL ± 0.5 °		TGREGORI	2016/10/18		HOUSING, SINGLE ROW PLUG PANEL MOUNT MINI-FIT TPA2
	4 PLACES ± 3 PLACES ± 2 PLACES ± 0.13 1 PLACE ± 0.2 0 PLACES ±		DRAFT WHERE APPLICABLE MUST REMAIN WITHIN DIMENSIONS		CHKD BY	DATE		
	DIMENSION UNITS: C THIRD ANGLE PROJECTION		TGREGORI 2016/10/18		APPR BY	DATE		
PRODUCT CUSTOMER DRAWING		SERIES	MATERIAL NUMBER	CUSTOMER	200488 SEE TABLE GENERAL MARKET			
RELEASE STATUS: P1 RELEASE DATE: 08.01.2018 22:26:31		DOCUMENT NUMBER: 2004880000-SD DOC TYPE: PSD DOC PART: 000 SHEET NUMBER: 1 OF 2						

POLARIZATION DETAIL

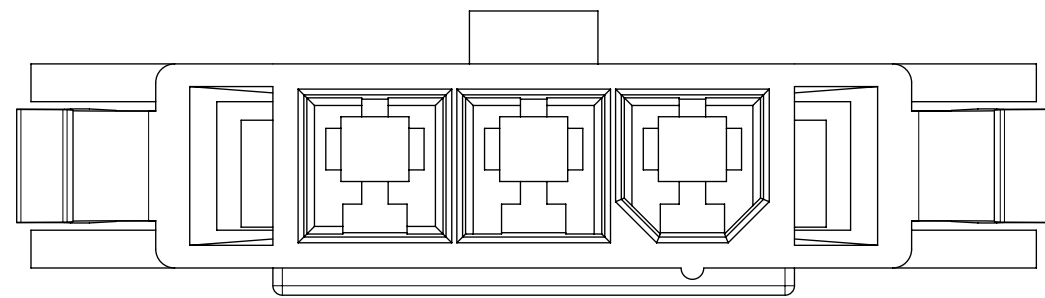
2 CKT



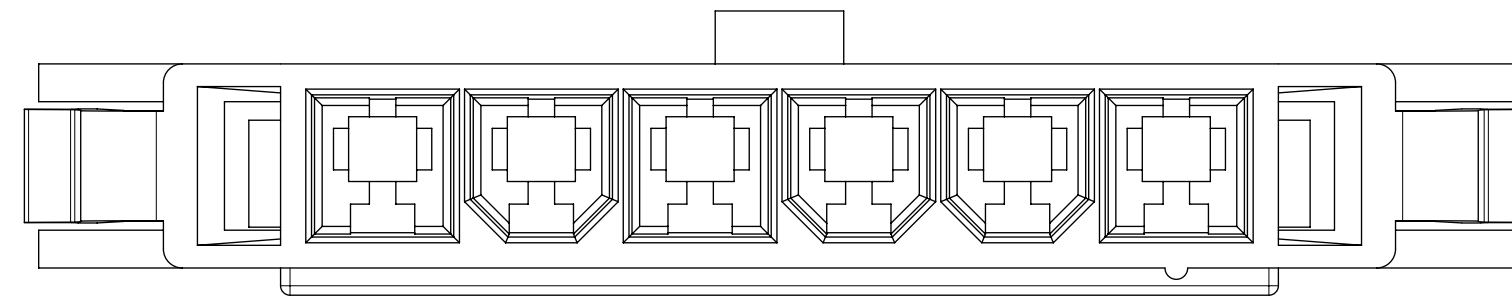
5 CKT



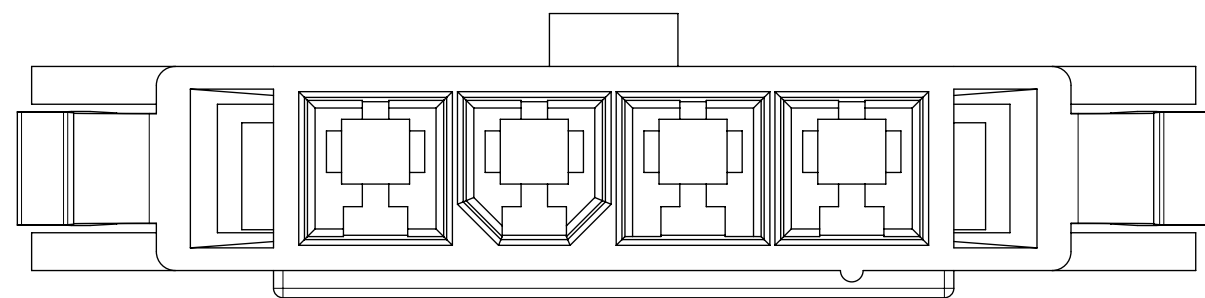
3 CKT



6 CKT



4 CKT



QUALITY SYMBOLS ▽ = 0 ▽ = 0 ▽ = 0 ▼ = 0 ▽ = 0 ⊠ = 0 ■ = 0 ▽ = 0		THIS DRAWING CONTAINS INFORMATION THAT IS PROPRIETARY TO MOLEX ELECTRONIC TECHNOLOGIES, LLC AND SHOULD NOT BE USED WITHOUT WRITTEN PERMISSION		DIMENSION UNITS mm		SCALE 5:1					
EC NO: 167997 DRWN: AZAHIROVIC CHKD: JBELL REV / APPR: FSMITH		DATE: 2017/11/14 DATE: 2017/12/19 DATE: 2018/01/08		GENERAL TOLERANCES (UNLESS SPECIFIED) ANGULAR TOL ± 0.5 °		DRWN BY: TGREGORI DATE: 2016/10/18					HOUSING, SINGLE ROW PLUG PANEL MOUNT MINI-FIT TPA2
UPDATE NOTE 4		4 PLACES ± 3 PLACES ± 2 PLACES ± 0.13 1 PLACE ± 0.2 0 PLACES ±		CHKD BY: TGREGORI DATE: 2016/10/18		APDR BY: RHODGE DATE: 2016/10/20		PRODUCT CUSTOMER DRAWING			
A3		DRAFT WHERE APPLICABLE MUST REMAIN WITHIN DIMENSIONS		DRAWING SIZE: C		THIRD ANGLE PROJECTION		SERIES: 200488	MATERIAL NUMBER: SEE TABLE		CUSTOMER: GENERAL MARKET
RELEASE STATUS: P1		RELEASE DATE: 08.01.2018 22:26:31		DOCUMENT NUMBER: 2004880000-SD		DOC TYPE: PSD	DOC PART: 000	SHEET NUMBER: 2 OF 2			