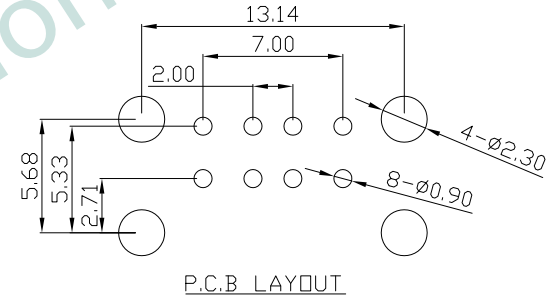
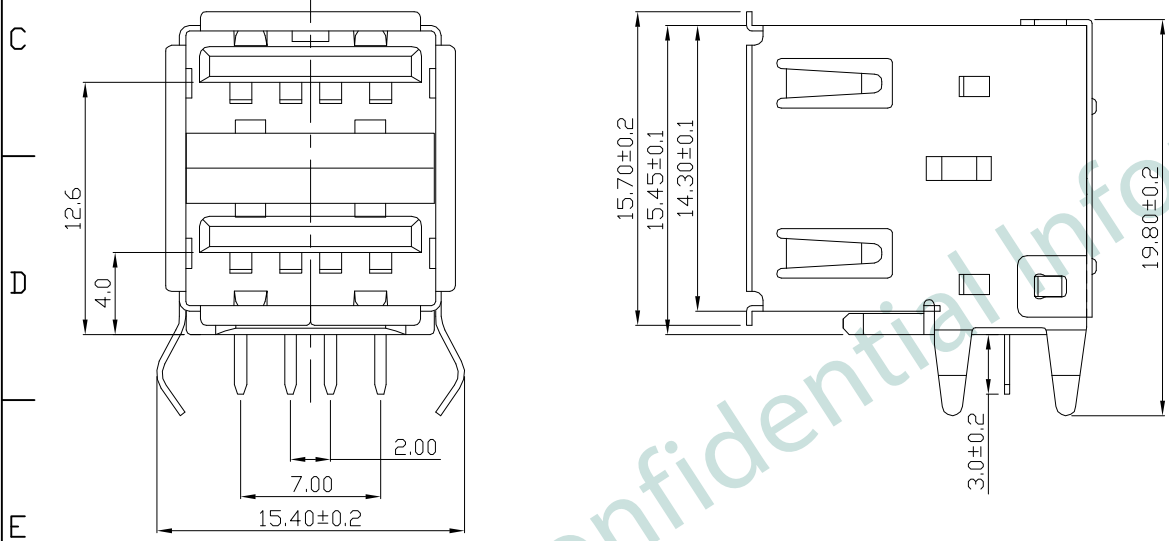
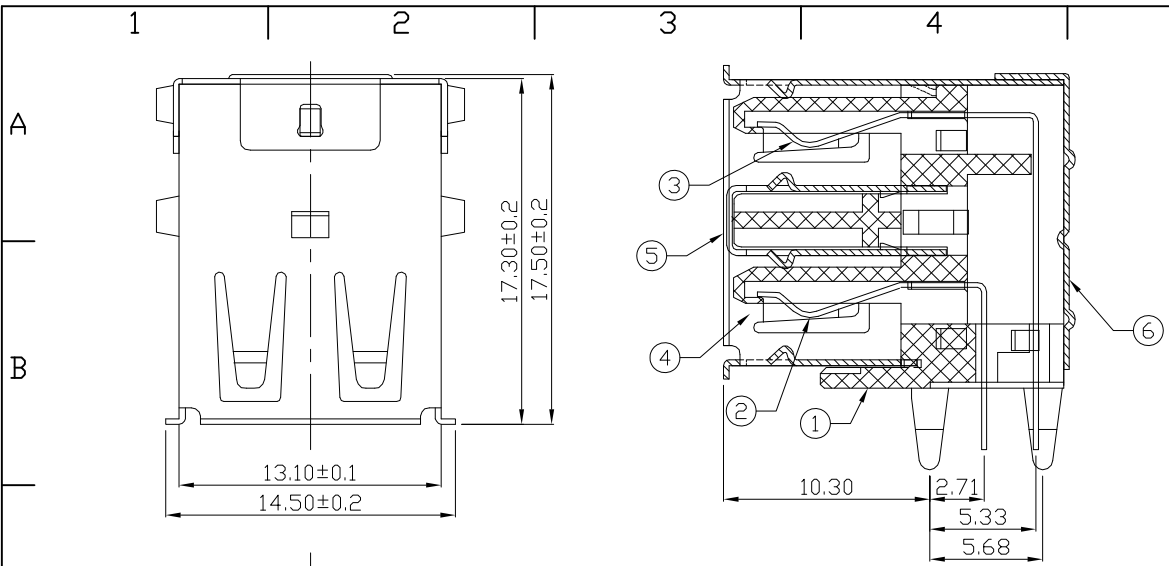
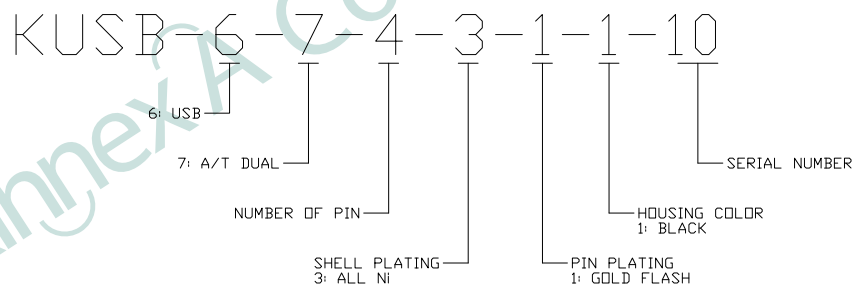


REV.	DATE	DESCRIPTION
01	Oct. 25, '17	1st RELEASE

SPECIFICATIONS:  
 CURRENT RATING: 1A MAX.  
 DIELECTRIC WITHSTANDING VOLTAGE: 500V(AC) FOR 1 MINUTE  
 CONTACT RESISTANCE: 30mΩ MAX.  
 INSULATION RESISTANCE: 1000MΩ MIN. AT DC 500V  
 TOTAL MATING FORCE: 4.0 kgf MAX.  
 TOTAL UNMATING FORCE: 1.0 kgf MIN.  
 TEMPERATURE RANGE: -55°C~+105°C  
 UNSPECIFIED TOLERANCE: .XX ±0.10  
 .X ±0.20



NO	PART NAME	MATERIAL	THICK	FINISH	Q'TY
6	SHELL-C	BRASS/Fe	T=0.30	Ni 100μ"	1
5	SHELL-B	BRASS	T=0.30	Ni 100μ"	1
4	SHELL-A	BRASS/Fe	T=0.30	Ni 100μ"	1
3	TERMINAL-B	PHOS-BRONZE	T=0.25	Su 100μ", GOLD FLASH	4
2	TERMINAL-A	PHOS-BRONZE	T=0.25	Su 100μ", GOLD FLASH	4
1	HOUSING	PBT, UL94V-0		WHITE/BLACK	1



PART NO KUSB-6-7-4-3-1-1-10				
TITLE	USB DUAL A(F) TYPE RECEPTACLE, DIP, 4PIN			
REV : 01				
UNIT	DRAWN	CHKD	DATE	SHEET
mm[inch]	BOCHEN	CINDY	Oct. 25, '17	1 of 1