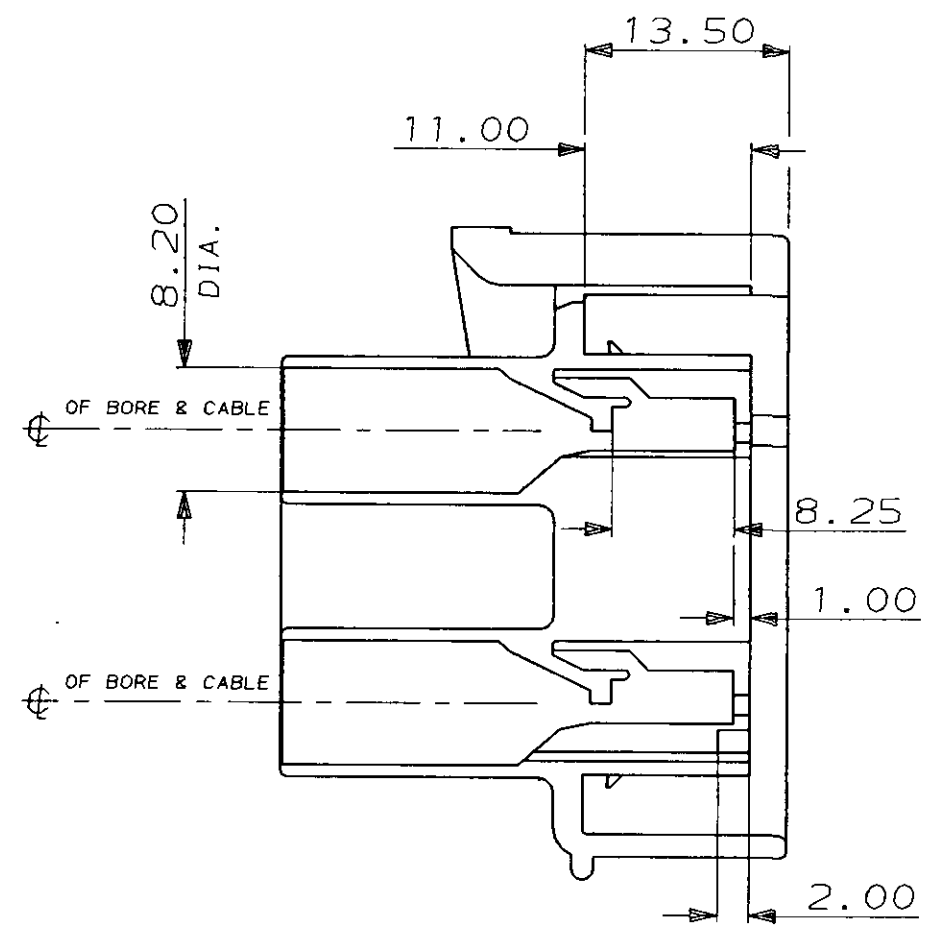
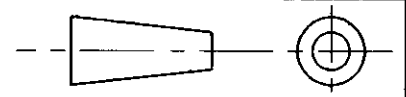
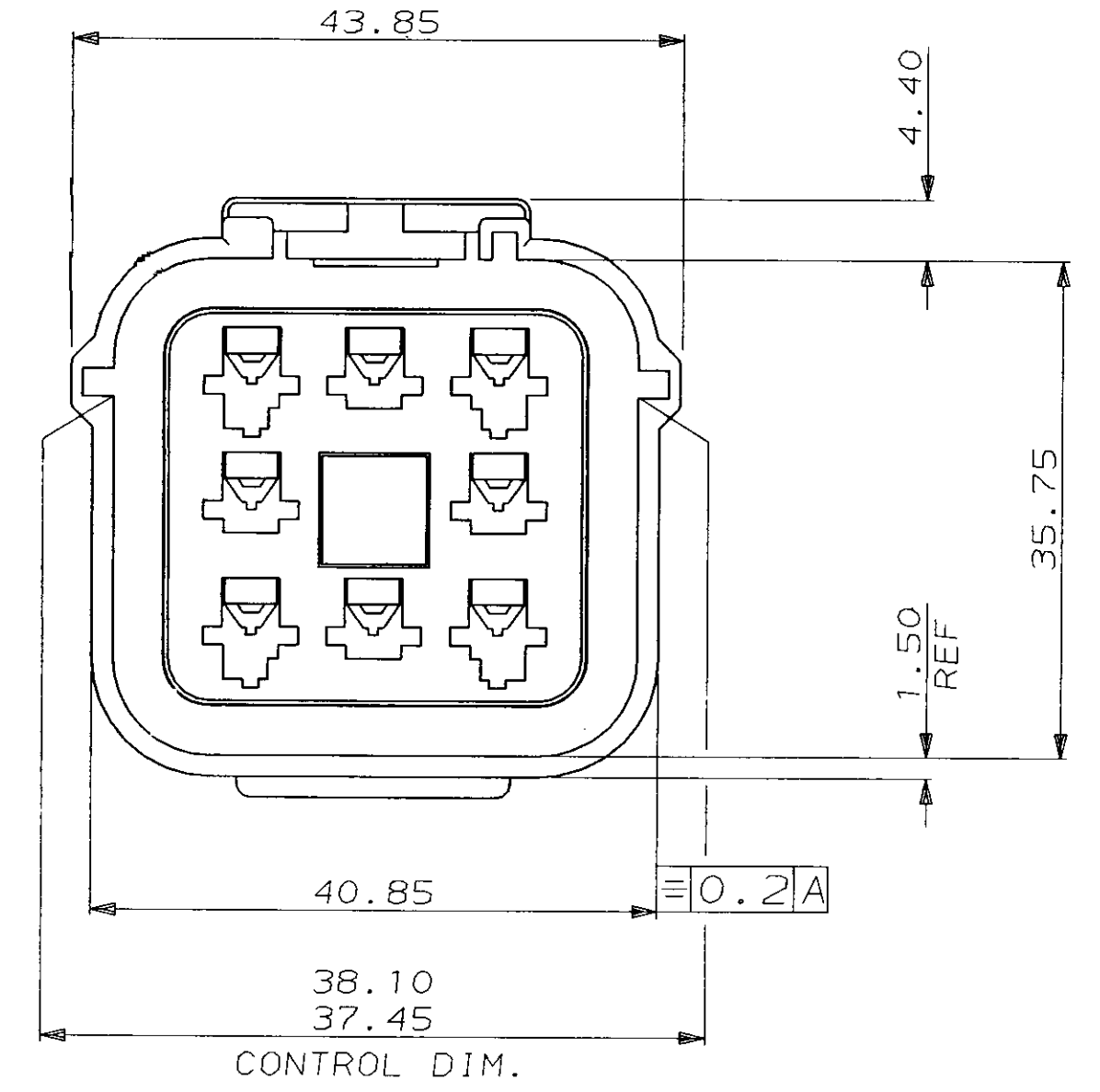
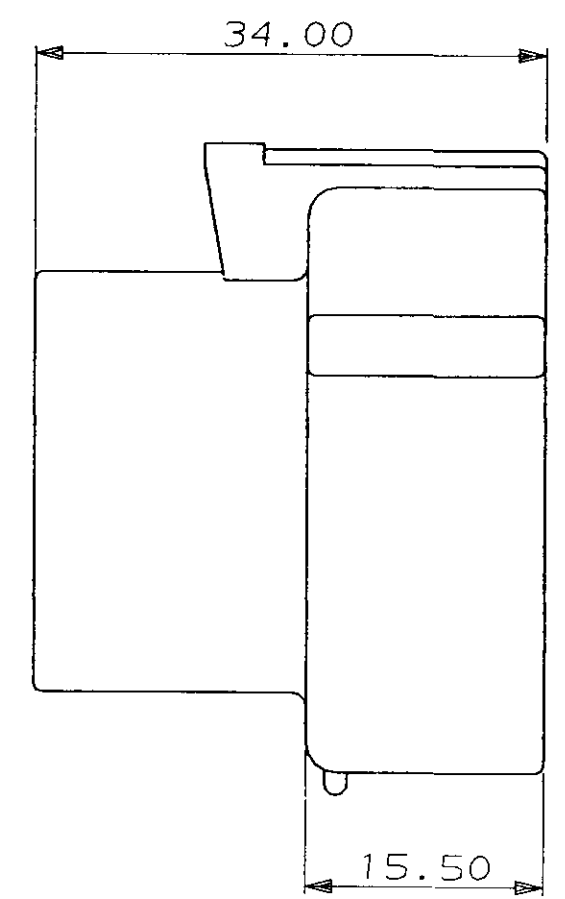
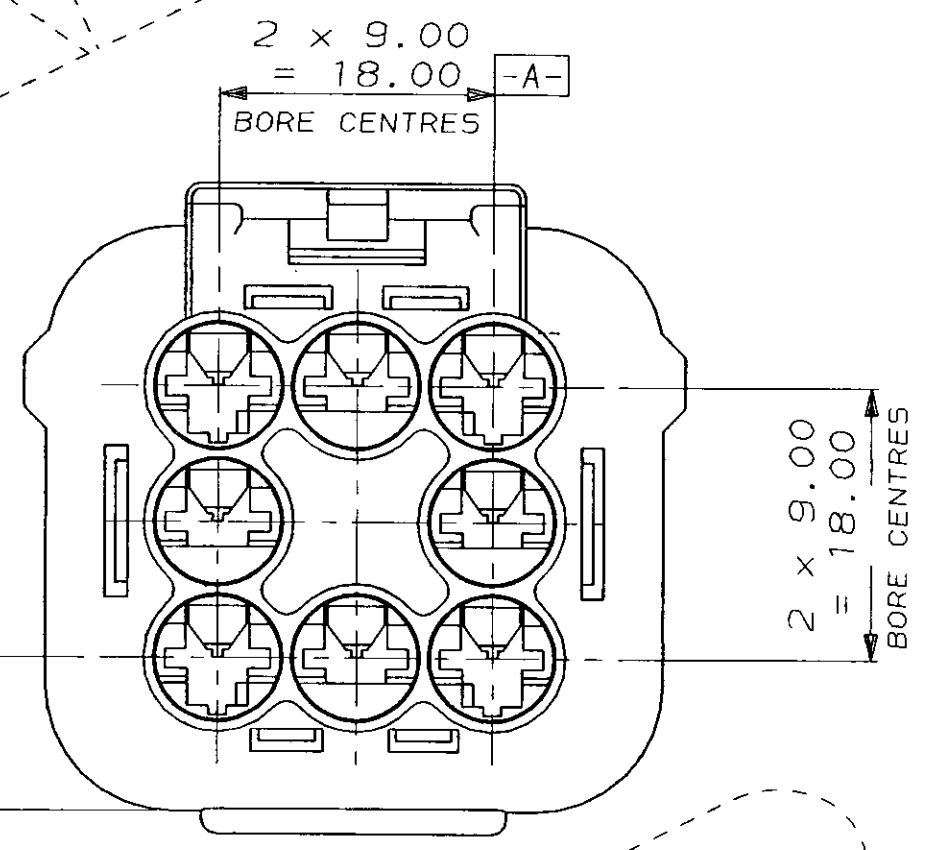
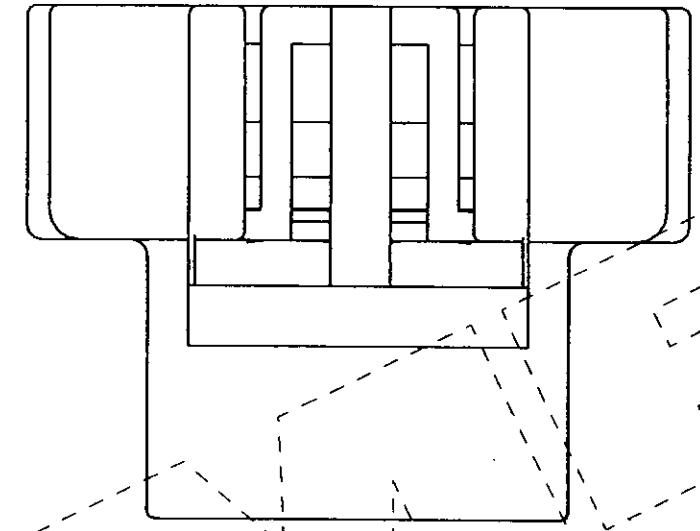
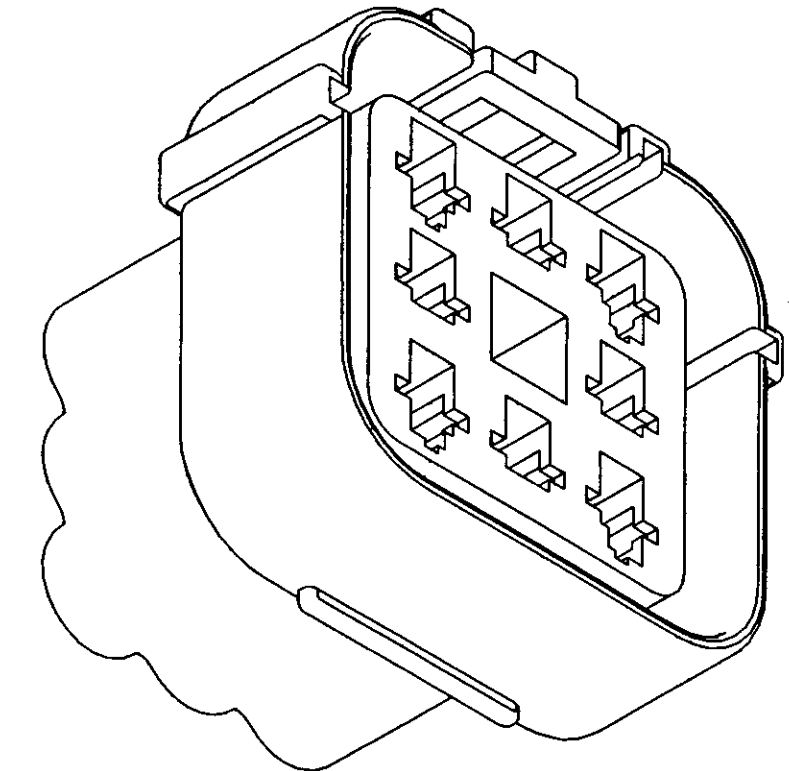


C.A.D. FILE CODE  
C344076

DO NOT SCALE DIMENSIONS IN MM.



SCRAP VIEW (SEAL NOT SHOWN)



WHITE	PA66	344076-4
BLUE	PA66	344076-3
RED	PA66	344076-2
BLACK	PA66	344076-1
COLOUR	MATERIAL	PART NUMBER

CUSTOMER DWG FOR REFERENCE ONLY				©COPYRIGHT 1987 BY AMP OF GREAT BRITAIN LTD. ALL INTERNATIONAL RIGHTS RESERVED. ALL PRODUCTS MAY BE COVERED BY BRITISH AND FOREIGN PATENTS AND/OR PATENTS PENDING.				RELEASED FOR PUBLICATION 23/06/87	
TOLERANCES UNLESS OTHERWISE STATED DEC ± 0.5 ANGLES ± 1°				DR. I. J.		23/06/87		APP. B. J.	
NAME				CH. R. J. S.		TE Connectivity		8 WAY REC.HSG.	
D1	REVISION CHANGE	ECR-14-007031	27MAY2014	SCALE	LOC	SIZE	DWG.No.	REV	SHEET
REV	MODIFICATION	ECN	DATE	2/1	E	A2	C344076	D1	1/1