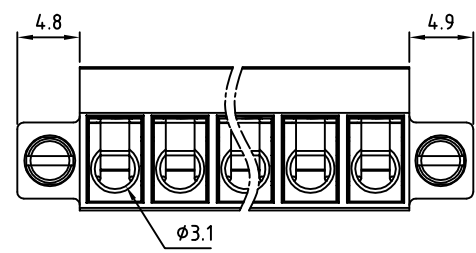
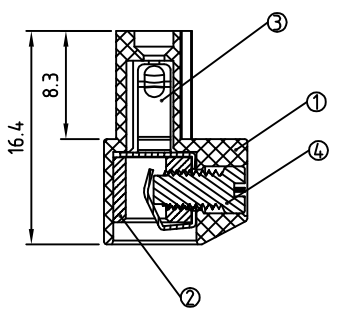
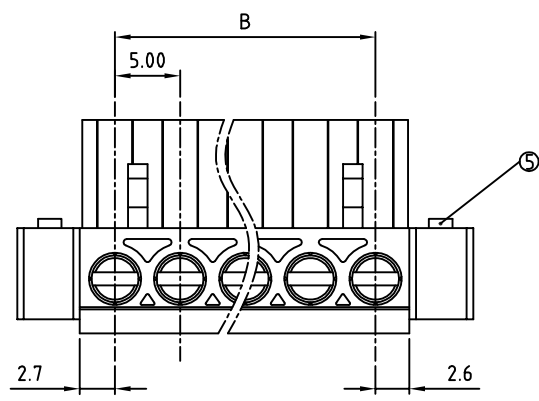
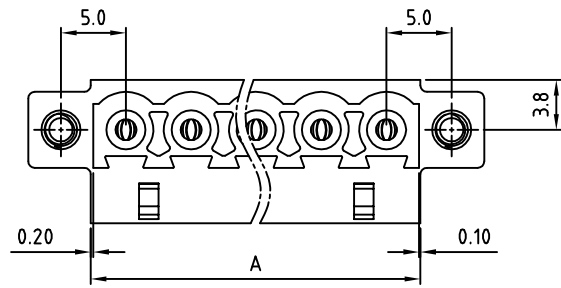


SIGN	DATE	DESCRIPTION	APPROVER
△			
THIS IS CAD DRAWING, DO NOT REVISE MANUALLY!!!			



- Material:
- Item ① Insulator(housing): Thermoplastic (UL94V-0)
 - Item ② Terminal Body: Brass
 - Item ③ Wire guard: PhBz
 - Item ④ Terminal Screw: Steel zinc plated.
 - Item ⑤ With flangescrew: M2.5 Steel Zinc plated.

- Electrical: UL
- Voltage rating: 300 V
 - Current rating: 15 A
 - Wire range:
 - Solid wire(AWG): 12-22
 - Stranded wire(AWG): 12-22
 - Torque: 4.3 Lbs.-In
 - Screw: M3
 - Wire strip length: 5 mm
 - Withstanding Voltage: 1.6KV
 - Operating temperature: -40°C to +115°C
- RoHS Compliant

PART NUMBER:

OSTEZXX7152

- | | |
|--------------|---------------------|
| No. of Poles | COLOR |
| 02 2 Poles | 0: Black |
| 03 3 Poles | 5: Green (Standard) |
| | 6: Blue |
| 24 24 Poles | 8: Grey |

THESE DRAWINGS AND SPECIFICATIONS ARE THE PROPERTY OF ON-SHORE TECHNOLOGY, INC. AND SHALL NOT BE REPRODUCED, COPIED OR USED IN ANY MANNER WITHOUT THE PRIOR WRITTEN CONSENT OF ON-SHORE TECHNOLOGY, INC.

POLE		2	3	4	5	6	7	8	9	10	11	12
A		10.30	15.30	20.30	25.30	30.30	35.30	40.30	45.30	50.30	55.30	60.30
B		5.00	10.00	15.00	20.00	25.00	30.00	35.00	40.00	45.00	50.00	55.00
Tol.		±0.15					±0.20					
POLE	13	14	15	16	17	18	19	20	21	22	23	24
A	65.30	70.30	75.30	80.30	85.30	90.30	95.30	100.30	105.30	110.30	115.30	120.30
B	60.00	65.00	70.00	75.00	80.00	85.00	90.00	95.00	100.00	105.00	110.00	115.00
Tol.		±0.25					±0.30					



TITLE	OSTEZ-5.0 w/Flange Series												
PART NO.	OSTEZXX7152						DWG NO.	OSTEZXX7152.DWG					
APPROVED	CHECKED	DESIGNED	DRAWN	CUST NO.									
		Tony 2007.07.03	Tony 2007.07.03										
					UNIT: mm	Tolerance							
					SCALE: NONE	X.	±0.50						
				SHEET: 01/01	REV: B	X.X	±0.30						
						X.XX	±0.10						
						X°	±1°						