

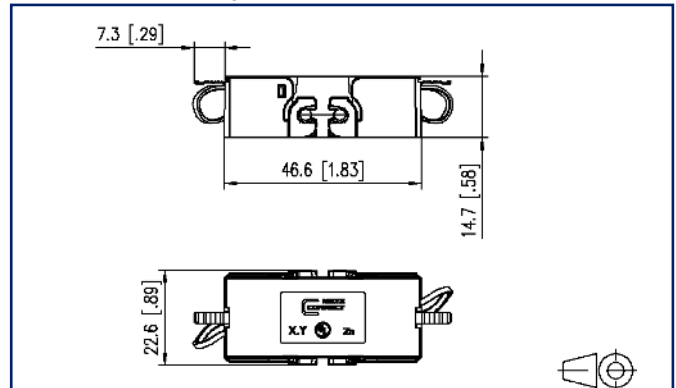
## Data sheet

### Cable connector class E<sub>A</sub> 180°

## Illustrations



Dimensional drawing



See enlarged drawings at the end of document

## Product specification

- Cable connector for field assembly Class E<sub>A</sub> for 8 wire cables (optionally also for 4 wire cables)
- Cable feed 180° continuous
- to connect / extend / repair / relocate copper data cables up to Cat.7<sub>A</sub>
- in combination with Cat. 6<sub>A</sub> or higher copper cables, class E<sub>A</sub> up to 500 MHz according to ISO/IEC 11801, DIN EN 50173 is fulfilled
- suitable for 10Gbit Ethernet (IEEE 802.3an), Remote Powering (PoE, PoE plus, UPoE and 4PPoE), HDBaseT, SAT-IP and AVoverIP
- Compact design, length 46.6 mm x width 14.7 mm x height 22.6 mm
- solid, one-piece and reusable housing refined with zinc die-casting
- simplest confection - mounting without special tools, strain relief via snap-in clip directly on the loading piece
- intelligent cable management in stuffer cap - also suitable for heavily twisted cables
- shield connection and strain relief integrated
- conductor assignment to T568A and T568B is directly printed on the stuffer cap
- Simple extension or relocation of existing infrastructure C6<sub>A</sub> modul through reusable loading pieces
- easy connection of data cables AWG 26/1 to 22/1 (solid wire) and AWG 26/7 to 22/7 (stranded wire) to insulation displacement connectors (IDC)
- solid copper wire diameter 0.409 to 0.643 mm
- stranded copper wire diameter 0.483 to 0.762 mm
- suitable for cables with an overall diameter of 5.5 to 10 mm
- fully shielded version according to DIN EN 50173



# P | Cabling

Data sheet

Page 2/8

## Cable connector class E<sub>A</sub> 180°

P/N

130863-04-E

EAN 4251394607900

2023/04/05

Version: C

### Technical Data

#### General Data

Fields of application	structured building cabling Industrial Ethernet office areas harsh environment Distributed building services data center
Mechanical measurement according to MICE	M1
Ingress measurement according to MICE	I1
Climatic measurement according to MICE	C1
Electromagnetic measurement according to MICE	E2
Design	cable connector
Shielding	shielded
Transmission technology	Copper
Wiring	T568A, T568B
Color	metallike
Dimensions	
Dimension (L x W x H)	46.61 mm x 14.7 mm x 22.6 mm
Dimension (L x W x H)	1.835 in. x 0.579 in. x 0.89 in.
Field assembly ability	yes

#### Transmission characteristics

Class (ISO/IEC)	E <sub>A</sub>
Remote Powering	yes
PoE	IEEE 802.3af
PoE plus	IEEE 802.3at
UPoE	yes
4PPoE	IEEE 802.3bt
HDBaseT	yes
Transmission rate up to 10 GBit	IEEE 802.3an

### Technical Data

Connections/interfaces	
Connector technology interface 1	IDC-connection
Connector technology interface 2	IDC-connection
Number of positions/contacts interface 1	8
Number of positions/contacts interface 2	8
Termination data, solid wire (min. - max.)	
Conductor cross section, solid wire	AWG 26/1 - AWG 22/1
Conductor cross section, solid wire	0.128 mm <sup>2</sup> - 0.324 mm <sup>2</sup>
Conductor diameter, solid wire (bare copper)	0.409 mm - 0.643 mm
Conductor diameter, solid wire (bare copper)	0.016 in. - 0.025 in.
Termination data, stranded wire (min. - max.)	
Conductor cross section, stranded wire	AWG 26/7 - AWG 22/7
Conductor cross section, stranded wire	0.141 mm <sup>2</sup> - 0.355 mm <sup>2</sup>
Conductor diameter, stranded wire (bare copper)	0.483 mm - 0.762 mm
Conductor diameter, stranded wire (bare copper)	0.019 in. - 0.03 in.
Aderdurchmesser (min.-max.)	
Core diameter (conductor with insulation)	1.6 mm
Core diameter (conductor with insulation)	0.063 in.
Cable sheath diameter (min. - max.)	
Cable sheath diameter	5.5 mm - 10.00 mm
Cable sheath diameter	0.197 in. - 0.394 in.
Cable access/outlet	180°
Reconnectibility	yes, if cross section is greater or the same
Ground connection	for cable plugs 2,8 mm/0,11 inch
Shield connection	flexible contact spring

### Electrical characteristics

Current carrying capacity	max. 1 A
Rated voltage	max. 50 V
Contact resistance	max. 20 mOhm
Through resistance	max. 200 mOhm
Insulation resistance	min. 500 MOhm
Dielectric strength conductor-conductor (secondary)	max. 1000 V DC





# P | Cabling

Data sheet

Page 5/8

**Cable connector class E<sub>A</sub> 180°**

P/N

130863-04-E

EAN 4251394607900

2023/04/05

Version: C

## Technical Data

### Standards/Regulations

Generic cabling systems

Living units	ISO/IEC 11801-4   DIN EN 50173-4 ANSI/TIA-570
Data centers	ISO/IEC 11801-5   DIN EN 50173-5 ANSI/TIA-942-B
Distributed building services	ISO/IEC 11801-6   DIN EN 50173-6 ANSI/TIA-862

Application-specific communications cabling systems

Profinet	yes
UL standard for Communications-Circuit Accessories	UL 1863
Industrial communication networks Installation in industrial premises	IEC 61918

### Classifications

ETIM 7.0	EC001121
ETIM 8.0	EC001121
ETIM 9.0	EC001121

# P | Cabling

Data sheet

Page 6/8

**Cable connector class E<sub>A</sub> 180°**

P/N

**130863-04-E**

**EAN 4251394607900**

2023/04/05

Version: C

## Accessories

P/N	Designation
130863T101E	Click & fix 19 inch frame for cable connector 1RU



# P | Cabling

Data sheet

Page 7/8

**Cable connector class E<sub>A</sub> 180°**

P/N

**130863-04-E**

**EAN 4251394607900**

2023/04/05

Version: C

## Accessories from

P/N	Designation
14040000-E	MCO IP69k protective housing for outdoor use, set for exposed installation
14040010-E	MCO IP69k Protective housing for outdoor use, set with mounting bracket
14040100-E	MCO IP69k Protective housing for outdoor use, set wall/ housing bushing

# P | Cabling

Data sheet

**Cable connector class E<sub>A</sub> 180°**

Page 8/8

P/N

130863-04-E

EAN 4251394607900

2023/04/05

Version: C

## Illustrations

Dimensional drawing

