

NOTE:

1. CABLE:

UL2725 80°C 30V [26AWG(1/0.404)*2F
 +AL/MY+DRAIN WIRE(1/0.32)*2]TIN
 INS: FOAM-PE OD: $\phi 1.1 \pm 0.05$ mm
 PVC JACKET OD: $\phi(2.2 \pm 0.1) * (7.8 \pm 0.2)$ mm COLOR: RED (PANTONE 200C)

2. CONNECTOR:

P1 & P2: SATA I 7P L TYPE PBT BLACK G/F W/METAL SHELL
 P3 & P4: SATA 7P GOLD FLASH CONTACT, W/METAL LATCH

3. HOOD: MOLDED TYPE, PVC 45P, COLOR: BLACK(NK-K01)

4. CABLE ASS'Y ELECTRICAL TEST:

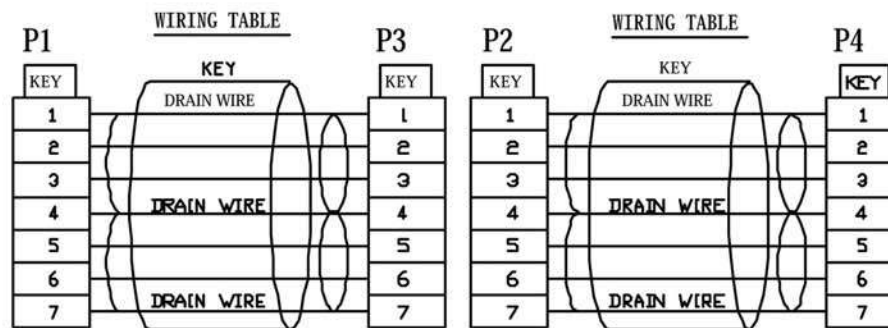
- 4-1 100% OPEN SHORT & MIS WIRE TEST
- 4-2 CONTACT RESISTANCE 3 OHM MAX
- 4-3 INSULATION RESISTANCE 10M OHM MIN
- 4-4 HI-POT DC300V/0.01SEC.

5. PACKING: SEE P-0039 REV.C PACKING DRAWING

(BINDING SIZE MUST BE SMALLER THAN BLISTER)

EAN CODE: 4016032180203.

6. BLISTER SIZE: DB VP4.



ITEM NO	AK-SATA-SB2-R
TITLE	Serial ATA 150 2 PORT Bracket, Slot Bracket W/2 SATA Port, .5M

ASSMANN
Electronics, Inc.

1840 W. Drake Drive, Suite 101 - Tempe, AZ 85283
 Toll Free: 1-877-277-6266 Email: info@usa-assmann.com

THIS DRAWING IS UNPUBLISHED
 © Copyright 2008 by Assmann Electronic Components
 All International Rights Reserved