

## Features

- 5-V Supply Voltage
- Gain-controlled 3-stage Wide-band IF Amplifier
- Active Carrier Generation by FPLL Principle (Frequency-Phase-Locked-Loop) for True Quadrature Demodulation
- Complete Alignment-free AM Demodulator
- Switchable Amplitude Detector for Gain Control, which Operates as a Peak Detector for FM Sound and as a Mean Level Detector for AM Sound
- Pb-free Package, which is Compliant with Requirements of RoHS



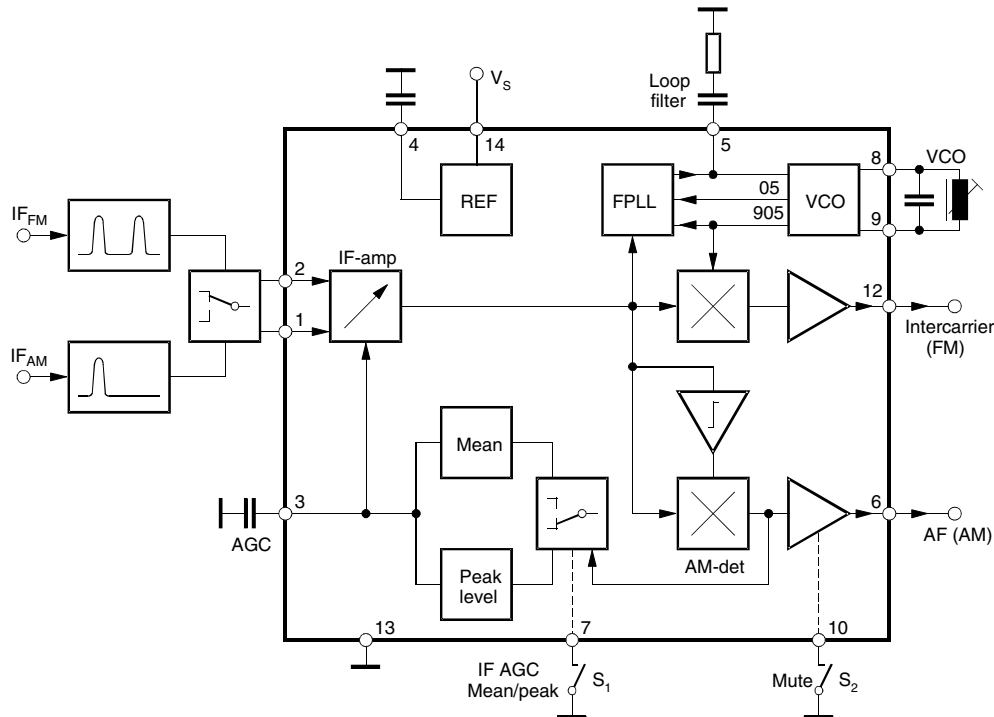
## Quasi-split Sound Circuit and AM Demodulator IC

## 1. Description

The U4468B is an integrated bipolar circuit for full multistandard sound IF signal processing in TV/VTR and multimedia applications. It supplies AM signals as well as FM/NICAM sound IF signals and thus allows the design of a universal sound IF module for various applications.

## U4468B

Figure 1-1. Block Diagram



## 2. Circuit Description

### 2.1 IF Amplifier and AGC

The symmetrical IF input signal from the external SAW filter is fed to the pins 1 and 2. In case of FM/NICAM applications, a SAW filter with double band-pass characteristic is required for the vision and sound carrier. In case of the L-standard, a band-pass filter with the center frequency at the L-sound carrier is used.

The amplifier consists of three AC-coupled wide-band IF stages. Each differential amplifier stage is gain controlled by the AGC (Automatic Gain Control) voltage, available at pin 3. The output signal of the IF amplifier is then applied to the FPLL carrier generation, to the mixer for FM/NICAM signals and to the AM demodulator.

The IF-AGC is derived from the average level of the AM carrier (L-standard) or from the peak value of the FM carrier (e.g., B/G standard). It controls the three-stage wide-band amplifier to provide a constant SIF signal to the AM demodulator or to the QSS (quasi-split sound) mixer.

### 2.2 Standard Switch

If the standard switch (pin 7) is in position “low” (for AM sound), the AGC is operating as an average level detector. In position “open” or “high” (for FM/NICAM sound), the AGC acts as a peak value detector.

### 2.3 Internal Voltage Stabilizer

The internal band gap reference voltage (4.25V at pin 4) ensures constant performance, independent of supply voltage and temperature.

### 2.4 FPLL, VCO

The FPLL (frequency-phase-locked loop) circuit consists of a frequency detector and a phase detector to generate a control voltage for the VCO tuning. In locked mode, the VCO is controlled by the phase detector while in unlocked mode, the frequency detector is superimposed. The VCO operates with an external resonance circuit (L and C parallel) and is controlled by integrated varicaps.

A practicable VCO alignment of the external coil is the adjustment of the loop filter voltage (pin 5) to 2.3 V. At this value, the capture and hold range are centered.

### 2.5 AM Demodulator

The alignment-free AM demodulator is realized by a synchronous detector. The modulated IF signal from the wide-band IF amplifier output is multiplied in phase with the limited SIF signal to remove the AM. Then, the resulting AF signal of the demodulator output is fed to the output amplifier and to the AGC stage.

### 2.6 Quasi-Split-Sound (QSS) Mixer

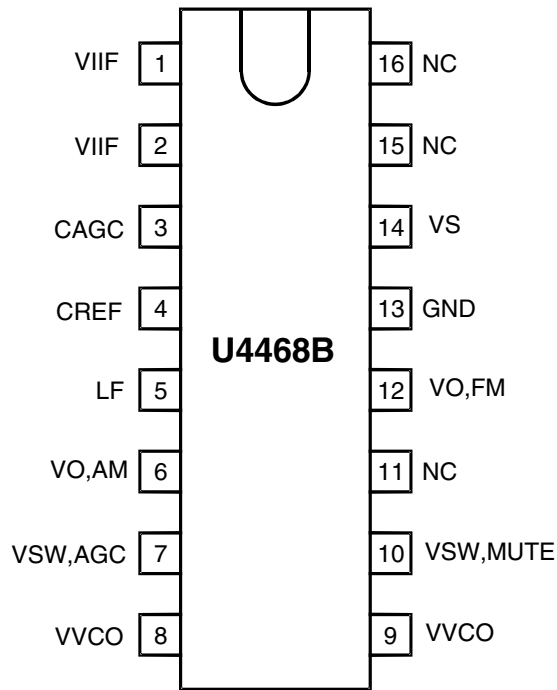
The QSS mixer is realized by a multiplier circuit. The IF signal (FM/NICAM) is converted to the intercarrier frequency by means of a quadrature signal from the generated picture carrier provided by the PLL. The intercarrier signal is fed via an output amplifier to pin 12.

### 2.7 Mute Switch

The AM sound output (pin 6) can be muted by switching the pulling mute switch (pin 10) to “low”.

### 3. Pin Configuration

**Figure 3-1.** Pinning DIP16



**Table 3-1.** Pin Description

Pin	Symbol	Function
1, 2	VI,IF	IF input (symmetrical)
3	CAGC	Capacitor for the AGC time constant
4	CREF	Capacitor for the internal reference voltage
5	LF	Loop filter
6	VO,FM	AF output (AM sound)
7	VSW,AGC	Standard switch
8, 9	VVCO	VCO circuit
10	VSW,MUTE	Mute switch
12	VO,FM	Intercarrier output (FM sound)
13	GND	Ground
14	VS	Supply voltage (5V)
11, 15, 16	NC	Not connected

## 4. Absolute Maximum Ratings

Stresses beyond those listed under “Absolute Maximum Ratings” may cause permanent damage to the device. This is a stress rating only and functional operation of the device at these or any other conditions beyond those indicated in the operational sections of this specification is not implied. Exposure to absolute maximum rating conditions for extended periods may affect device reliability.

Reference point pin 13, unless otherwise specified.

Parameters	Pin	Symbol	Value	Unit
Supply voltage range	14	$V_s$	4.5 to 9.0	V
Supply current	14	$I_s$	55	mA
Power dissipation ( $V_s = 9\text{ V}$ )		P	500	mW
Output currents	6, 12	$I_{out}$	5	mA
External voltages	1-4, 6, 12	$V_{ext}$	+4.5	V
	5, 8, 9		+3.5	V
	7, 10		$V_s$	V
Junction temperature		$T_j$	+125	°C
Operating temperature range		$T_{amb}$	0 to +85	°C
Storage temperature		$T_{stg}$	-25 to +125	°C
Electrostatic handling <sup>(1)</sup>	All	$V_{ESD}$	±300	V

Note: 1. Equivalent to discharging a 200-pF capacitor through a 0-Ω resistor

## 5. Thermal Resistance

Parameters	Symbol	Value	Unit
Junction ambient when soldered to PCB	$R_{thJA}$	60	K/W

## 6. Electrical Characteristics

$V_S = +5V$ ,  $T_{amb} = +25^\circ C$ ; reference point pin 13, unless otherwise specified.

Parameters	Test Conditions	Symbol	Min.	Typ.	Max.	Unit
<b>DC Supply (Pin 14)</b>						
Supply voltage		$V_S$	4.5	5.0	9.0	V
Supply current	$V_{in} = 10\text{ mV}$ or $V_3 = 2V$	$I_S$		40		mA
<b>IF Input (Pins 1, 2)</b>						
Minimum IF input signal	Output signal: -3 dB	$v_{in}$		50		$\mu V_{rms}$
Maximum IF input signal	Output signal: +1 dB	$v_{in}$	70	100		$mV_{rms}$
Input impedance	(1)	$R_{in}$		1.2		k $\Omega$
Input capacitance	(1)	$C_{in}$		2		pF
<b>SIF-AGC (Pin 3)</b>						
IF gain control range		$G_V$	60	65		dB
AGC capacitor		$C_{AGC}$		4.7		$\mu F$
<b>FPLL and VCO (Pins 5, 8, and 9)</b>						
Maximum oscillator frequency	For carrier generation	$f_{VCO}$	70			MHz
Vision carrier capture range	$f_{VCO} = 38.9\text{ MHz}$ $C_{VCO} = 6.2\text{ pF}$	$\Delta f_{cap}$	$\pm 1.5$	$\pm 2$		MHz
Oscillator drift (free running) as function of temperature	$\Delta T_{amb} = 55^\circ C$ , $f_{VCO} = 38.9\text{ MHz}$ $C_{VCO} = 6.2\text{ pF}^{(2)}$	$\Delta f/\Delta T$			-0.3	%
<b>Standard Switch (Pin 7)</b>						
Switching voltage for mode 1: FM/NICAM sound	Peak value control <sup>(3)</sup>	$V_{sw1}$	2.0		$V_S$	V
Switching voltage for mode 2: AM sound	Average level control	$V_{sw2}$	0		1.5	V
Switching current		$I_{sw}$		$\pm 100$		$\mu A$
<b>AM Mute Switch (Pin 10)</b>						
Switching voltage	AM output active	$V_{mute1}$		open		
Switching voltage	AM output switched off	$V_{mute2}$	0		1.5	V
Switching current		$I_{mute}$		-100		$\mu A$
<b>Intercarrier Output (Pin 12)<sup>(4)</sup></b>						
DC output voltage		$V_{DC}$		2		V
Output resistance	(1)	$R_{out}$			200	$\Omega$
Intercarrier output signal	$v_{in} = 10\text{ mV}$ 5.5 MHz output signal	$V_{out}$	100	150		$mV_{rms}$
Intercarrier bandwidth	-1 dB -3 dB	B		TBD TBD		MHz MHz

- Notes:
1. This parameter is given as an application information and is not tested during production.
  2. The oscillator drift is related to the picture carrier frequency, with an external temperature-compensated LC circuit.
  3. Without external control voltage (pin 7 open), the IC automatically operates in mode 1.
  4. Picture carrier  $PC = 38.9\text{ MHz}$ ; sound carrier  $SC_1 = 33.4\text{ MHz}$ ,  $SC_2 = 33.16\text{ MHz}$ ;  $PC/SC_1 = 13\text{ dB}$ ;  $PC/SC_2 = 20\text{ dB}$ ; PC unmodulated (equivalent to sync peak level).
  5. Sound carrier  $SC = 32.4\text{ MHz}$ , modulated with  $f_{mod} = 1\text{ kHz}$ ,  $m = 54\%$ ;  $v_{in} = 10\text{ mV}$ .

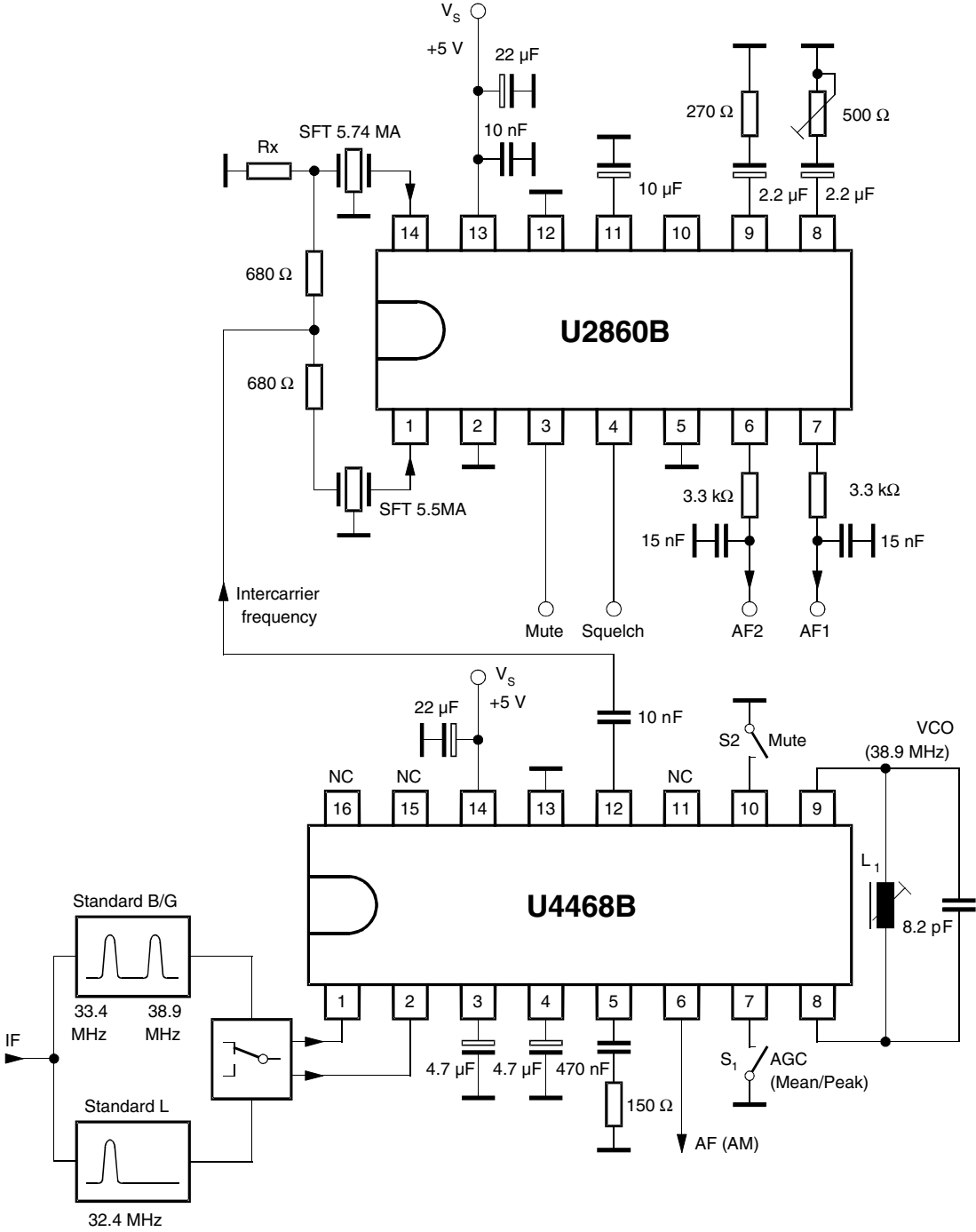
## 6. Electrical Characteristics (Continued)

$V_S = +5V$ ,  $T_{amb} = +25^\circ C$ ; reference point pin 13, unless otherwise specified.

Parameters	Test Conditions	Symbol	Min.	Typ.	Max.	Unit
Weighted signal-to-noise ratio (CCIR 468)	B/G mod. VIF signal: $v_{in} = 10$ mV FM deviation = $\pm 27$ kHz $f_{mod} = 1$ kHz Tested with U2860B Black screen: channel 1/2 Color bar: channel 1/2			60/58 58/56		dB dB
Ripple rejection	Tested from pin 14 to 12 <sup>(1)</sup>	RR	35			dB
Allowable AC output peak current		$I_{AC}$			$\pm 0.7$	mA
Allowable DC output current		$I_{DC}$			-2	mA
<b>AF Output - AM (Pin 6)</b>						
DC output voltage		$V_{DC}$		2.2		V
Output resistance	(1)	$R_{out}$			150	$\Omega$
AF output signal	$m = 54\%$ <sup>(5)</sup>	$V_{oAF}$		500		mV <sub>rms</sub>
AF bandwidth	-3 dB <sup>(5)</sup>	B		TBD		kHz
Total harmonic distortion	$m = 54\%$ $f_{mod} = 1$ kHz, 12.5 kHz	THD		1	2	%
Weighted signal-to-noise ratio (CCIR 468)	Reference: $m = 54\%$ <sup>(5)</sup> $f_{mod} = 1$ kHz	S/N		56		dB
Ripple rejection	Tested from pin 14 to 6 <sup>(1)</sup>	RR	28			dB
Allowable AC output peak current		$I_{AC}$			$\pm 0.3$	mA
Allowable DC output current		$I_{DC}$			-1	mA

- Notes:
1. This parameter is given as an application information and is not tested during production.
  2. The oscillator drift is related to the picture carrier frequency, with an external temperature-compensated LC circuit.
  3. Without external control voltage (pin 7 open), the IC automatically operates in mode 1.
  4. Picture carrier  $PC = 38.9$  MHz; sound carrier  $SC_1 = 33.4$  MHz,  $SC_2 = 33.16$  MHz;  $PC/SC_1 = 13$  dB;  $PC/SC_2 = 20$  dB; PC unmodulated (equivalent to sync peak level).
  5. Sound carrier  $SC = 32.4$  MHz, modulated with  $f_{mod} = 1$  kHz,  $m = 54\%$ ;  $v_{in} = 10$  mV.

Figure 6-1. Test Circuit



## 7. Internal Pin Configuration

Figure 7-1. Sound IF Inputs (Pins 1 and 2)

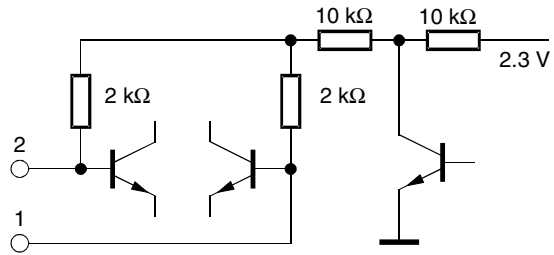


Figure 7-2. AGC Time Constant (Pin 3)

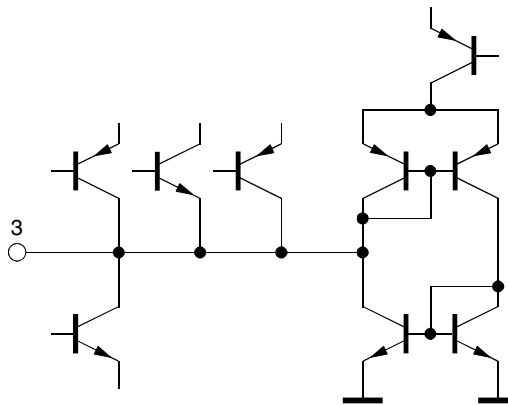


Figure 7-3. Internal Reference Voltage (Pin 4)

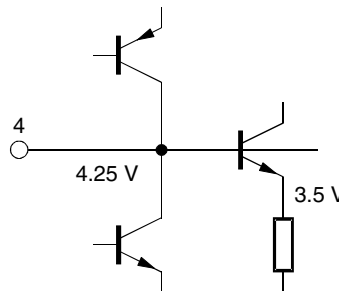


Figure 7-4. Loop Filter (Pin 5)

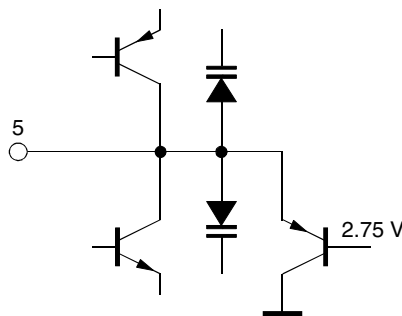




Figure 7-5. AM Output (Pin 6)

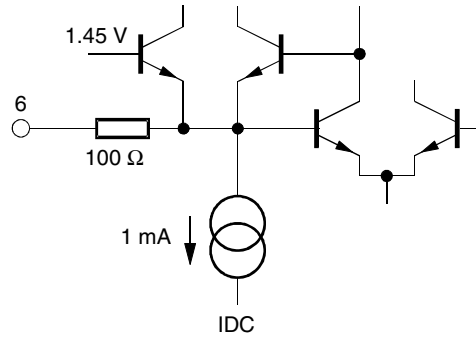


Figure 7-6. AGC Switch (Pin 7)

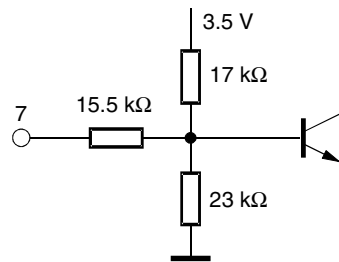


Figure 7-7. VCO (Pins 8 and 9)

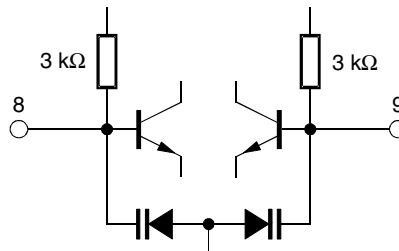
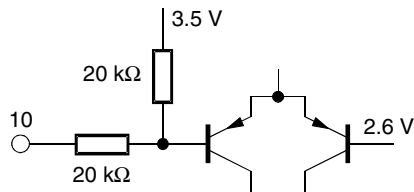
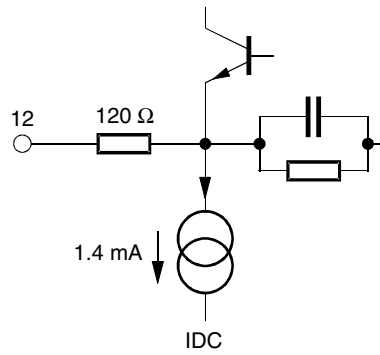


Figure 7-8. Mute Switch (Pin 10)



**Figure 7-9.** Intercarrier Output (Pin 12)

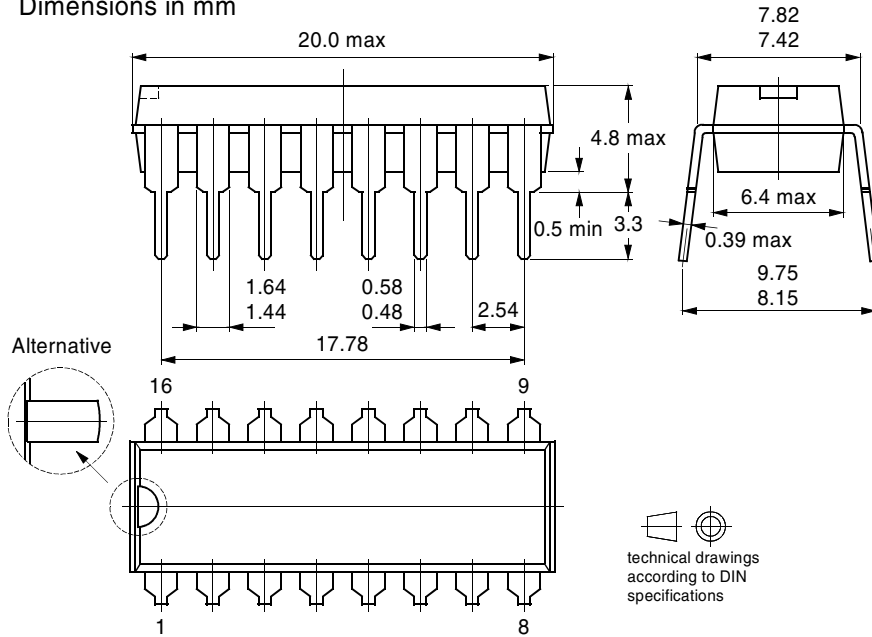


### 8. Ordering Information

Extended Type Number	Package	Remarks	Standard Package Quantity
U4468B-MG	DIP16, Pb-free	Tube	1,400

### 9. Package Information

Package DIP16  
Dimensions in mm





## Atmel Corporation

2325 Orchard Parkway  
San Jose, CA 95131, USA  
Tel: 1(408) 441-0311  
Fax: 1(408) 487-2600

## Regional Headquarters

### Europe

Atmel Sarl  
Route des Arsenaux 41  
Case Postale 80  
CH-1705 Fribourg  
Switzerland  
Tel: (41) 26-426-5555  
Fax: (41) 26-426-5500

### Asia

Room 1219  
Chinachem Golden Plaza  
77 Mody Road Tsimshatsui  
East Kowloon  
Hong Kong  
Tel: (852) 2721-9778  
Fax: (852) 2722-1369

### Japan

9F, Tonetsu Shinkawa Bldg.  
1-24-8 Shinkawa  
Chuo-ku, Tokyo 104-0033  
Japan  
Tel: (81) 3-3523-3551  
Fax: (81) 3-3523-7581

## Atmel Operations

### Memory

2325 Orchard Parkway  
San Jose, CA 95131, USA  
Tel: 1(408) 441-0311  
Fax: 1(408) 436-4314

### Microcontrollers

2325 Orchard Parkway  
San Jose, CA 95131, USA  
Tel: 1(408) 441-0311  
Fax: 1(408) 436-4314

La Chantrerie  
BP 70602  
44306 Nantes Cedex 3, France  
Tel: (33) 2-40-18-18-18  
Fax: (33) 2-40-18-19-60

### ASIC/ASSP/Smart Cards

Zone Industrielle  
13106 Rousset Cedex, France  
Tel: (33) 4-42-53-60-00  
Fax: (33) 4-42-53-60-01

1150 East Cheyenne Mtn. Blvd.  
Colorado Springs, CO 80906, USA  
Tel: 1(719) 576-3300  
Fax: 1(719) 540-1759

Scottish Enterprise Technology Park  
Maxwell Building  
East Kilbride G75 0QR, Scotland  
Tel: (44) 1355-803-000  
Fax: (44) 1355-242-743

### RF/Automotive

Theresienstrasse 2  
Postfach 3535  
74025 Heilbronn, Germany  
Tel: (49) 71-31-67-0  
Fax: (49) 71-31-67-2340

1150 East Cheyenne Mtn. Blvd.  
Colorado Springs, CO 80906, USA  
Tel: 1(719) 576-3300  
Fax: 1(719) 540-1759

### Biometrics/Imaging/Hi-Rel MPU/ High Speed Converters/RF Datacom

Avenue de Rochepleine  
BP 123  
38521 Saint-Egreve Cedex, France  
Tel: (33) 4-76-58-30-00  
Fax: (33) 4-76-58-34-80

---

### Literature Requests

[www.atmel.com/literature](http://www.atmel.com/literature)

**Disclaimer:** The information in this document is provided in connection with Atmel products. No license, express or implied, by estoppel or otherwise, to any intellectual property right is granted by this document or in connection with the sale of Atmel products. **EXCEPT AS SET FORTH IN ATMEL'S TERMS AND CONDITIONS OF SALE LOCATED ON ATMEL'S WEB SITE, ATMEL ASSUMES NO LIABILITY WHATSOEVER AND DISCLAIMS ANY EXPRESS, IMPLIED OR STATUTORY WARRANTY RELATING TO ITS PRODUCTS INCLUDING, BUT NOT LIMITED TO, THE IMPLIED WARRANTY OF MERCHANTABILITY, FITNESS FOR A PARTICULAR PURPOSE, OR NON-INFRINGEMENT. IN NO EVENT SHALL ATMEL BE LIABLE FOR ANY DIRECT, INDIRECT, CONSEQUENTIAL, PUNITIVE, SPECIAL OR INCIDENTAL DAMAGES (INCLUDING, WITHOUT LIMITATION, DAMAGES FOR LOSS OF PROFITS, BUSINESS INTERRUPTION, OR LOSS OF INFORMATION) ARISING OUT OF THE USE OR INABILITY TO USE THIS DOCUMENT, EVEN IF ATMEL HAS BEEN ADVISED OF THE POSSIBILITY OF SUCH DAMAGES.** Atmel makes no representations or warranties with respect to the accuracy or completeness of the contents of this document and reserves the right to make changes to specifications and product descriptions at any time without notice. Atmel does not make any commitment to update the information contained herein. Unless specifically provided otherwise, Atmel products are not suitable for, and shall not be used in, automotive applications. Atmel's products are not intended, authorized, or warranted for use as components in applications intended to support or sustain life.

© Atmel Corporation 2005. All rights reserved. Atmel®, logo and combinations thereof, Everywhere You Are® and others, are registered trademarks or trademarks of Atmel Corporation or its subsidiaries. Other terms and product names may be trademarks of others.



Printed on recycled paper.

4777B-TVVCR-07/05