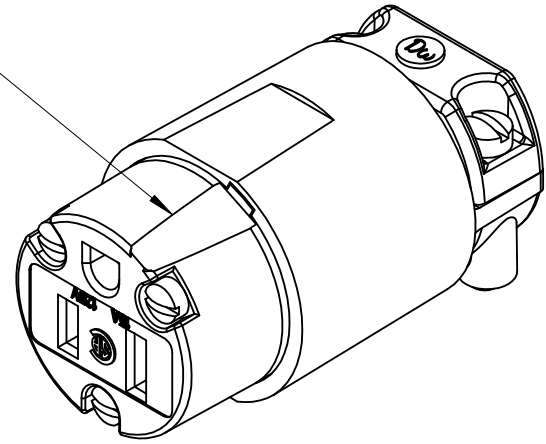
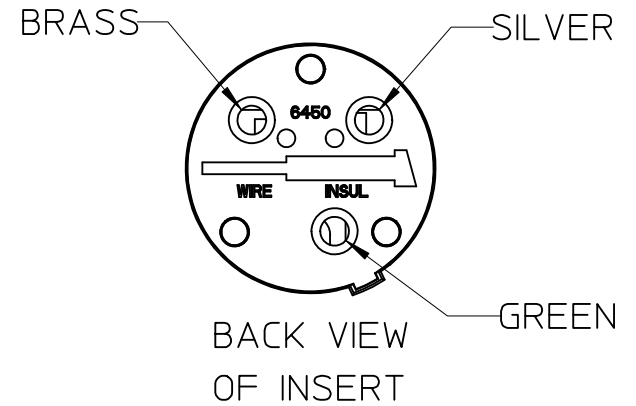
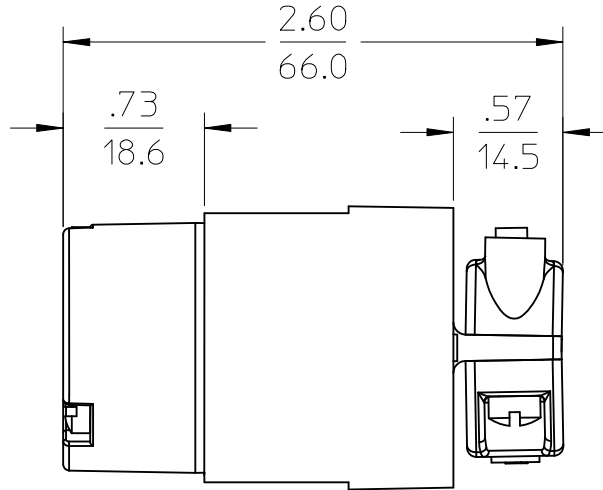
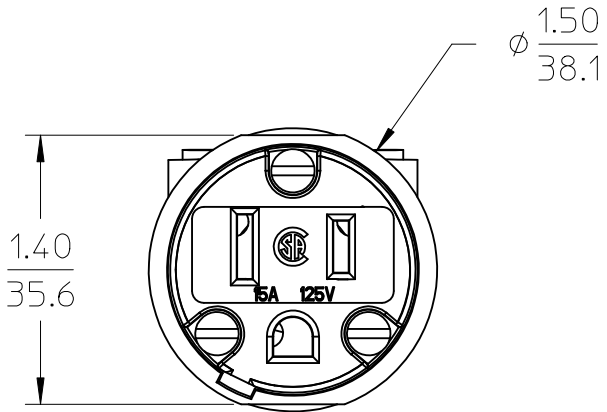


KEY REMOVED



MATERIAL #	ENGINEERING#
1301440093	85547HHG



CUSTOMER DRAWING EC NO: WNA2010-0804 DRWN:HKNEELAND 2010/06/30 CHKD:CYORK 2010/07/20 APPR:DTITUS 2010/07/23	REV	DESCRIPTION
	A	

QUALITY SYMBOLS
▼=0
▽=0

GENERAL TOLERANCES (UNLESS SPECIFIED)		
	mm	INCH
4 PLACES	± .005	± .0005
3 PLACES	± .010	± .0010
2 PLACES	± 0.13	± .010
1 PLACE	± 0.25	± .020
ANGULAR ±1/2°		
DRAFT WHERE APPLICABLE MUST REMAIN WITHIN DIMENSIONS		

DIMENSION STYLE	
IN/MM	
DRAWN BY	DATE
HKNEELAND	2010/06/30
CHECKED BY	DATE
CYORK	2010/07/20
APPROVED BY	DATE
DTITUS	2010/07/23
MATERIAL NO.	
85547HHG	

SCALE	DESIGN UNITS	THIRD ANGLE PROJECTION	
1:1	INCH		
TITLE			
HOSPITAL GRADE NEMA 5-15 CONNECTOR MODIFIED FOR HOLLISTER			
MOLEX INCORPORATED			
DOCUMENT NO.		SHEET NO.	
SD-130144-004		1 OF 1	