

zQSFP+

zSFP+

- NOTES:
- MATERIALS:
 - RAW CABLE- 2 TWIN-AX PAIRS, PVC JACKET
 - PCB - HALOGEN FREE, UL94 V-0
 - BACKSHELLS - ZINC DIECAST WITH BRIGHT NICKEL PLATING
 - RIVETS - STAINLESS STEEL
 - IMPEDANCE - 100 OHMS DIFFERENTIAL
 - RoHS COMPLIANT, NO EXEMPTIONS

SYMBOLS	THIS DRAWING CONTAINS INFORMATION THAT IS PROPRIETARY TO MOLEX ELECTRONIC TECHNOLOGIES, LLC AND SHOULD NOT BE USED WITHOUT WRITTEN PERMISSION		CURRENT REV DESC: UPDATED LABEL DIM		
	DIMENSION UNITS	SCALE			
▽ = 0	mm				ZQSFP+ TO 4ZSFP+ 25G CBL ASSY
▽ = 0	GENERAL TOLERANCES (UNLESS SPECIFIED)				
▽ = 0	ANGULAR TOL ± 1.0°			EC NO: 607196	PRODUCT CUSTOMER DRAWING
▽ = 0	4 PLACES ±			DRWN: GSARVADE 2018/10/31	
▽ = 0	3 PLACES ±			CHK'D: GSARVADE 2018/11/08	DOCUMENT NUMBER: 1003450001
▽ = 0	2 PLACES ± 0.13			APPR: KNAGANNA 2018/11/08	
▽ = 0	1 PLACE ± 0.25			INITIAL REVISION:	DOC TYPE: PSD
▽ = 0	0 PLACES ±			DRWN: BCHEN06 2017/01/10	DOC PART: 000
▽ = 0	DRAFT WHERE APPLICABLE MUST REMAIN WITHIN DIMENSIONS	THIRD ANGLE PROJECTION	DRAWING	SERIES	REVISION: G
▽ = 0			D-SIZE	100345	SHEET NUMBER: 1 OF 3
			SEE P/N TABLE	CUSTOMER: GENERAL MARKET	

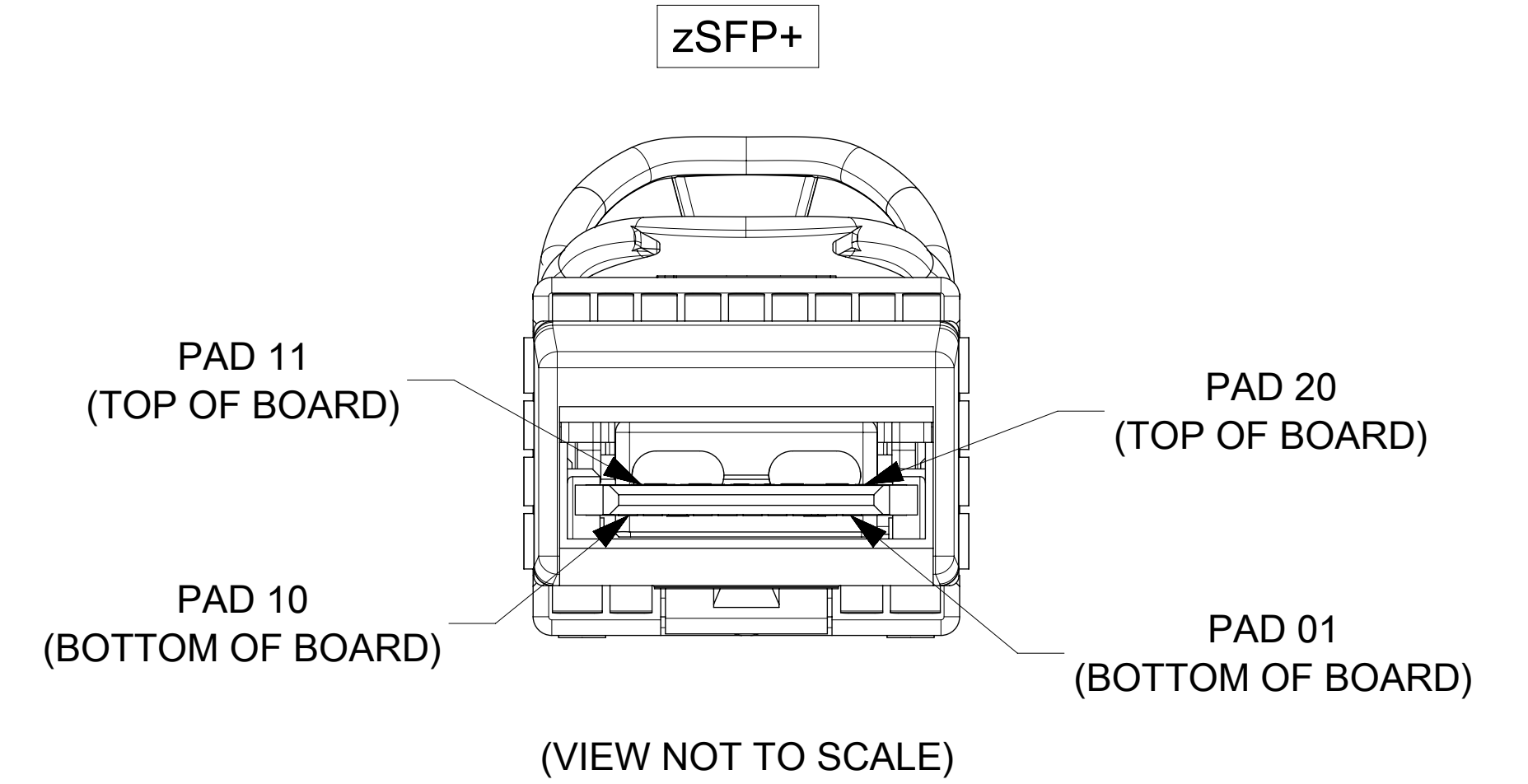
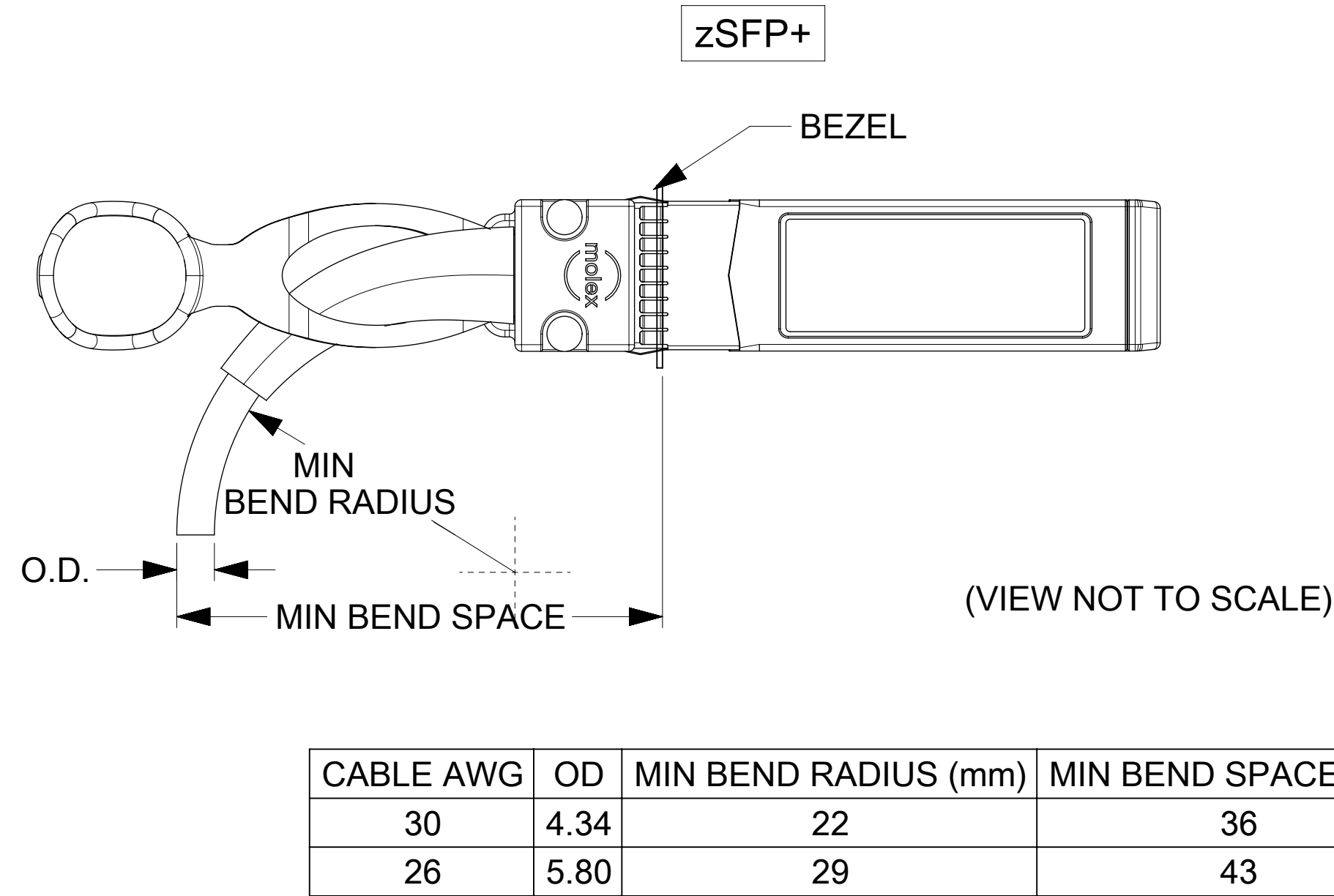
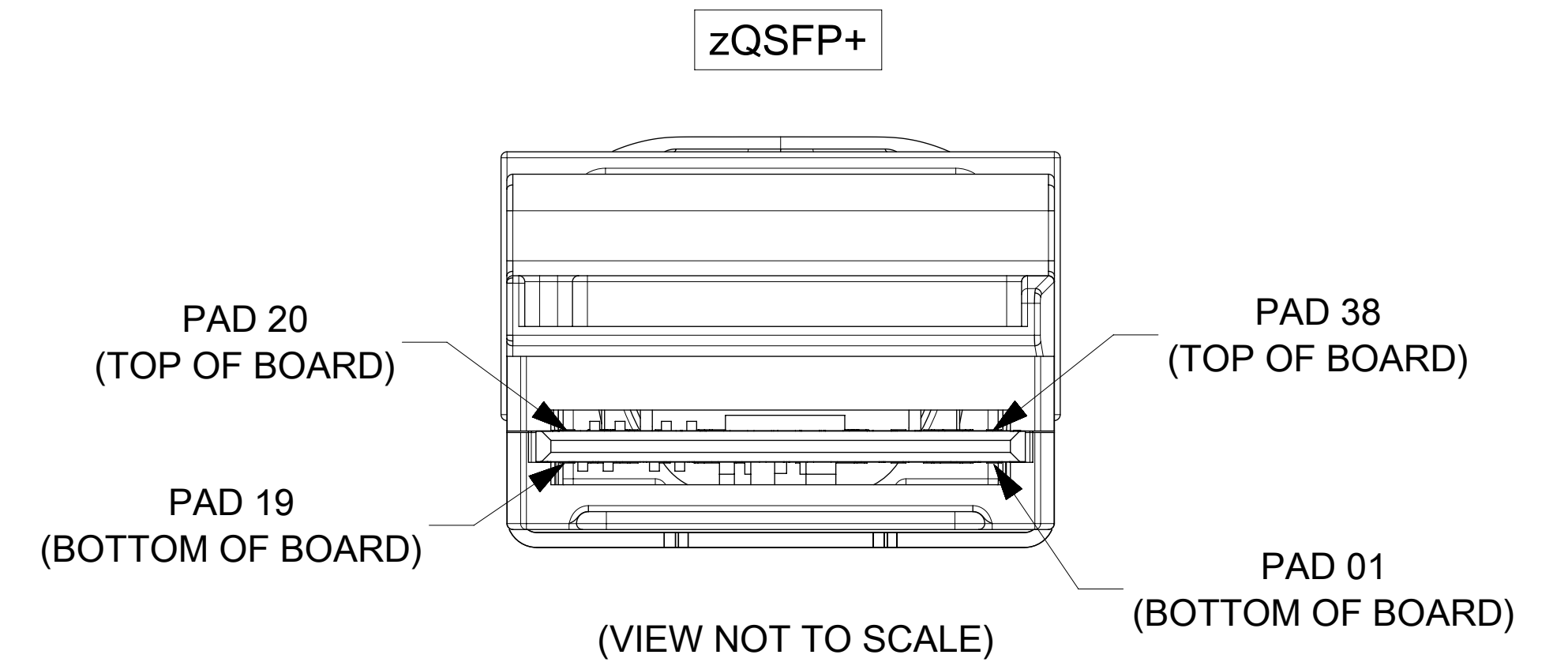
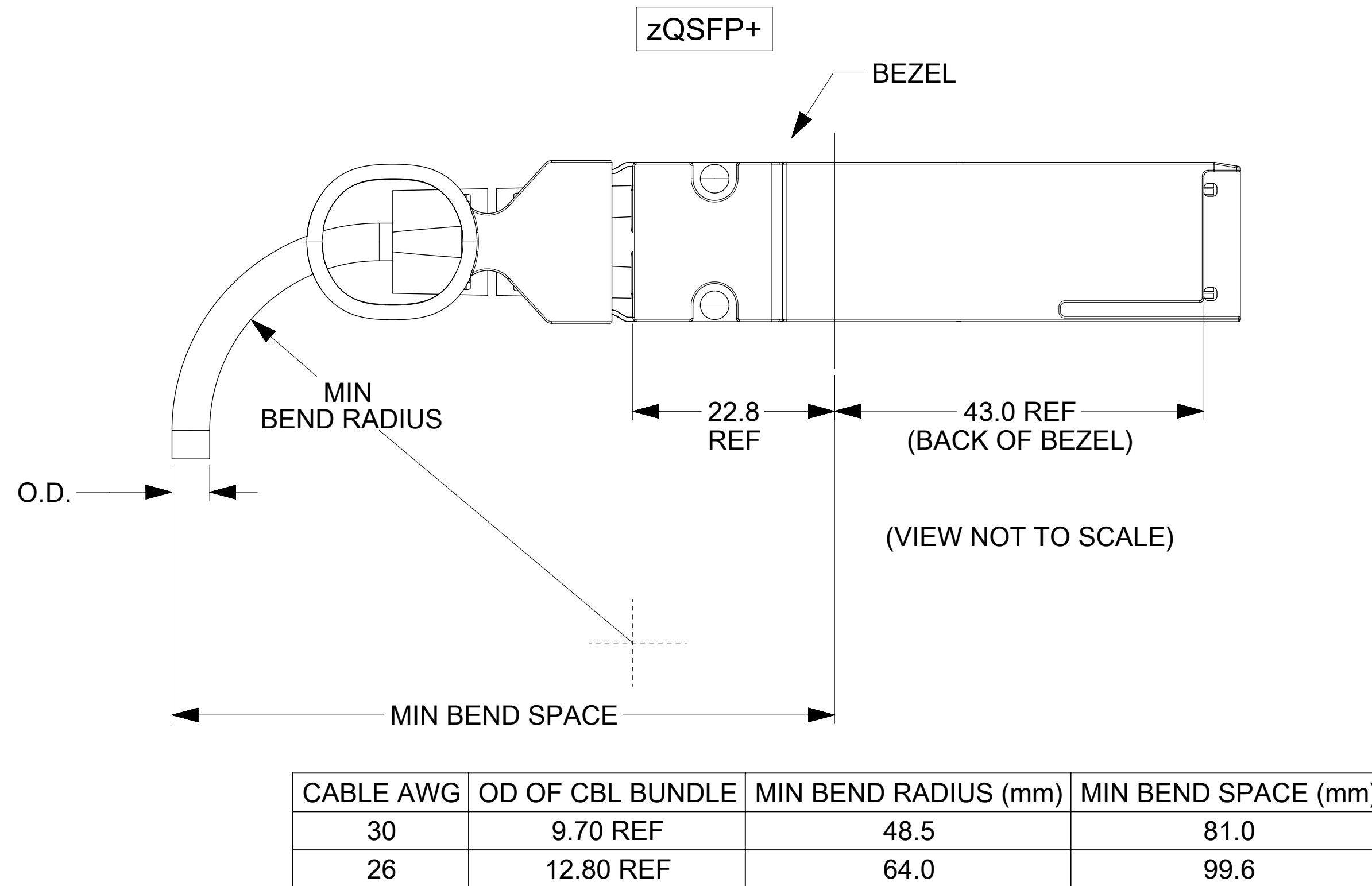
WIRING DIAGRAM					
zQSFP+		zSFP+		PLUG	
PAD	SIGNAL	SIGNAL	PAD		
38	GND	----	GND	A	
37	TX1-	--->	RD-		12
36	TX1+	--->	RD+		13
19	GND	----	GND		18
17	RX1+	<---	TD+	18	
18	RX1-	<---	TD-	19	
01	GND	----	GND	B	
02	TX2-	--->	RD-		12
03	TX2+	--->	RD+		13
20	GND	----	GND		18
22	RX2+	<---	TD+	18	
21	RX2-	<---	TD-	19	
35	GND	----	GND	C	
34	TX3-	--->	RD-		12
33	TX3+	--->	RD+		13
16	GND	----	GND		18
14	RX3+	<---	TD+	18	
15	RX3-	<---	TD-	19	
04	GND	----	GND	D	
05	TX4-	--->	RD-		12
06	TX4+	--->	RD+		13
23	GND	----	GND		18
25	RX4+	<---	TD+	18	
24	RX4-	<---	TD-	19	

LOW SPEED SIGNALS zQSFP+	
PAD	SIGNAL
08	ModSelL
09	ResetL
10	VccRx
11	SCL
12	SDA
27	ModPrsL
28	IntL
29	VccTx
30	Vcc1
31	LPMODE

LOW SPEED SIGNALS zSFP+	
PAD	SIGNAL
02	Tx_Fault
03	Tx_Disable
04	SDA
05	SCL
06	Mod_ABS
07	RS0
08	Rx_LOS
09	RS1
15	VccR
16	VccT

LEGEND:
 ---- = DRAIN LINES
 ---> = TRANSMIT TO RECEIVE ON HIGH SPEED CIRCUITS

CABLE BEND RADIUS



SYMBOLS	THIS DRAWING CONTAINS INFORMATION THAT IS PROPRIETARY TO MOLEX ELECTRONIC TECHNOLOGIES, LLC AND SHOULD NOT BE USED WITHOUT WRITTEN PERMISSION		CURRENT REV DESC: UPDATED LABEL DIM	
	DIMENSION UNITS	SCALE		
▽ = 0	mm			
▽ = 0	GENERAL TOLERANCES (UNLESS SPECIFIED)			
▽ = 0	ANGULAR TOL	± 1.0°	EC NO: 607196	
▽ = 0	4 PLACES	±	DRWN: GSARVADE	2018/10/31
▽ = 0	3 PLACES	±	CHK'D: GSARVADE	2018/11/08
▽ = 0	2 PLACES	± 0.13	APPR: KNAGANNA	2018/11/08
▽ = 0	1 PLACE	± 0.25	INITIAL REVISION:	
▽ = 0	0 PLACES	±	DRWN: BCHEN06	2017/01/10
▽ = 0	DRAFT WHERE APPLICABLE MUST REMAIN WITHIN DIMENSIONS		APPR: ADTUCKER	2017/01/18
▽ = 0	THIRD ANGLE PROJECTION		DRAWING	SERIES
	D-SIZE		100345	
DOCUMENT STATUS		P1	RELEASE DATE	2018/11/08 09:49:32

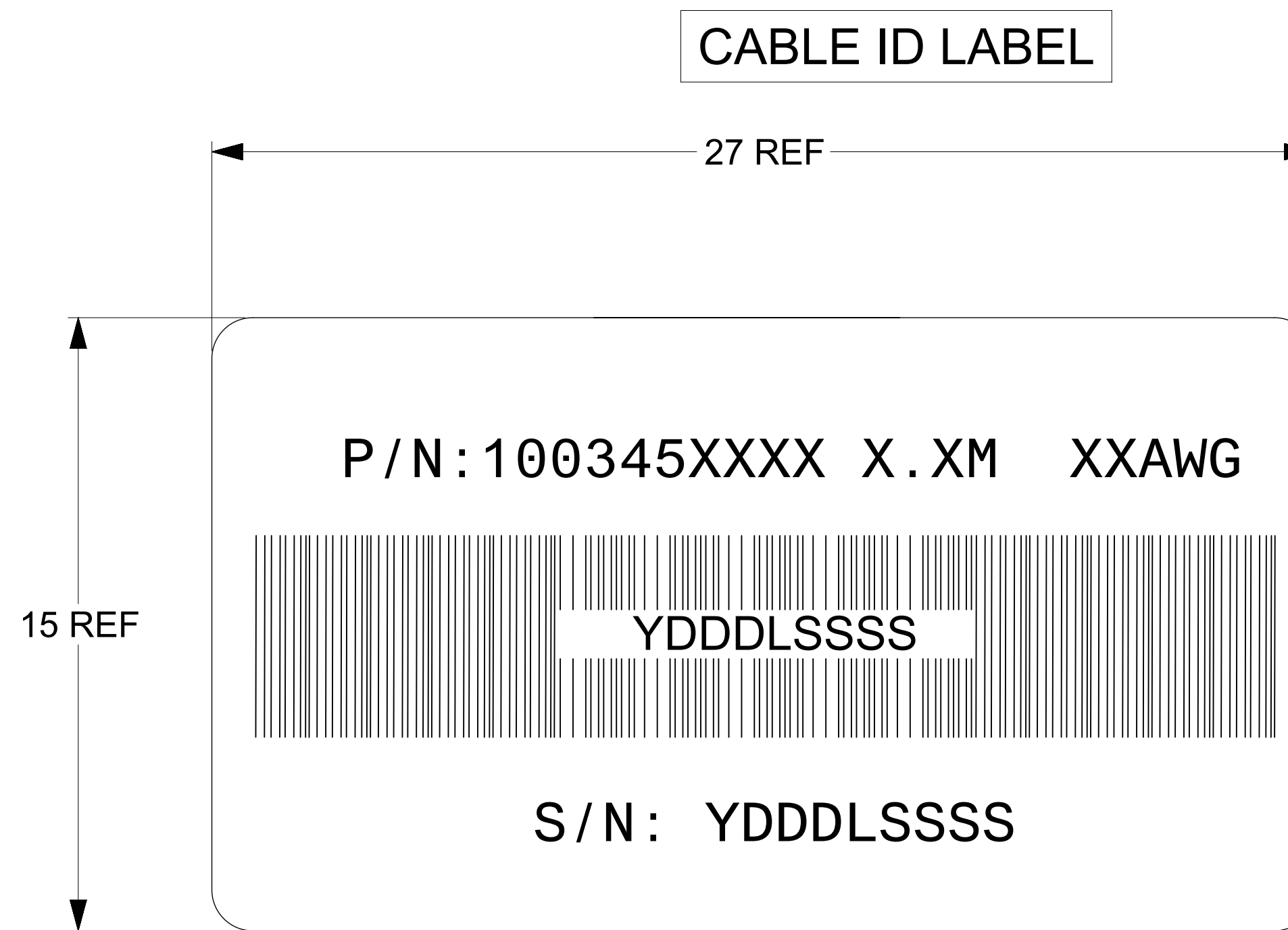
ZQSFP+ TO 4ZSFP+ 25G CBL ASSY

PRODUCT CUSTOMER DRAWING

DOCUMENT NUMBER	DOC TYPE	DOC PART	REVISION
1003450001	PSD	000	G

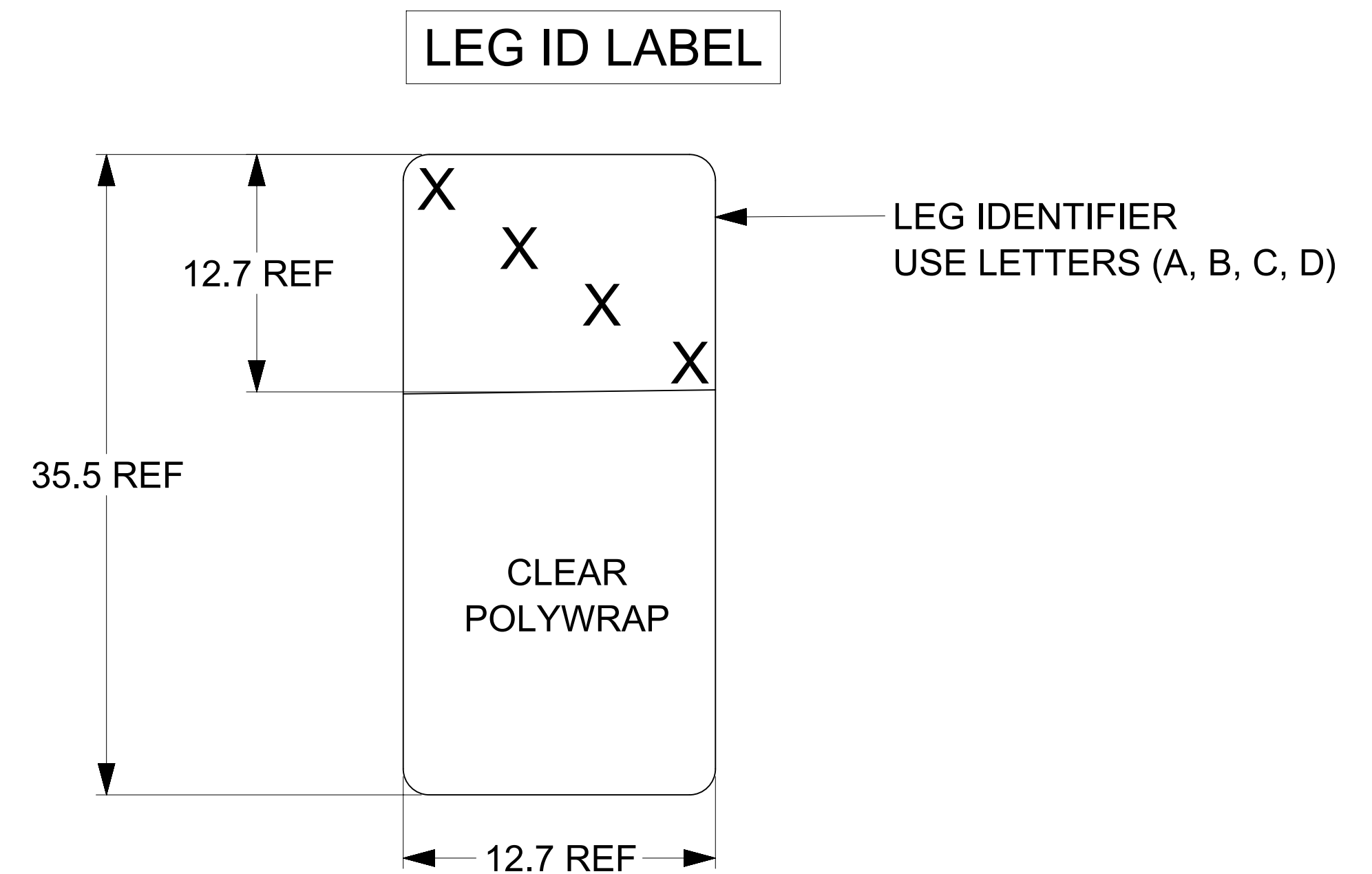
MATERIAL NUMBER: 100345 CUSTOMER: GENERAL MARKET SHEET NUMBER: 2 OF 3

MOLEX P/N	CABLE LENGTH (M)	CABLE L'TH TOL (mm)	AWG	CBL MFG
1003451051	0.5	±30	30	TEMPFLEX
1003451101	1.0	±50	30	TEMPFLEX
1003451151	1.5	±50	30	TEMPFLEX
1003451201	2.0	±50	30	TEMPFLEX
1003451251	2.5	±50	30	TEMPFLEX
1003451301	3.0	±50	30	TEMPFLEX
1003453301	3.0	±50	26	TEMPFLEX
1003453351	3.5	±50	26	TEMPFLEX
1003453401	4.0	±50	26	TEMPFLEX
1003453451	4.5	±50	26	TEMPFLEX
1003453501	5.0	±80	26	TEMPFLEX



P/N (SEE P/N TABLE)
X.XM = LENGTH AS SHOWN IN TABLE
XXAWG = AWG SIZE

YDDLSSSS
Y = LAST DIGIT OF THE YEAR
DDD = DAY OF THE YEAR
L = LOCATION
1 = US
2 = MEXICO
3 = CHINA
4 = PHILIPPINES
SSSS = (0001-9999)



LEG IDENTIFIER
USE LETTERS (A, B, C, D)

SYMBOLS	THIS DRAWING CONTAINS INFORMATION THAT IS PROPRIETARY TO MOLEX ELECTRONIC TECHNOLOGIES, LLC AND SHOULD NOT BE USED WITHOUT WRITTEN PERMISSION		
	DIMENSION UNITS	SCALE	CURRENT REV DESC: UPDATED LABEL DIM
▽ = 0	mm		molex ZQSFP+ TO 4ZSFP+ 25G CBL ASSY PRODUCT CUSTOMER DRAWING
▽ = 0	GENERAL TOLERANCES (UNLESS SPECIFIED)		
▽ = 0	ANGULAR TOL	± 1.0°	
▽ = 0	4 PLACES	±	
▽ = 0	3 PLACES	±	
▽ = 0	2 PLACES	± 0.13	EC NO: 607196 DRWN: GSARVADE 2018/10/31 CHK'D: GSARVADE 2018/11/08 APPR: KNAGANNA 2018/11/08 INITIAL REVISION: DRWN: BCHEN06 2017/01/10 APPR: ADTUCKER 2017/01/18
▽ = 0	1 PLACE	± 0.25	
▽ = 0	0 PLACES	±	
□ = 0	DRAFT WHERE APPLICABLE MUST REMAIN WITHIN DIMENSIONS		THIRD ANGLE PROJECTION DRAWING SERIES D-SIZE 100345
▽ = 0			DOCUMENT NUMBER: 1003450001 DOC TYPE: PSD DOC PART: 000 REVISION: G MATERIAL NUMBER: SEE P/N TABLE CUSTOMER: GENERAL MARKET SHEET NUMBER: 3 OF 3