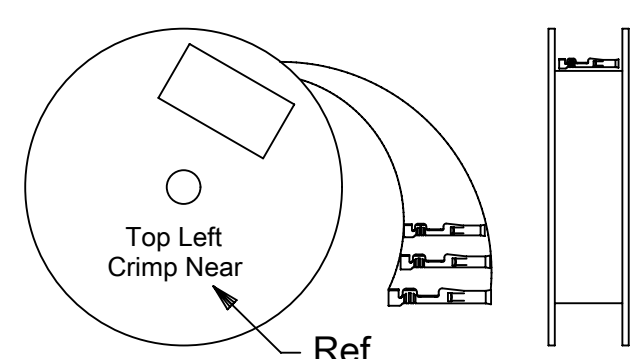
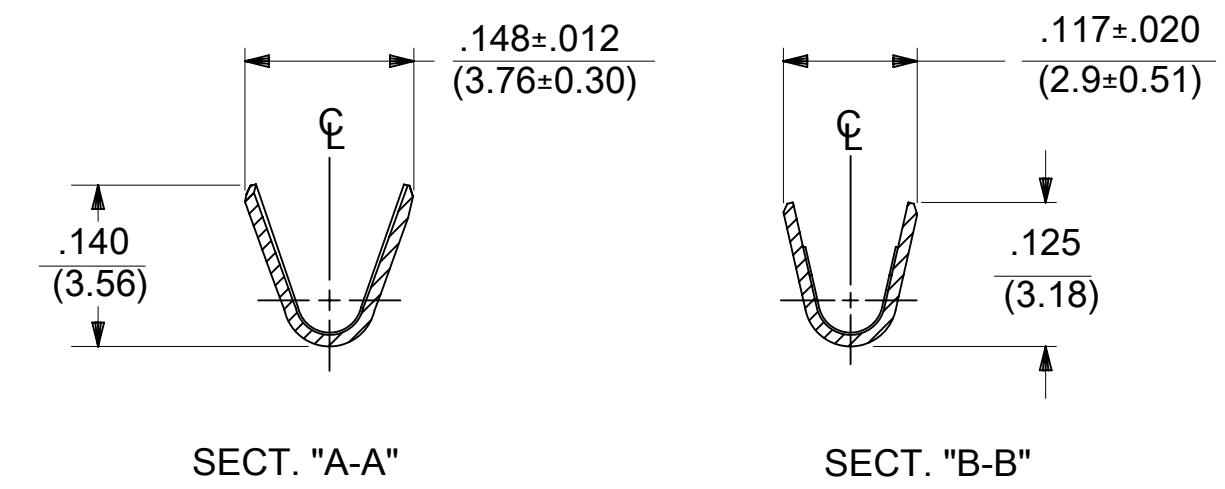
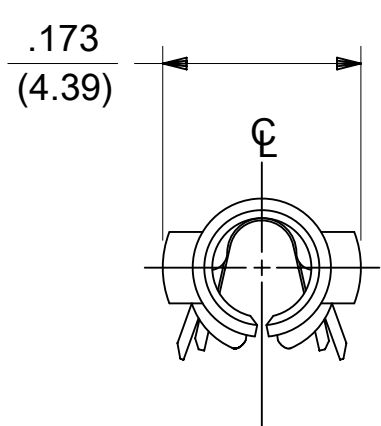
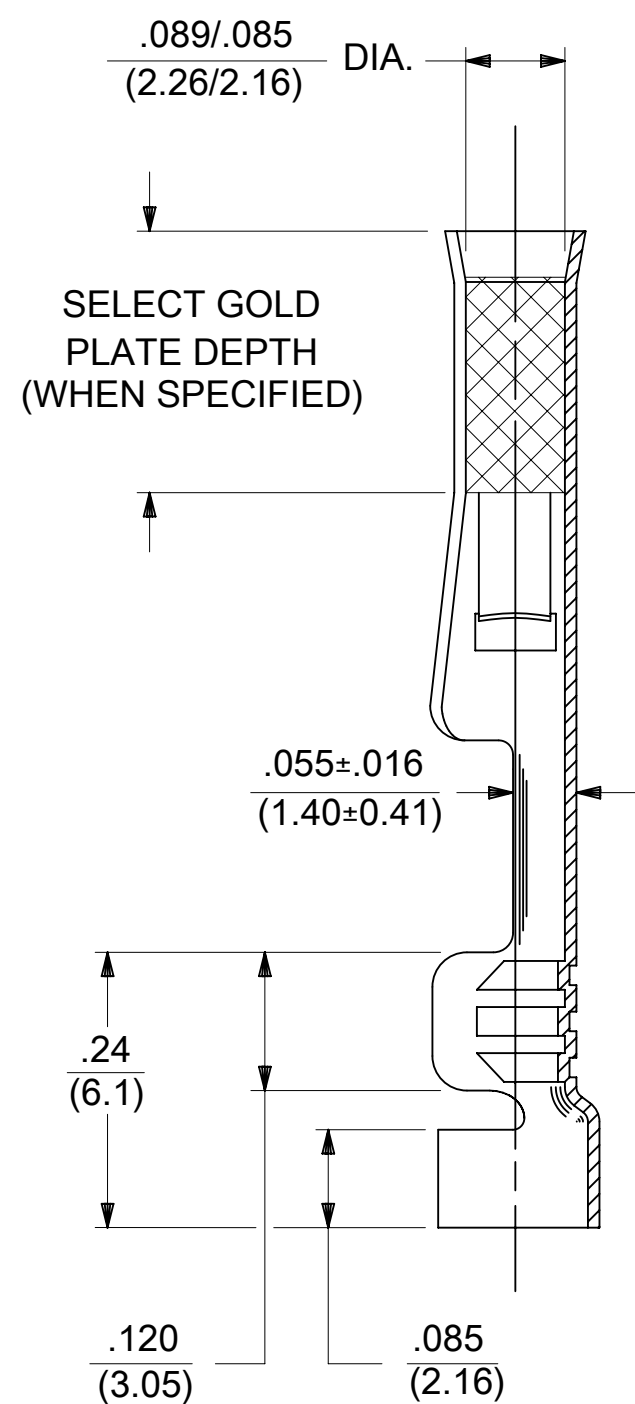
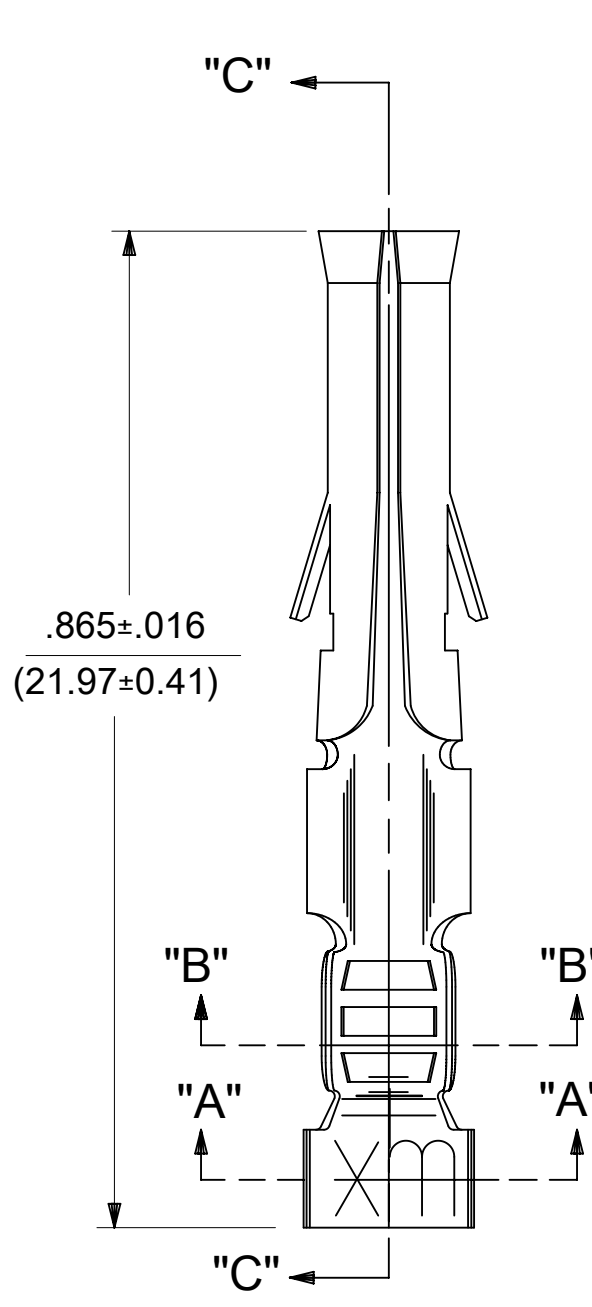


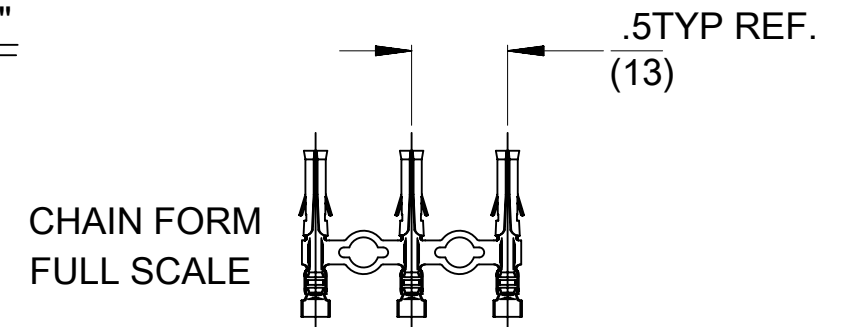
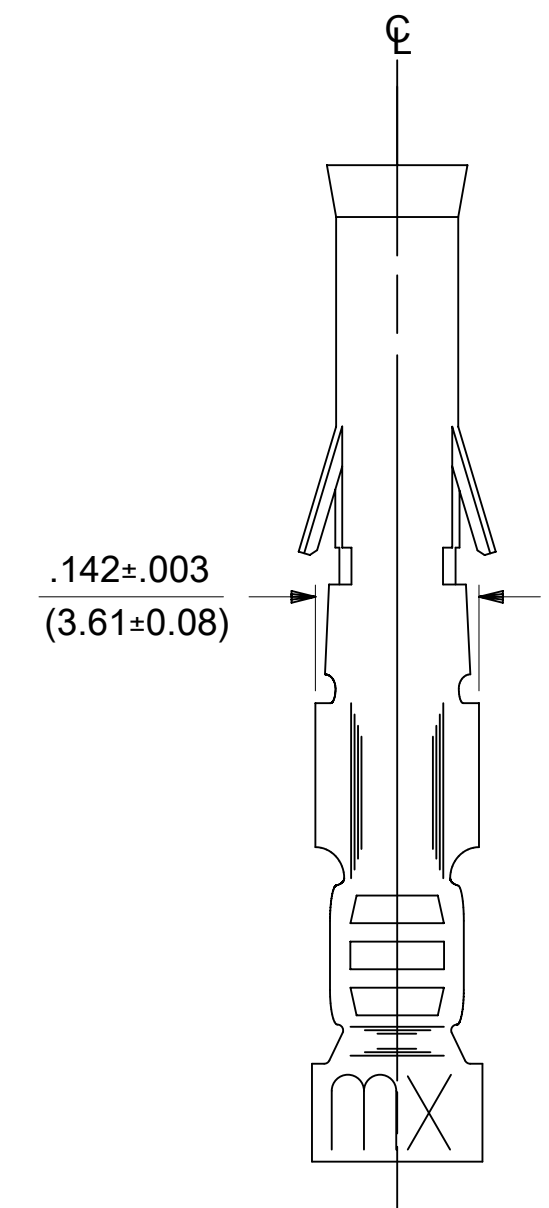
PART NO.	ENG NO.
02-09-1119	1381-A(P901)L
02-09-1117	1381-A(P901)
02-09-5142	1381-A(P550)L
02-09-5143	1381-A(P550)



STANDARD CHAIN



SECT. "C-C"



LEGEND
1381-A(****)*

- P = PREPLATE
- BLANK = POSTPLATE
- FORM BLANK = STD. CHAIN
- 1 = STD. CHAIN WITH INTERLEAF PAPER
- L = LOOSE
- FINISH CODE

- NOTES:
- MATERIAL: BRASS
 - FINISH:
 - 901 HOT TIN DIP .000020/(0.00051) MIN.
 - 591 SELECT GOLD PLATE .000050/(0.00127) MIN. IN CONTACT AREA. OVER .000050/(0.00127) MIN. NICKEL OVERALL WITH .000010/(0.00025) MAX. GOLD FLASH OVERALL.
 - 550 SELECT GOLD PLATE .000015/(0.00038) MIN. IN CONTACT AREA, OVER .000030/(0.00076) MIN. NICKEL OVERALL WITH .000010/(0.00025) MAX. GOLD FLASH OVERALL.
 - PRODUCT SPECIFICATION PS-43660-9999.
 - PACKAGING INFORMATION: NOT AVAILABLE
 - TERMINAL FOR USE WITH .093/(2.36) SERIES HOUSINGS AND WILL ACCEPT 18-22 AWG WIRE
 - INSERTION FORCE: 3.5 LBS. MAX. WHEN TERMINAL IS INSERTED INTO AN .093 SERIES HOUSING.
 - TERMINAL RETENTION: 20 LBS. MIN. FROM HOUSING.

THIS DRAWING CONTAINS INFORMATION THAT IS PROPRIETARY TO MOLEX ELECTRONIC TECHNOLOGIES, LLC AND SHOULD NOT BE USED WITHOUT WRITTEN PERMISSION									
DIMENSION UNITS IN/MM		SCALE 6:1		CURRENT REV DESC: REMOVED OBSOLETE PART NUMBER AS PER PCN#509450.				molex	
GENERAL TOLERANCES (UNLESS SPECIFIED)				EC NO: 694111					
				DRWN: SUGEEB 2022/01/24				CRIMP TERMINAL, FEMALE .093/(2.36) DIA. 18-22 AWG	
				CHK'D: GGA 2022/03/31				PRODUCT CUSTOMER DRAWING	
				APPR: GGA 2022/03/31				DOCUMENT NUMBER	
				INITIAL REVISION:				DOC TYPE DOC PART REVISION	
				DRWN: GEP 1987/11/06				SD-1381-X	
				APPR: RAS 1987/11/06				PSD 001 BY1	
DRAFT WHERE APPLICABLE MUST REMAIN WITHIN DIMENSIONS		THIRD ANGLE PROJECTION		DRAWING		SERIES		MATERIAL NUMBER	
				C-SIZE		1381		SEE TABLE	
				CUSTOMER		GENERAL MARKET		SHEET NUMBER	
								1 OF 1	