
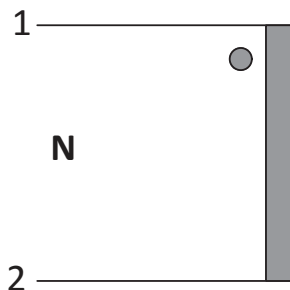
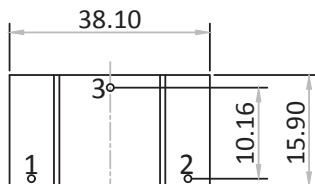
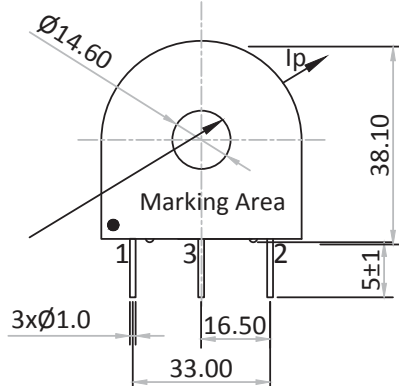


| | | |
|-------------------|---------------------|---|
| Product Type | Current Transformer |  |
| Amgis Part Number | CCX-1150 | |
| | | |
| | | |

SCHEMATIC:ELECTRICAL SPECIFICATION:

| | |
|--------------------------------|------------------|
| Rated input current | = 150Amps |
| Accuracy | = Class 1 |
| Operating Frequency | = 50 / 60Hz |
| Turns Ratio | = 1 : 2500 |
| DC Resistance | = 135 Ω |
| Primary to Secondary Isolation | = 4000VAC |
| Operating Temperature | = -40°C to +85°C |
| Output Voltage | = 1.98±1% @33 Ω |

MECHANICAL DIMENSIONS:Pin Side View:Front View:

Note : Pin#3 → Un-used Pin

MARKING INFORMATION:

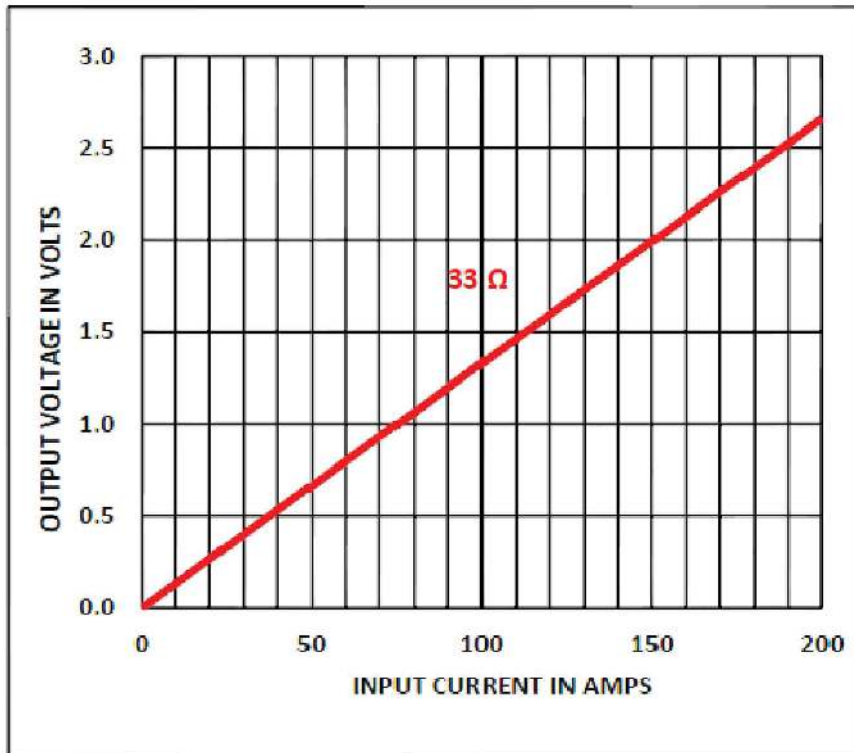
AMGIS
CCX-1150 ww/yy code

TRAFO WEIGHT:

Approx. Weight = 0.090 kg / pc

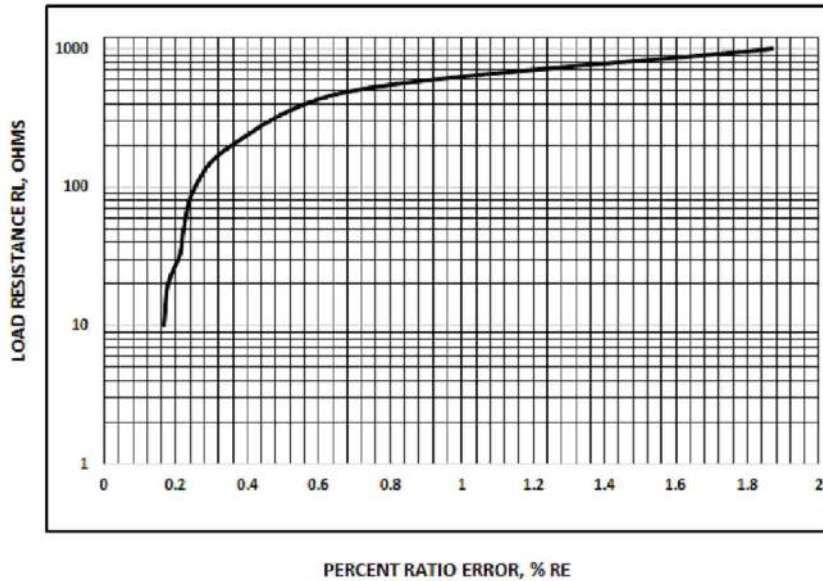
All dimensions are in mm
Linear dimensional tolerance
±0.2mm

OUTPUT RESPONSE Vs INPUT CURRENT @ RATED BURDEN: :



RATIO ERROR vs INPUT CURRENT @ RATED BURDEN:

%RE VS RL AT RATED PRIMARY CURRENT @150A/50HZ



| | | | | | |
|-------------------------|-------|-----|-----------|-----------|------------|
| | | | | | |
| -----Initial Issue----- | 1 | 000 | Perumal.M | J. Castro | 06-02-2018 |
| Changes | Issue | Rel | Prepared | Reviewed | Date |